

La vanne à papillon notre Best-Seller

Butterfly Valve, our Best-Seller

100%

SATISFACTION

GUARANTEE

Toutes les vannes sont
fabriquées, testées et
assemblées par Tecofi

All valves are
manufactured, tested
and assembled by Tecofi



VANNE À PAPILLON BUTTERFLY VALVE

TECFLY

VPI

16 > 37



VP APPLICATIONS SPÉCIALES
BV SPECIAL APPLICATIONS

43

VPG / VPE

38 > 42



VP DOUBLE BRIDE
BV DOUBLE FLANGED

44 > 45



KIT

TECFLY

26 > 37

TECFLY +
TECLARGE

57 > 64

TECLARGE + KIT

TECLARGE & KIT

46 > 64

TECWAT + KIT

TECWAT & KIT

65 > 81



GAMME CHIMIE (PTFE)

CHEMICAL RANGE

82 > 85

GAMME GAZ

GAS RANGE

86

GAMME INDUSTRIE

INDUSTRIAL RANGE

87 > 89

CONSEILS TECHNIQUES

TECHNICAL NOTES

90 > 93

TECFLY VPI

DN 32-300 - PN16

BOULONNERIE INOX A2

Anti-corrosion
Stainless steel A2 bolts and nuts
Resistant to corrosion

SÉCURITÉ ANTI EJECTION DE L'AXE

Par circlips
Blowout-proof stem by circlips

PALIER REVÊTUS + PTFE

Guidage parfait de l'axe
PTFE bearing
Perfect guiding of the shaft

DOUBLE ÉTANCHÉITÉ DE L'AXE

Par joint torique
Double sealing of stem
by O-ring

CONSTRUCTION DOUBLE AXES

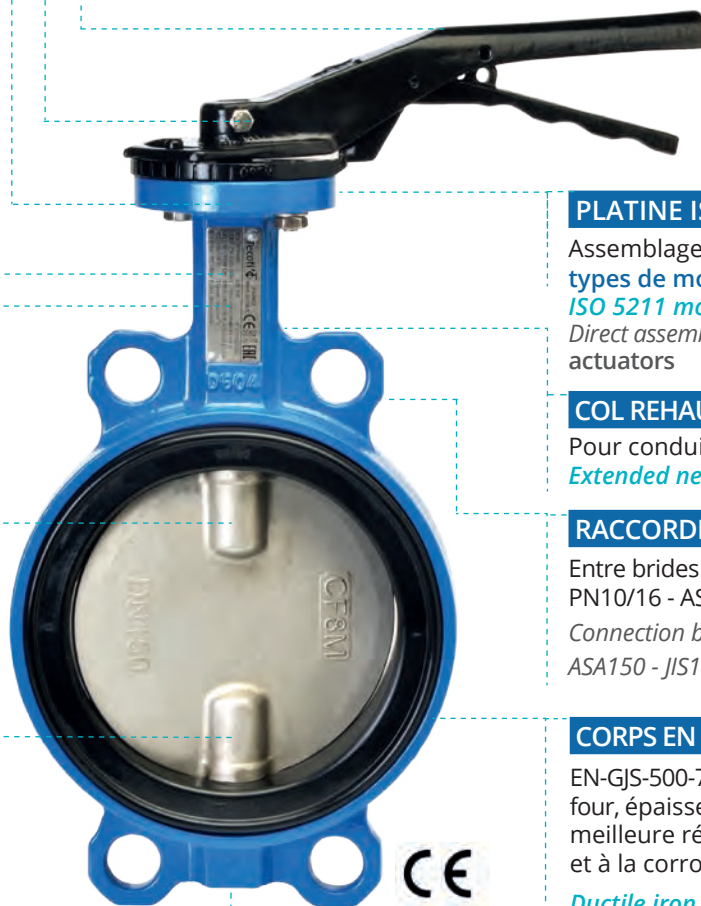
Papillon aminci qui réduit la perte de charge et le couple de manoeuvre
Double axis stem design
Thinner disc to lower head loss and reduce torque

AXE FACILEMENT EXTRACTIBLE

Easy disassembled stem

POIGNÉE TECOFI TRIPLE FONCTIONS

Secteur cranté en fonte ductile EN-GJS-400-15 (axe et ressort en Inox)
10 positions, cadennassable, possibilité de régulation fine. **Résistante et légère.**
Triple-use TECOFI handle (10-position notched locking quadrant, regulation function, and lockable) in ductile iron EN-GJS-400-15 (SS spring and pin).
Resistant and lightweight.



PLATINE ISO 5211

Assemblage direct avec tous types de motorisation
ISO 5211 mounting plate
Direct assembly with all types of actuators

COL REHAUSSÉ

Pour conduite calorifugée
Extended neck for insulated pipe

RACCORDEMENT

Entre brides
PN10/16 - ASA150 - JIS10K - GHOST
Connection between flanges PN10/16 ASA150 - JIS10K - GHOST

CORPS EN FONTE DUCTILE

EN-GJS-500-7 revêtu époxy, cuit au four, épaisseur mini 150µm, meilleure résistance mécanique et à la corrosion

Ductile iron EN-GJS-500-7 body epoxy coated, oven backed, with a 150µm minimum thickness, better mechanical and corrosion resistance

Conforme aux normes EN12266-1, DIN 3230, ISO 5208, CE
In accordance with EN12266-1, DIN 3230, ISO 5208, CE

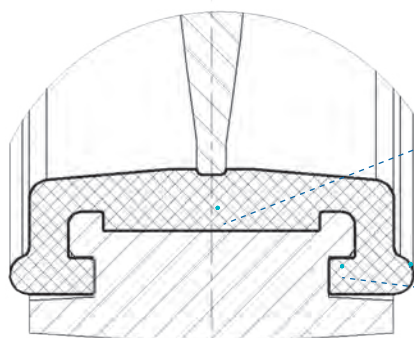


Manchette à talon d'appui
➔ assure une bonne étanchéité
The seat ensures a good seal



FIABILITÉ ET MAINTENANCE OPTIMISÉE
Reliability and optimized maintenance

MANCHETTE À TALON D'APPUI REMPLAÇABLE - MEILLEURE TENUE - COUPLE RÉDUIT
Replaceable and grooved seat - Better support - Lower torque



Montage sur tous types de brides *Installation on all types of flanges*

RENFORT de la partie centrale dans le corps qui évite tout glissement.

Reinforcement of the central part in the body, preventing any sliding.

BOSSAGES réalisés sur le diamètre extérieur de la manchette, facilitant l'étanchéité sur tous les types de brides.

Raised bosses on the outside perimeter of the sleeve, which facilitates the sealing on different types of flanges.

ERGOTS assurant un meilleur maintien entre brides.

Pin for better support between flanges.

GAMME TECFLY - DN32/40>DN300
 Tecfly butterfly valves range - DN32/40>DN300

VPI / VPG disponibles en version oreilles lisses ou taraudées / Available on Wafer and Lug type

VPI



VPG*



*Evolution de gamme !
 VPE jusqu'à épaisseur
 Range evolution!
 VPE while stocks last

VP DOUBLE BRIDE
DOUBLE FLANGED



VP APPLICATIONS SPÉCIALES
SPECIAL CONDITIONS

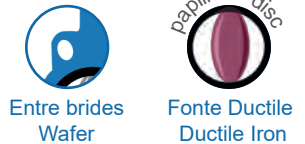


PN25

Acier Steel



Version réducteur
 Gearbox version



VPI4448-02

Poignée 3F | 3F Handle

Vanne à papillon wafer PN16 papillon fonte GS
 Wafer type butterfly valve PN16 ductile iron disc



Corps : Fonte ductile EN-GJS-500-7 (GGG50)
 Papillon : Fonte ductile EN-GJS-500-7 (GGG50)
 Raccordement : Entre brides oreilles lisses PN 10/16 - ASA 150 - JIS 10K
 Pression de service : 16 bar

Body: Ductile iron EN-GJS-500-7 (GGG50)
 Disc: Ductile iron EN-GJS-500-7 (GGG50)
 Connection: Wafer Type PN 10/16 - ASA 150 - JIS 10K
 Working pressure: 16 bar



ATEX sur demande / ATEX on request



DN		L (mm)	Kg	Manchette / Seat			
mm	inch			EPDM CH / Heat EPDM	NBR	FPM	SILICONE
			Ref.	Ref.	Ref.	Ref.	
32/40	1 1/2	32,5	2,00	VPI4448-02EP0040	VPI4448-02NI0040	VPI4448-02VI0040	VPI4448-02SI0040
50	2"	42,5	2,40	VPI4448-02EP0050	VPI4448-02NI0050	VPI4448-02VI0050	VPI4448-02SI0050
65	2 1/2	45,5	3,05	VPI4448-02EP0065	VPI4448-02NI0065	VPI4448-02VI0065	VPI4448-02SI0065
80	3"	45,5	3,60	VPI4448-02EP0080	VPI4448-02NI0080	VPI4448-02VI0080	VPI4448-02SI0080
100	4"	51,5	4,40	VPI4448-02EP0100	VPI4448-02NI0100	VPI4448-02VI0100	VPI4448-02SI0100
125	5"	55,5	6,40	VPI4448-02EP0125	VPI4448-02NI0125	VPI4448-02VI0125	VPI4448-02SI0125
150	6"	55,5	8,10	VPI4448-02EP0150	VPI4448-02NI0150	VPI4448-02VI0150	VPI4448-02SI0150
200	8"	59,5	14,20	VPI4448-02EP0200	VPI4448-02NI0200	VPI4448-02VI0200	VPI4448-02SI0200
250	10"	67,5	21,30	VPI4448-02EP0250	VPI4448-02NI0250	VPI4448-02VI0250	VPI4448-02SI0250
300	12"	77,5	28,20	VPI4448-02EP0300	VPI4448-02NI0300	VPI4448-02VI0300	VPI4448-02SI0300

Température de service : -15°C (-30°C pointe) +130°C (+150°C pointe)	Température de service : -10°C (-20°C pointe) +80°C (+90°C pointe)	Température de service : -10°C (-20°C pointe) +150°C (+150°C pointe)	Température de service : -20°C (-40°C pointe) +170°C (+200°C pointe)
Working temperature: -15°C (-30°C peak) +130°C (+150°C peak)	Working temperature: -10°C (-20°C peak) +80°C (+90°C peak)	Working temperature: -10°C (-20°C peak) +150°C (+150°C peak)	Working temperature: -20°C (-40°C peak) +170°C (+200°C peak)



VPI4448-08

Réducteur | Gearbox

Vanne à papillon wafer PN16 papillon fonte GS

Wafer type butterfly valve PN16 ductile iron disc



CE



Corps : Fonte ductile EN-GJS-500-7 (GGG50)
Papillon : Fonte ductile EN-GJS-500-7 (GGG50)
Raccordement : Entre brides oreilles lisses PN10/16 - ASA 150 - JIS 10K
Pression de service : 16 bar

Body: Ductile iron EN-GJS-500-7 (GGG50)
Disc: Ductile iron EN-GJS-500-7 (GGG50)
Connection: Wafer Type PN10/16 - ASA 150 - JIS 10K
Working pressure: 16 bar



ATEX sur demande / on request



Montage possible sur colonnette droite et murale. Voir pages 28-29

Valve adapted for pedestal floor and wall mounting. See on pages 28-29



Réducteur mécanique et options pages 26-27
Mechanical gearbox and options on pages 26-27



Les volants sont livrés démontés pour l'optimisation de l'envoi. Nous vous invitons à spécifier le montage du volant lors de votre commande si impératif (coût de montage en sus).
Handwheels are delivered disassembled for the optimization of the shipment.
Please contact us if it is imperative that the valve is shipped with handwheel assembled.



Vérin pneumatique seul pages 36-37
Pneumatic actuator on pages 36-37

VPI4448-N03 | VPI4448-N07

Vérin | Actuator

Vanne à papillon wafer PN16 papillon fonte GS

Wafer type butterfly valve PN16 ductile iron disc



CE

Modèle N03 (DE)
Model N03 (DA)

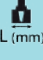


Corps : Fonte ductile EN-GJS-500-7 (GGG50)
Papillon : Fonte ductile EN-GJS-500-7 (GGG50)
Raccordement : Entre brides oreilles lisses PN10/16 - ASA 150 - JIS 10K
Pression de service : 16 bar
ΔP 16 bar

Body: Ductile iron EN-GJS-500-7 (GGG50)
Disc: Ductile iron EN-GJS-500-7 (GGG50)
Connection: Wafer Type PN10/16 - ASA 150 - JIS 10K
Working pressure: 16 bar
ΔP 16 bar



ATEX sur demande / ATEX on request

DN		 L (mm)	Manchette / Seat					
mm	inch		EPDM CH / Heat EPDM		NBR			
			Double effet / Double-Acting	Simple effet / Single-Acting	Double effet / Double-Acting	Simple effet / Single-Acting		
		Ref.	Kg	Ref.	Kg	Ref.	Ref.	
32/40	1"1/2	32,5	VPI4448-N03EP0040	3,1	VPI4448-N07EP0040	3,8	VPI4448-N03NI0040	VPI4448-N07NI0040
50	2"	42,5	VPI4448-N03EP0050	3,7	VPI4448-N07EP0050	4,4	VPI4448-N03NI0050	VPI4448-N07NI0050
65	2"1/2	45,5	VPI4448-N03EP0065	4,7	VPI4448-N07EP0065	6,3	VPI4448-N03NI0065	VPI4448-N07NI0065
80	3"	45,5	VPI4448-N03EP0080	5,1	VPI4448-N07EP0080	8,3	VPI4448-N03NI0080	VPI4448-N07NI0080
100	4"	51,5	VPI4448-N03EP0100	7,1	VPI4448-N07EP0100	10,8	VPI4448-N03NI0100	VPI4448-N07NI0100
125	5"	55,5	VPI4448-N03EP0125	9,1	VPI4448-N07EP0125	16,1	VPI4448-N03NI0125	VPI4448-N07NI0125
150	6"	55,5	VPI4448-N03EP0150	12,0	VPI4448-N07EP0150	25,0	VPI4448-N03NI0150	VPI4448-N07NI0150
200	8"	59,5	VPI4448-N03EP0200	21,8	VPI4448-N07EP0200	37,0	VPI4448-N03NI0200	VPI4448-N07NI0200
250	10"	67,5	VPI4448-N03EP0250	32,4	VPI4448-N07EP0250	57,4	VPI4448-N03NI0250	VPI4448-N07NI0250
300	12"	77,5	VPI4448-N03EP0300	47,3	VPI4448-N07EP0300	85,0	VPI4448-N03NI0300	VPI4448-N07NI0300
Température de service : -15°C (-30°C pointe) / +130°C (+150°C pointe)						Température de service : -10°C (-20°C pointe) / +80°C (+90°C pointe)		
Working temperature: -15°C (-30°C peak) / +130°C (+150°C peak)						Working temperature: -10°C (-20°C peak) / +80°C (+90°C peak)		

VPI4449-02

Poignée 3F | 3F Handle

Vanne à papillon wafer PN16 papillon inox
Wafer type butterfly valve PN16 Stainless steel disc



Corps : Fonte ductile EN-GJS-500-7 (GGG50)
Papillon : Inox CF8M (Inox 316)
Raccordement : Entre brides oreilles lisses PN10/16 - ASA 150 - JIS 10K
Pression de service : 16 bar

Body: Ductile iron EN-GJS-500-7 (GGG50)
Disc: Stainless steel CF8M (AISI 316)
Connection: Wafer Type PN10/16 - ASA 150 - JIS 10K
Working pressure: 16 bar



ATEX sur demande / ATEX on request

CE

DN		L (mm)	Kg	Manchette / Seat			
mm	inch			EPDM CH / Heat EPDM	NBR	FPM	SILICONE
				Ref.	Ref.	Ref.	Ref.
32/40	1"1/2	32,5	2,00	VPI4449-02EP0040	VPI4449-02NI0040	VPI4449-02VI0040	VPI4449-02SI0040
50	2"	42,5	2,40	VPI4449-02EP0050	VPI4449-02NI0050	VPI4449-02VI0050	VPI4449-02SI0050
65	2"1/2	45,5	3,05	VPI4449-02EP0065	VPI4449-02NI0065	VPI4449-02VI0065	VPI4449-02SI0065
80	3"	45,5	3,60	VPI4449-02EP0080	VPI4449-02NI0080	VPI4449-02VI0080	VPI4449-02SI0080
100	4"	51,5	4,40	VPI4449-02EP0100	VPI4449-02NI0100	VPI4449-02VI0100	VPI4449-02SI0100
125	5"	55,5	6,40	VPI4449-02EP0125	VPI4449-02NI0125	VPI4449-02VI0125	VPI4449-02SI0125
150	6"	55,5	8,10	VPI4449-02EP0150	VPI4449-02NI0150	VPI4449-02VI0150	VPI4449-02SI0150
200	8"	59,5	14,20	VPI4449-02EP0200	VPI4449-02NI0200	VPI4449-02VI0200	VPI4449-02SI0200
250	10"	67,5	21,30	VPI4449-02EP0250	VPI4449-02NI0250	VPI4449-02VI0250	VPI4449-02SI0250
300	12"	77,5	28,20	VPI4449-02EP0300	VPI4449-02NI0300	VPI4449-02VI0300	VPI4449-02SI0300

Température de service : -15°C (-30°C pointe) +130°C (+150°C pointe)	Température de service : -10°C (-20°C pointe) +80°C (+90°C pointe)	Température de service : -10°C (-20°C pointe) +150°C (+150°C pointe)	Température de service : -20°C (-40°C pointe) +170°C (+200°C pointe)
Working temperature: -15°C (-30°C peak) +130°C (+150°C peak)	Working temperature: -10°C (-20°C peak) +80°C (+90°C peak)	Working temperature: -10°C (-20°C peak) +150°C (+150°C peak)	Working temperature: -20°C (-40°C peak) +170°C (+200°C peak)



Optez pour la version WRAS / ACS, pour vos applications sur eau potable !
Order WRAS/ACS versions for your drinking water applications!



Température de service : -15°C + 85°C
Working temperature: -15°C + 85°C

DN		L (mm)	Kg	Manchette / Seat
mm	inch			EPDM WRAS / ACS
				Ref.
32/40	1"1/2	32,5	2,00	VPI4449-02EPA0040
50	2"	42,5	2,40	VPI4449-02EPA0050
65	2"1/2	45,5	3,05	VPI4449-02EPA0065
80	3"	45,5	3,60	VPI4449-02EPA0080
100	4"	51,5	4,40	VPI4449-02EPA0100
125	5"	55,5	6,40	VPI4449-02EPA0125
150	6"	55,5	8,10	VPI4449-02EPA0150
200	8"	59,5	14,20	VPI4449-02EPA0200
250	10"	67,5	21,30	VPI4449-02EPA0250
300	12"	77,5	28,20	VPI4449-02EPA0300



VPI4449-08

Réducteur | Gearbox

Vanne à papillon wafer PN16 papillon inox
Wafer type butterfly valve PN16 **Stainless steel disc**



Corps : Fonte ductile EN-GJS-500-7 (GGG50)
Papillon : Inox CF8M (Inox 316)
Raccordement : Entre brides oreilles lisses PN10/16 - ASA 150 - JIS 10K
Pression de service : 16 bar

Body: Ductile iron EN-GJS-500-7 (GGG50)
Disc: Stainless steel CF8M (AISI 316)
Connection: Wafer Type PN10/16 - ASA 150 - JIS 10K
Working pressure: 16 bar



ATEX sur demande / on request



DN		L (mm)	Kg
mm	inch		
32/40	1"1/2	32,5	5,30
50	2"	42,5	5,70
65	2"1/2	45,5	6,35
80	3"	45,5	6,90
100	4"	51,5	7,70
125	5"	55,5	9,80
150	6"	55,5	11,50
200	8"	59,5	23,20
250	10"	67,5	30,30
300	12"	77,5	37,20

		Manchette / Seat	
		EPDM CH / Heat EPDM	NBR
		Ref.	Ref.
		VPI4449-08EP0040	VPI4449-08NI0040
		VPI4449-08EP0050	VPI4449-08NI0050
		VPI4449-08EP0065	VPI4449-08NI0065
		VPI4449-08EP0080	VPI4449-08NI0080
		VPI4449-08EP0100	VPI4449-08NI0100
		VPI4449-08EP0125	VPI4449-08NI0125
		VPI4449-08EP0150	VPI4449-08NI0150
		VPI4449-08EP0200	VPI4449-08NI0200
		VPI4449-08EP0250	VPI4449-08NI0250
		VPI4449-08EP0300	VPI4449-08NI0300
		Température de service : -15°C (-30°C pointe) / +130°C (+150°C pointe)	Température de service : -10°C (-20°C pointe) / +80°C (+90°C pointe)
		Working temperature: -15°C (-30°C peak) / +130°C (+150°C peak)	Working temperature: -10°C (-20°C peak) / +80°C (+90°C peak)



Montage possible sur colonnette droite et murale. Voir pages 28-29
Valve adapted for pedestal floor and wall mounting. See on pages 28-29



Réducteur mécanique et options pages 26-27
Mechanical gearbox and options on pages 26-27



Les volants sont livrés démontés pour l'optimisation de l'envoi. Nous vous invitons à spécifier le montage du volant lors de votre commande si impératif (coût de montage en sus).
Handwheels are delivered disassembled for the optimization of the shipment.
Please contact us if it is imperative that the valve is shipped with handwheel assembled.

VPI4449-N03 | VPI4449-N07

Vérin | Actuator

Vanne à papillon wafer PN16 papillon inox
Wafer type butterfly valve PN16 **Stainless steel disc**



Corps : Fonte ductile EN-GJS-500-7 (GGG50)
Papillon : Inox CF8M
Raccordement : Entre brides oreilles lisses PN10/16 - ASA 150 - JIS 10K
Pression de service : 16 bar
ΔP 16 bar



ATEX sur demande / ATEX on request

Body: Ductile iron EN-GJS-500-7 (GGG50)
Disc: Stainless steel CF8M
Connection: Wafer Type PN10/16 - ASA 150 - JIS 10K
Working pressure: 16 bar
ΔP 16 bar



Vérin pneumatique seul pages 36-37
Pneumatic actuator on pages 36-37



Modèle N07 (SE)
Model N07 (SA)

DN		L (mm)	EPDM CH / Heat EPDM				NBR		
mm	inch		Double effet / Double-Acting		Simple effet / Single-Acting		Double effet / Double-Acting		
			Ref.	Kg	Ref.	Kg	Ref.	Ref.	
32/40	1"1/2	32,5	VPI4449-N03EP0040	3,1	VPI4449-N07EP0040	3,8	VPI4449-N03NI0040	VPI4449-N07NI0040	
50	2"	42,5	VPI4449-N03EP0050	3,7	VPI4449-N07EP0050	4,4	VPI4449-N03NI0050	VPI4449-N07NI0050	
65	2"1/2	45,5	VPI4449-N03EP0065	4,7	VPI4449-N07EP0065	6,3	VPI4449-N03NI0065	VPI4449-N07NI0065	
80	3"	45,5	VPI4449-N03EP0080	5,1	VPI4449-N07EP0080	8,3	VPI4449-N03NI0080	VPI4449-N07NI0080	
100	4"	51,5	VPI4449-N03EP0100	7,1	VPI4449-N07EP0100	10,8	VPI4449-N03NI0100	VPI4449-N07NI0100	
125	5"	55,5	VPI4449-N03EP0125	9,1	VPI4449-N07EP0125	16,1	VPI4449-N03NI0125	VPI4449-N07NI0125	
150	6"	55,5	VPI4449-N03EP0150	12,0	VPI4449-N07EP0150	25,0	VPI4449-N03NI0150	VPI4449-N07NI0150	
200	8"	59,5	VPI4449-N03EP0200	21,8	VPI4449-N07EP0200	37,0	VPI4449-N03NI0200	VPI4449-N07NI0200	
250	10"	67,5	VPI4449-N03EP0250	32,4	VPI4449-N07EP0250	57,4	VPI4449-N03NI0250	VPI4449-N07NI0250	
300	12"	77,5	VPI4449-N03EP0300	47,3	VPI4449-N07EP0300	85,0	VPI4449-N03NI0300	VPI4449-N07NI0300	
			Température de service : -15°C (-30°C pointe) / +130°C (+150°C pointe)				Température de service : -10°C (-20°C pointe) / +80°C (+90°C pointe)		
			Working temperature: -15°C (-30°C peak) / +130°C (+150°C peak)				Working temperature: -10°C (-20°C peak) / +80°C (+90°C peak)		



VANNE BUTTE

VPI4648-02

Poignée 3F | 3F Handle

Vanne à papillon oreilles taraudées PN16 papillon fonte GS
Lug type butterfly valve PN16 ductile iron disc



Corps : Fonte ductile EN-GJS-500-7 (GGG50)
Papillon : Fonte ductile EN-GJS-500-7 (GGG50)
Raccordement : Entre brides oreilles taraudées PN10 et PN16
Pression de service : 16 bar

Body: Ductile iron EN-GJS-500-7 (GGG50)
Disc: Ductile iron EN-GJS-500-7 (GGG50)
Connection: Lug Type PN10 and PN16
Working pressure: 16 bar



ATEX sur demande / ATEX on request

CE

DN		PN	L (mm)	Kg	Manchette / Seat			
mm	inch				EPDM CH / Heat EPDM	NBR	FPM	SILICONE
40	1 1/2	16	32,5	2,50	Ref.	Ref.	Ref.	Ref.
50	2"	16	42,5	3,10	Ref.	Ref.	Ref.	Ref.
65	2 1/2	16	45,5	3,70	Ref.	Ref.	Ref.	Ref.
80	3"	16	45,5	4,90	Ref.	Ref.	Ref.	Ref.
100	4"	16	51,5	6,00	Ref.	Ref.	Ref.	Ref.
125	5"	16	55,5	9,40	Ref.	Ref.	Ref.	Ref.
150	6"	16	55,5	10,50	Ref.	Ref.	Ref.	Ref.
200	8"	10 16	59,5	20,70	Ref.	Ref.	Ref.	Ref.
250	10"	10 16	67,5	27,80	Ref.	Ref.	Ref.	Ref.
300	12"	10 16	77,5	35,60	Ref.	Ref.	Ref.	Ref.

Température de service : -15°C (-30°C pointe) +130°C (+150°C pointe)	Température de service : -10°C (-20°C pointe) +80°C (+90°C pointe)	Température de service : -10°C (-20°C pointe) +150°C (+150°C pointe)	Température de service : -20°C (-40°C pointe) +170°C (+200°C pointe)
Working temperature: -15°C (-30°C peak) +130°C (+150°C peak)	Working temperature: -10°C (-20°C peak) +80°C (+90°C peak)	Working temperature: -10°C (-20°C peak) +150°C (+150°C peak)	Working temperature: -20°C (-40°C peak) +170°C (+200°C peak)

VPI4648-08

Réducteur | Gearbox

Vanne à papillon oreilles taraudées PN16 papillon fonte GS
Lug type butterfly valve PN16 ductile iron disc



Corps : Fonte ductile EN-GJS-500-7 (GGG50)
Papillon : Fonte ductile EN-GJS-500-7 (GGG50)
Raccordement : Entre brides oreilles taraudées PN10 et PN16
Pression de service : 16 bar

Body: Ductile iron EN-GJS-500-7 (GGG50)
Disc: Ductile iron EN-GJS-500-7 (GGG50)
Connection: Lug Type PN10 and PN16
Working pressure: 16 bar



ATEX sur demande / on request

CE

DN		PN	L (mm)	Kg	Manchette / Seat	
mm	inch				EPDM CH / Heat EPDM	NBR
40	1 1/2	16	32,5	4,93	Ref.	Ref.
50	2"	16	42,5	5,53	Ref.	Ref.
65	2 1/2	16	45,5	6,10	Ref.	Ref.
80	3"	16	45,5	7,30	Ref.	Ref.
100	4"	16	51,5	8,40	Ref.	Ref.
125	5"	16	55,5	11,80	Ref.	Ref.
150	6"	16	55,5	12,90	Ref.	Ref.
200	8"	10 16	59,5	23,02	Ref.	Ref.
250	10"	10 16	67,5	30,12	Ref.	Ref.
300	12"	10 16	77,5	37,92	Ref.	Ref.

Température de service : -15°C (-30°C pointe) +130°C (+150°C pointe)	Température de service : -10°C (-20°C pointe) +80°C (+90°C pointe)
Working temperature: -15°C (-30°C peak) +130°C (+150°C peak)	Working temperature: -10°C (-20°C peak) +80°C (+90°C peak)



Vanne adaptée aux montages avec colonnette droite et murale. Voir pages 28-29
Valve adapted for pedestal floor and wall mounting. See on pages 28-29



Les volants sont livrés démontés pour l'optimisation de l'envoi. Nous vous invitons à spécifier le montage du volant lors de votre commande si impératif (coût de montage en sus).
Handwheels are delivered disassembled for the optimization of the shipment. Please contact us if it is imperative that the valve is shipped with handwheel assembled.



Réducteur mécanique et options pages 26-27
Mechanical gearbox and options on pages 26-27

VPI4648-N03 | VPI4648-N07

Vérin | Actuator

Vanne à papillon oreilles taraudées PN16 papillon fonte GS
Lug type butterfly valve PN16 ductile iron disc



Corps : Fonte ductile EN-GJS-500-7 (GGG50)
Papillon : Fonte ductile EN-GJS-500-7 (GGG50)
Raccordement : Entre brides oreilles taraudées PN10 et PN16
Pression de service : 16 bar
 ΔP 16 bar

Body: Ductile iron EN-GJS-500-7 (GGG50)
Disc: Ductile iron EN-GJS-500-7 (GGG50)
Connection: Lug Type PN10 and PN16
Working pressure: 16 bar
 ΔP 16 bar



ATEX sur demande / ATEX on request



Vérin pneumatique seul pages 36-37
Pneumatic actuator pages 36-37



DN		PN	L (mm)	Manchette / Seat					
mm	inch			EPDM CH / Heat EPDM		NBR			
				Double effet / Double-Acting	Simple effet / Single-Acting	Double effet / Double-Acting	Simple effet / Single-Acting		
		Ref.	Kg	Ref.	Kg	Ref.	Ref.		
40	1 1/2	16	32,5	VPI4648-N03EP0040	3,5	VPI4648-N07EP0040	4,2	VPI4648-N03NI0040	VPI4648-N07NI0040
50	2"	16	42,5	VPI4648-N03EP0050	4,1	VPI4648-N07EP0050	4,8	VPI4648-N03NI0050	VPI4648-N07NI0050
65	2 1/2	16	45,5	VPI4648-N03EP0065	5,4	VPI4648-N07EP0065	7,0	VPI4648-N03NI0065	VPI4648-N07NI0065
80	3"	16	45,5	VPI4648-N03EP0080	6,5	VPI4648-N07EP0080	9,7	VPI4648-N03NI0080	VPI4648-N07NI0080
100	4"	16	51,5	VPI4648-N03EP0100	8,7	VPI4648-N07EP0100	12,4	VPI4648-N03NI0100	VPI4648-N07NI0100
125	5"	16	55,5	VPI4648-N03EP0125	12,2	VPI4648-N07EP0125	19,2	VPI4648-N03NI0125	VPI4648-N07NI0125
150	6"	16	55,5	VPI4648-N03EP0150	14,8	VPI4648-N07EP0150	27,8	VPI4648-N03NI0150	VPI4648-N07NI0150
200	8"	10	59,5	VPI4648-N03EP0200	28,4	VPI4648-N07EP0200	43,6	VPI4648-N03NI0200	VPI4648-N07NI0200
		16		VPI464816-N03EP0200		VPI464816-N07EP0200		VPI464816-N03NI0200	VPI464816-N07NI0200
250	10"	10	67,5	VPI4648-N03EP0250	40,2	VPI4648-N07EP0250	65,2	VPI4648-N03NI0250	VPI4648-N07NI0250
		16		VPI464816-N03EP0250		VPI464816-N07EP0250		VPI464816-N03NI0250	VPI464816-N07NI0250
300	12"	10	77,5	VPI4648-N03EP0300	56,4	VPI4648-N07EP0300	94,1	VPI4648-N03NI0300	VPI4648-N07NI0300
		16		VPI464816-N03EP0300		VPI464816-N07EP0300		VPI464816-N03NI0300	VPI464816-N07NI0300
Température de service : -15°C (-30°C pointe) / +130°C (+150°C pointe) Working temperature: -15°C (-30°C peak) / +130°C (+150°C peak)						Température de service : -10°C (-20°C pointe) / +80°C (+90°C pointe) Working temperature: -10°C (-20°C peak) / +80°C (+90°C peak)			



Montage en bout de ligne possible avec une contre-bride. Veuillez à serrer les boulons opposés en même temps et en croix.

End-of-line mounting possible with a flange. Make sure to tighten crosswise the opposite bolts at the same time.





VANNE BUTTE

VPI4649-02

Poignée 3F | 3F Handle

Vanne à papillon oreilles taraudées PN16 papillon inox
Lug type butterfly valve PN16 Stainless steel disc



Corps : Fonte ductile EN-GJS-500-7 (GGG50)
Papillon : Inox CF8M (Inox 316)
Raccordement : Entre brides oreilles taraudées PN10 et PN16
Pression de service : 16 bar

Body: Ductile iron EN-GJS-500-7 (GGG50)
Disc: Stainless steel CF8M (AISI 316)
Connection: Lug Type PN10 and PN16
Working pressure: 16 bar



ATEX sur demande / ATEX on request



DN		PN	L (mm)	Kg	Manchette / Seat			
mm	inch				EPDM CH / Heat EPDM	NBR	FPM	SILICONE
				Ref.	Ref.	Ref.	Ref.	
40	1 1/2	16	32,5	2,50	VPI4649-02EP0040	VPI4649-02NI0040	VPI4649-02VI0040	VPI4649-02SI0040
50	2"	16	42,5	3,10	VPI4649-02EP0050	VPI4649-02NI0050	VPI4649-02VI0050	VPI4649-02SI0050
65	2 1/2	16	45,5	3,70	VPI4649-02EP0065	VPI4649-02NI0065	VPI4649-02VI0065	VPI4649-02SI0065
80	3"	16	45,5	4,90	VPI4649-02EP0080	VPI4649-02NI0080	VPI4649-02VI0080	VPI4649-02SI0080
100	4"	16	51,5	6,00	VPI4649-02EP0100	VPI4649-02NI0100	VPI4649-02VI0100	VPI4649-02SI0100
125	5"	16	55,5	9,40	VPI4649-02EP0125	VPI4649-02NI0125	VPI4649-02VI0125	VPI4649-02SI0125
150	6"	16	55,5	10,50	VPI4649-02EP0150	VPI4649-02NI0150	VPI4649-02VI0150	VPI4649-02SI0150
200	8"	10	59,5	20,70	VPI4649-02EP0200	VPI4649-02NI0200	VPI4649-02VI0200	VPI4649-02SI0200
		16			VPI464916-02EP0200	VPI464916-02NI0200	VPI464916-02VI0200	VPI464916-02SI0200
250	10"	10	67,5	27,80	VPI4649-02EP0250	VPI4649-02NI0250	VPI4649-02VI0250	VPI4649-02SI0250
		16			VPI464916-02EP0250	VPI464916-02NI0250	VPI464916-02VI0250	VPI464916-02SI0250
300	12"	10	77,5	35,60	VPI4649-02EP0300	VPI4649-02NI0300	VPI4649-02VI0300	VPI4649-02SI0300
		16			VPI464916-02EP0300	VPI464916-02NI0300	VPI464916-02VI0300	VPI464916-02SI0300

Température de service : -15°C (-30°C pointe) +130°C (+150°C pointe)	Température de service : -10°C (-20°C pointe) +80°C (+90°C pointe)	Température de service : -10°C (-20°C pointe) +150°C (+150°C pointe)	Température de service : -20°C (-40°C pointe) +170°C (+200°C pointe)
Working temperature: -15°C (-30°C peak) +130°C (+150°C peak)	Working temperature: -10°C (-20°C peak) +80°C (+90°C peak)	Working temperature: -10°C (-20°C peak) +150°C (+150°C peak)	Working temperature: -20°C (-40°C peak) +170°C (+200°C peak)



Optez pour la version WRAS / ACS, pour vos applications sur eau potable !

Order WRAS/ACS versions for your drinking water applications!



Température de service : -15°C + 85°C
Working temperature: -15°C + 85°C

DN		PN	L (mm)	Kg	Manchette / Seat
mm	inch				EPDM WRAS / ACS
					Ref.
40	1 1/2	16	32,5	2,50	VPI4649-02EPA0040
50	2"	16	42,5	3,10	VPI4649-02EPA0050
65	2 1/2	16	45,5	3,70	VPI4649-02EPA0065
80	3"	16	45,5	4,90	VPI4649-02EPA0080
100	4"	16	51,5	6,00	VPI4649-02EPA0100
125	5"	16	55,5	9,40	VPI4649-02EPA0125
150	6"	16	55,5	10,50	VPI4649-02EPA0150
200	8"	10	59,5	20,70	VPI4649-02EPA0200
		16			VPI464916-02EPA0200
250	10"	10	67,5	27,80	VPI4649-02EPA0250
		16			VPI464916-02EPA0250
300	12"	10	77,5	35,60	VPI4649-02EPA0300
		16			VPI464916-02EPA0300



VPI4649-08

Réducteur | Gearbox

Vanne à papillon oreilles taraudées PN16 papillon inox
Lug type butterfly valve PN16 *Stainless steel disc*



Corps : Fonte ductile EN-GJS-500-7 (GGG50)
Papillon : Inox CF8M (Inox 316)
Raccordement : Entre brides oreilles taraudées PN10 et PN16
Pression de service : 16 bar

Body: Ductile iron EN-GJS-500-7 (GGG50)
Disc: Stainless steel CF8M (AISI 316)
Connection: Lug Type PN10 and PN16
Working pressure: 16 bar



ATEX sur demande / on request

DN		PN	L (mm)	Kg	Manchette / Seat	
mm	inch				EPDM CH / Heat EPDM	NBR
					Ref.	Ref.
40	1"1/2	16	32,5	4,93	VPI4649-08EP0040	VPI4649-08NI0040
50	2"	16	42,5	5,53	VPI4649-08EP0050	VPI4649-08NI0050
65	2"1/2	16	45,5	6,1	VPI4649-08EP0065	VPI4649-08NI0065
80	3"	16	45,5	7,3	VPI4649-08EP0080	VPI4649-08NI0080
100	4"	16	51,5	8,4	VPI4649-08EP0100	VPI4649-08NI0100
125	5"	16	55,5	11,8	VPI4649-08EP0125	VPI4649-08NI0125
150	6"	16	55,5	12,9	VPI4649-08EP0150	VPI4649-08NI0150
200	8"	10 16	59,5	23,02	VPI4649-08EP0200 VPI464916-08EP0200	VPI4649-08NI0200 VPI464916-08NI0200
250	10"	10 16	67,5	30,12	VPI4649-08EP0250 VPI464916-08EP0250	VPI4649-08NI0250 VPI464916-08NI0250
300	12"	10 16	77,5	37,92	VPI4649-08EP0300 VPI464916-08EP0300	VPI4649-08NI0300 VPI464916-08NI0300

Température de service : -15°C (-30°C pointe) +130°C (+150°C pointe)	Température de service : -10°C (-20°C pointe) +80°C (+90°C pointe)
Working temperature: -15°C (-30°C peak) +130°C (+150°C peak)	Working temperature: -10°C (-20°C peak) +80°C (+90°C peak)



Montage possible sur colonnette droite et murale. Voir pages 28-29

Valve adapted for pedestal floor and wall mounting. See on pages 28-29



Réducteur mécanique et options pages 26-27
Mechanical gearbox and options on pages 26-27



Les volants sont livrés démontés pour l'optimisation de l'envoi. Nous vous invitons à spécifier le montage du volant lors de votre commande si impératif (coût de montage en sus).
Handwheels are delivered disassembled for the optimization of the shipment.
Please contact us if it is imperative that the valve is shipped with handwheel assembled.

VPI4649-N03 | VPI4649-N07

Vérin | Actuator

Vanne à papillon oreilles taraudées PN16 papillon inox
Lug type butterfly valve PN16 *Stainless steel disc*



Corps : Fonte ductile EN-GJS-500-7 (GGG50)
Papillon : Inox CF8M
Raccordement : Entre brides oreilles taraudées PN10 et PN16
Pression de service : 16 bar
ΔP 16 bar

Body: Ductile iron EN-GJS-500-7 (GGG50)
Disc: Stainless steel CF8M
Connection: Lug Type PN10 and PN16
Working pressure: 16 bar
ΔP 16 bar



ATEX sur demande / ATEX on request



Vérin pneumatique seul pages 36-37
Pneumatic actuator pages 36-37



DN		PN	L (mm)	EPDM CH / Heat EPDM				NBR	
mm	inch			Double effet / Double-Acting		Simple effet / Single-Acting		Double effet / Double-Acting	Simple effet / Single-Acting
		Ref.		Kg		Ref.		Ref.	
40	1"1/2	16	32,5	VPI4649-N03EP0040	3,5	VPI4649-N07EP0040	4,2	VPI4649-N03NI0040	VPI4649-N07NI0040
50	2"	16	42,5	VPI4649-N03EP0050	4,1	VPI4649-N07EP0050	4,8	VPI4649-N03NI0050	VPI4649-N07NI0050
65	2"1/2	16	45,5	VPI4649-N03EP0065	5,4	VPI4649-N07EP0065	7,0	VPI4649-N03NI0065	VPI4649-N07NI0065
80	3"	16	45,5	VPI4649-N03EP0080	6,5	VPI4649-N07EP0080	9,7	VPI4649-N03NI0080	VPI4649-N07NI0080
100	4"	16	51,5	VPI4649-N03EP0100	8,7	VPI4649-N07EP0100	12,4	VPI4649-N03NI0100	VPI4649-N07NI0100
125	5"	16	55,5	VPI4649-N03EP0125	12,2	VPI4649-N07EP0125	19,2	VPI4649-N03NI0125	VPI4649-N07NI0125
150	6"	16	55,5	VPI4649-N03EP0150	14,8	VPI4649-N07EP0150	27,8	VPI4649-N03NI0150	VPI4649-N07NI0150
200	8"	10 16	59,5	VPI4649-N03EP0200 VPI464916-N03EP0200	28,4	VPI4649-N07EP0200 VPI464916-N07EP0200	43,6	VPI4649-N03NI0200 VPI464916-N03NI0200	VPI4649-N07NI0200 VPI464916-N07NI0200
250	10"	10 16	67,5	VPI4649-N03EP0250 VPI464916-N03EP0250	40,2	VPI4649-N07EP0250 VPI464916-N07EP0250	65,2	VPI4649-N03NI0250 VPI464916-N03NI0250	VPI4649-N07NI0250 VPI464916-N07NI0250
300	12"	10 16	77,5	VPI4649-N03EP0300 VPI464916-N03EP0300	56,4	VPI4649-N07EP0300 VPI464916-N07EP0300	94,1	VPI4649-N03NI0300 VPI464916-N03NI0300	VPI4649-N07NI0300 VPI464916-N07NI0300

Température de service : -15°C (-30°C pointe) / +130°C (+150°C pointe)	Température de service : -10°C (-20°C pointe) / +80°C (+90°C pointe)
Working temperature: -15°C (-30°C peak) / +130°C (+150°C peak)	Working temperature: -10°C (-20°C peak) / +80°C (+90°C peak)





Idéal eau de mer
Ideal for sea water



Bronze d'aluminium
Aluminium bronze

VANNE
BUTTE



Entre Brides
Wafer

VPI4442-02

Poignée 3F | 3F Handle

Vanne à papillon wafer PN16 papillon bronze d'aluminium
Wafer type butterfly valve PN16 aluminium bronze disc



Corps : Fonte ductile EN-GJS-500-7 (GGG50)
Papillon : Cu Al10 Ni5 Fe4
Raccordement : Entre brides oreilles lisses
PN10/16 - ASA 150 - JIS 10K
Pression de service : 16 bar

Body: Ductile iron EN-GJS-500-7 (GGG50)
Disc: Cu Al10 Ni5 Fe4
Connection: Wafer Type PN10/16 - ASA 150
JIS 10K
Working pressure: 16 bar

CE



ATEX sur demande / ATEX on request

DN		L (mm)	Kg	Manchette / Seat	
mm	inch			EPDM CH / Heat EPDM	NBR
				Ref.	Ref.
32/40	1"1/2	32,5	2,10	VPI4442-02EP0040	VPI4442-02NI0040
50	2"	42,5	2,70	VPI4442-02EP0050	VPI4442-02NI0050
65	2"1/2	45,5	3,10	VPI4442-02EP0065	VPI4442-02NI0065
80	3"	45,5	3,50	VPI4442-02EP0080	VPI4442-02NI0080
100	4"	51,5	4,40	VPI4442-02EP0100	VPI4442-02NI0100
125	5"	55,5	6,30	VPI4442-02EP0125	VPI4442-02NI0125
150	6"	55,5	7,75	VPI4442-02EP0150	VPI4442-02NI0150
200	8"	59,5	14,30	VPI4442-02EP0200	VPI4442-02NI0200
250	10"	67,5	20,55	VPI4442-02EP0250	VPI4442-02NI0250
300	12"	77,5	28,60	VPI4442-02EP0300	VPI4442-02NI0300

Température de service :
-15°C (-30°C pointe)
+130°C (+150°C pointe)

Working temperature:
-15°C (-30°C peak)
+130°C (+150°C peak)

Température de service :
-10°C (-20°C pointe)
+80°C (+90°C pointe)

Working temperature:
-10°C (-20°C peak)
+80°C (+90°C peak)

VPI4642-02

Poignée 3F | 3F Handle

Vanne à papillon oreilles taraudées PN16 papillon bronze d'aluminium
Lug type butterfly valve PN16 aluminium bronze disc



Corps : Fonte ductile EN-GJS-500-7 (GGG50)
Papillon : Cu Al10 Ni5 Fe4
Raccordement : Entre brides oreilles
Taraudées PN10 et PN16
Pression de service : 16 bar

Body: Ductile iron EN-GJS-500-7 (GGG50)
Disc: Cu Al10 Ni5 Fe4
Connection: Lug Type PN10 and PN16
Working pressure: 16 bar

CE



ATEX sur demande / ATEX on request



DN		PN	L (mm)	Kg	Manchette / Seat	
mm	inch				EPDM CH / Heat EPDM	NBR
				Ref.	Ref.	
40	1"1/2	16	32,5	2,50	VPI4642-02EP0040	VPI4642-02NI0040
50	2"	16	42,5	3,10	VPI4642-02EP0050	VPI4642-02NI0050
65	2"1/2	16	45,5	3,70	VPI4642-02EP0065	VPI4642-02NI0065
80	3"	16	45,5	4,90	VPI4642-02EP0080	VPI4642-02NI0080
100	4"	16	51,5	6,00	VPI4642-02EP0100	VPI4642-02NI0100
125	5"	16	55,5	9,40	VPI4642-02EP0125	VPI4642-02NI0125
150	6"	16	55,5	10,50	VPI4642-02EP0150	VPI4642-02NI0150
200	8"	10 16	59,5	20,70	VPI4642-02EP0200 VPI464216-02EP0200	VPI4642-02NI0200 VPI464216-02NI0200
250	10"	10 16	67,5	27,80	VPI4642-02EP0250 VPI464216-02EP0250	VPI4642-02NI0250 VPI464216-02NI0250
300	12"	10 16	77,5	35,60	VPI4642-02EP0300 VPI464216-02EP0300	VPI4642-02NI0300 VPI464216-02NI0300

Température de service :
-15°C (-30°C pointe)
+130°C (+150°C pointe)

Working temperature:
-15°C (-30°C peak)
+130°C (+150°C peak)

Température de service :
-10°C (-20°C pointe)
+80°C (+90°C pointe)

Working temperature:
-10°C (-20°C peak)
+80°C (+90°C peak)



KIT TECFLY

ACCESSOIRES, OPTIONS ET MOTORISATIONS
ACCESSORIES, OPTIONS AND ACTUATORS



POIGNEE INOX | STAINLESS STEEL HANDLE

Poignée Inox seule pour VPI
Stainless steel handle for VPI



Poignée avec secteur cranté tout Inox 304



Stainless Steel 304 handle with notched quadrant multi position

DN	mm		Ref.VPI
	mm	inch	
32/40-150	1"1/2-6"	VPIPOIGIN-040150	
200	8"	VPIPOIGIN-200	
250	10"	VPIPOIGIN-250	
300	12"	VPIPOIGIN-300	

CFC MECANIQUE XCKP 102 TELEMECANIQUE SCHNEIDER | TELEMECANIQUE SCHNEIDER XCKP 102 MECHANICAL LIMIT SWITCHES

Kit contact fin de course mécanique XCKP102 pour VPI à poignée
Mechanical limit switches kit XCKP102 for butterfly valve with lever



Composé de:
- Plaque support Inox 304
- 2 contacts XCKP102

Comprised of:
- Stainless steel support plate 304
- 2 contacts XCKP102



Plaque support à la commande, prévoir délais / Delay for support plate

DN	mm		Ref VPI	Ref VP PN25
	mm	inch		
32/40-100	1"1/2-4"	300180076	300180077	
125-150	5"-6"	300180077	300180077	
200-300	8"-12"	300180078	300180078	

CFC INDUCTIF IFS204 | INDUCTIVE DETECTOR IFS204

Kit contact fin de course inductif IFS204 pour VPI à poignée
Inductive sensor kit IFS204 for butterfly valve with lever



Composé de :
- Plaque support Inox 304
- Détecteur inductif connecteur M12
- Connecteur pré-cablé coudé femelle M12 Lg 2m

Comprised of:
- Stainless steel support plate 304
- Inductive detector M12
- Angle Female M12 connection pre-wired connector length 2m



**2 Contacts (ouvert et fermé)
2 Contacts (open/closed)**

DN	mm		Ref. VPI
	mm	inch	
32/40-100	1"1/2-4"	300140021	
125-150	5"-6"	300140022	
200-300	8"-12"	300160075	

BOITIER FIN DE COURSE / LIMIT SWITCH BOX

Kit boîtier fin de course sur équerre pour VPI à poignée
Limit switch box kit for butterfly valve with lever



Composé de :
- Plaque support Inox 304
- Boîtier fin de course IP68 pour vérin (modèle BTEFDC3)
- Entraîneur

Comprised of:
- Stainless steel support plate 304
- Limit switch IP68 (model BTEFDC3)
- Parts for limit switch box



**Boîtiers fin de course seuls pages 57-58
Complete range of limit switches box pages 57-58**

DN	mm		Ref. VPI
	mm	inch	
32/40-100	1"1/2-4"	300140012	
125-150	5"-6"	300140013	
200-300	8"-12"	300140014	

REDUCTEUR -08 | -08 GEARBOX

Réducteur mécanique pour vanne papillon Tecfly VPI
Gearbox for VPI Tecfly butterfly valve



Corps : Aluminium
Indicateur visuel de position

Body: Aluminium
Visual indicator position



**Livré avec vis, rondelle (A2)
Supplied with bolt, washer (A2)**



Les volants peuvent être livrés démontés pour l'optimisation de l'envoi. Nous vous invitons à spécifier le montage du volant lors de votre commande si impératif (coût de montage en sus).
Handwheels are delivered disassembled for the optimization of the shipment. Please contact us if it is imperative that the valve is shipped with handwheel assembled.

DN	mm		Kg	Ref. VPI
	mm	inch		
32/40-100	1"1/2-4"	3,23	300180030	
125-150	5"-6"	3,23	300180031	
200-300	8"-12"	3,90	300180032	



EN OPTION | OPTION

**Kit cadenassable pour réducteur Tecofi
Padlock kit for Tecofi gearbox**

Système de blocage du réducteur par cadenas composé de :
- Plaque de verrouillage
- Bague de verrouillage
- Cadenas

Padlock blocking system for gearbox, comprised of:
- Locking plate
- Locking ring
- Padlock

DN	mm		Ref. VPI
	mm	inch	
32/40-150	1"1/2-6"	300200107	
200-300	8"-12"	300200108	





VANNE BUTTE

CFC MECANIQUE XCKM115 TELEMECANIQUE SCHNEIDER | TELEMECANIQUE SCHNEIDER MECHANICAL LIMIT SWITCH XCKM 115

Kit contact fin de course mécanique XCKM115 pour VPI à réducteur
Mechanical limit switches kit XCKM115 for butterfly valve gearbox



Composé de :
- Plaque support Inox 304
- 2 contacts XCKM115

Comprised of:
- Stainless steel support plate 304
- 2 contacts XCKM115

DN		Ref.VPI
mm	inch	
32/40 - 150	1"1/2-6"	300180351
200 - 300	8"-12"	300180352



Plaque support à la commande, prévoir délais / Delay for support plate

BOITIER FIN DE COURSE | LIMIT SWITCH BOX

Kit boîtier fin de course pour VPI à réducteur
Limit switch kit for VPI butterfly valve gearbox



Composé de :
- Support VPNREDUCT Inox 304
- Boîtier fin de course IP68 (modèle BTEFDC3)
- Entraîneur

Comprised of:
- Support VPNREDUCT Stainless steel 304
- Limit switch box IP68 (model BTEFDC3)
- Coupling

DN		Ref. VPI
mm	inch	
32/40-150	1"1/2-6"	300190253
200-300	8"-12"	300190254



Boîtiers fin de course seuls pages 57-58
Complete range of limit switches box on pages 57-58

KIT VOLANT A CHAINE | CHAINWHEEL KIT

Volant à chaîne pour vanne à papillon VPI
Chainwheel for VPI butterfly valve



Prix à ajouter à la VPI à poignée / Montage sur VPNREDUCT
Price to add to the manual VPI / Mounting on VPNREDUCT

Composé de :
- Réducteur TECOFI (VPNREDUCT)
- Rallonge inox 304
- Volant fonte ductile
- Guide chaîne Inox 304

Comprised of:
- TECOFI Gearbox (VPNREDUCT)
- Stainless steel 304 extension
- Ductile iron handwheel
- Stainless steel 304 chain guide

DN		Ref.VPI
mm	inch	
32/40-100	1"1/2-4"	300190225
125-150	5"-6"	300190226
200-300	8"-12"	300190227

	Ref
Chaîne acier zingué Zinc steel chain	VGCHAINE-AC01
Chaîne Inox 316L Stainless steel 316L chain	VGCHAINE-IN01



Prix au mètre à rajouter au KIT
Price per meter to add to the KIT

VPIMANCHETTE | SLEEVE FOR VPI

Manchette pour vanne à papillon VPI
Sleeve for VPI butterfly valve



Interchangeabilité des manchettes sur VPI
.EP / NI

Interchangeable sleeve for the VPI
.EP / NI

DN		EPDM CH - T° max : 130°C	NBR - T° max : 80°C
mm	inch	Ref.	Ref.
40	1"1/2	VPIMANCHS1-EP0040	VPIMANCHS1-NI0040
50	2"	VPIMANCHS1-EP0050	VPIMANCHS1-NI0050
65	2"1/2	VPIMANCHS1-EP0065	VPIMANCHS1-NI0065
80	3"	VPIMANCHS1-EP0080	VPIMANCHS1-NI0080
100	4"	VPIMANCHS1-EP0100	VPIMANCHS1-NI0100
125	5"	VPIMANCHS1-EP0125	VPIMANCHS1-NI0125
150	6"	VPIMANCHS1-EP0150	VPIMANCHS1-NI0150
200	8"	VPIMANCHS1-EP0200	VPIMANCHS1-NI0200
250	10"	VPIMANCHS1-EP0250	VPIMANCHS1-NI0250
300	12"	VPIMANCHS1-EP0300	VPIMANCHS1-NI0300



Manchette facilement remplaçable sur la VPI, (type à talon d'appui) permettant le montage avec tous types de brides. Dovetail-shaped seat, allowing installation with all types of flanges.



KIT COLONNETTE DROITE POUR VPI*

PEDESTAL FLOOR MOUNTING KIT FOR VPI BUTTERFLY VALVES*

À VOLANT | WITH HANDWHEEL



VOL1

GUICOL

Plaqué de guidage
Support plate

COL3-F10

Colonnnette
Pedestal



U04 AUMA

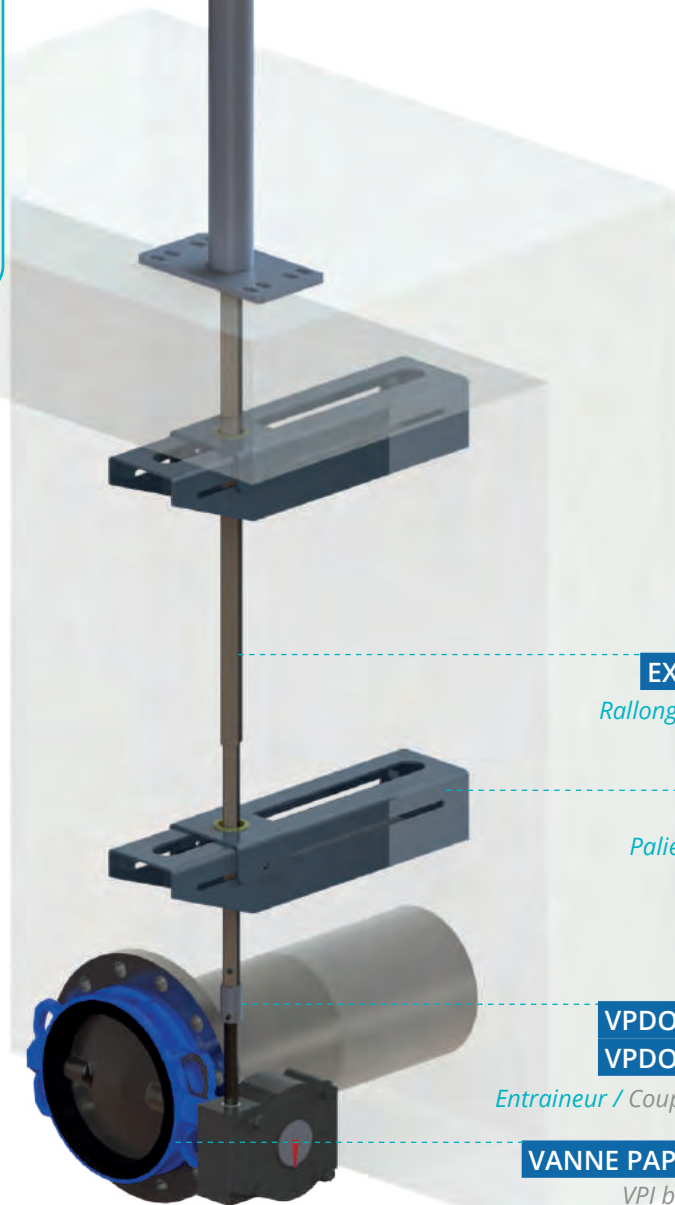
Actionneur
Actuator

F10AU1

Platine ISO
ISO Top Flange

COL3-F10

Colonnnette
Pedestal



EXT1/2/3/4/5

Rallonge / Extension

PAL2/3

Palier de guidage
Guide plate

VPDOUILLE0140

VPDOUILLE0141

Entraîneur / Coupling adapter

VANNE PAPILLON VPI

VPI butterfly valve



Kit à utiliser avec les
vannes à papillon
VPI à réducteur, type :
VPI4X4X-08

Kit to use with gearbox
Tecfly butterfly valves
VPI type:
VPI4X4X-08

Représentation à titre indicatif (contre-bridés et tirants non représentés, ils sont obligatoires dans toutes installations).
Representation for reference only (counter flanges and tie rods not shown are required in all installations).



KIT COLONNETTE MURALE POUR VPI*

PEDESTAL WALL MOUNTING KIT FOR VPI BUTTERFLY VALVES*

VANNE
BUTTE

À VOLANT | WITH HANDWHEEL



F10AU1
Platine ISO
ISO Top Flange

COL2-F10
Colonne
Pedestal



Kit à utiliser avec les
vannes à papillon
VPI à réducteur, type :
VPI4X4X-08

Kit to use with gearbox
Tecfly butterfly valves
VPI type:
VPI4X4X-08



La distance entre le mur et les colonnettes murales (COL1-COL2) n'est pas réglable, prévoir un déport avec le mur ou un système pour plaquer la colonnette à la bonne distance.

The distance between the wall and the wall column (COL1-COL2) is not adjustable, provide an offset with the wall or a system to place the column at the right distance.



Représentation à titre indicatif (contre-bridés et tirants non représentés, ils sont obligatoires dans toutes installations).
Representation for reference only (counter flanges and tie rods not shown are required in all installations).



TRINGLERIES POUR MONTAGE SUR COLONNETTE - VPI LINKAGE FOR PEDESTAL MOUNTED - VPI



ENTRAINEUR | COUPLING ADAPTER

Entraîneur femelle pour tige de rallonge (EXT)
Female coupling adapter for extension (EXT)



Matière : Inox 304

Material: Stainless Steel 304

DN	Ref.
40-150	VPDOUILLE0140 (F05/F07)
200-300	VPDOUILLE0141 (F10)

A monter sur axe de sortie du réducteur
To mount on output shaft of a pressure reducing valve

RALLONGE | EXTENSION

Rallonge télescopique
Telescopic extension



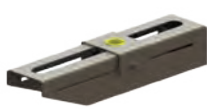
Matière : Inox 316L

Material: Stainless Steel 316L

Dimension (mm)	Ref.
800-1100	EXT1
1100-1750	EXT2
1750-3000	EXT3
3000-5500	EXT4
4000-8000	EXT5

PALIER DE GUIDAGE | GUIDE PLATE

Palier de guidage fixe pour rallonge télescopique EXT
Guide plate bearing for telescopic extension EXT



Matière : Inox 316L

Material: Stainless Steel 316L

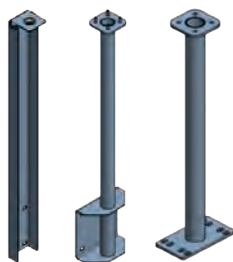
Dimension (mm)	Ref.
70-200	PAL2
70-500	PAL3



Mettre obligatoirement un palier tous les deux mètres + un autre avant le passage dans la colonnette.
Place one guide plate every two meters of the extension + one guide plate just before the pedestal floor.

COLONNETTE | PEDESTAL

Colonnette mécano-soudée pour vannes à papillon
Mechanically welded pedestal for butterfly valves



1

2

3



- COL1 : pour commande par volant et fixation murale
- COL2-F10 : pour commande motorisée et fixation murale
- COL3-F10 : pour fixation au sol

Matière : Inox 304
Hauteur fixe : 900mm

Pedestal wall mounted for handwheel
Pedestal wall mounted for Auma actuator
Pedestal floor mounted

Material: Stainless Steel 304
Fixed height: 900mm

Ref.
COL1
COL2-F10
COL3-F10

PLAQUE DE GUIDAGE | SUPPORT PLATE

Plaque de guidage pour colonnette fixation sol et commande par volant
Support plate for pedestal floor mounted handwheel



Matière : POM

Material: POM

Ref.
GUICOL



Permet de guider la rallonge
Used to guide the extension



A utiliser obligatoirement en cas de commande par volant sur colonnette COL3-F10.
To use only with handwheel operation on pedestal COL3-F10.



VOLANT I HANDWHEEL

Volant
Handwheel



Matière : Acier revêtu Epoxy
Diamètre : 300mm

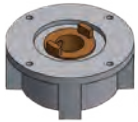
Material: Epoxy-coated carbon steel
Diameter: 300mm

Ref.
VOL1

Adaptable sur extension
Adaptable with extension

PLATINE ISO POUR MOTEUR I ISO TOP FLANGE FOR ACTUATOR

Platine pour moteur Auma
ISO top flange for Auma actuator



Matière : Fonte, écrou en bronze
Platine : ISO5210
Pour montage sur colonette

Material: Cast iron, bronze nut
Top mounting flange: ISO5210
For assembly on column

Ref.
F10AU1

Pour accouplement entre colonnette et moteur Auma
Coupling between the column and the Auma actuator

ACTIONNEUR U04 - MOTEUR VPI - COLONNETTE I AUMA ACTUATOR FOR VPI PEDESTAL MOUNTING

Motorisation Auma 3 phases 400V/50Hz On/Off
3-phase Auma actuator 400V/50Hz On/Off



Moteur équipé de :
- 2 contacts fin de course
- 1 résistance de chauffe
- 2 limiteurs de couple
Commande manuelle de secours
Indicateur visuel de position
Protection IP68

Actuator equipped with:
- 2 limit switches
- 1 heat resistor
- 2 torque limiters
Emergency handwheel
Visual position indicator
IP68 protection

DN	Ref.
32/40-300	SA07.2-U04B1TOR63





Voir guide technique pages 343 > 344
See technical guide on page 343 > 344

MOTEURS ÉLECTRIQUES | ELECTRIC ACTUATORS

Le type de moteur électrique doit être adapté aux conditions de service et aux bonnes préconisations.

Afin de bien choisir son moteur, il faut préciser :

- la pression de service et différentielle,
- l'environnement d'installation : température extérieure minimum et maximum, conditions d'installation, immersion permanente (milieu très humide, corrosif...)
- la nature du site : site industriel, site tertiaire, site nucléaire, site à risque (préciser le degré) ...
- les souhaits techniques de fonctionnement :
 - . couple de manoeuvre maximum requis - couple de régulation
 - . mouvement de la vanne : 1/4 tour - multi-tour - linéaire
 - . usinage de la noix (carré de 9, 11, 22, 27)
 - . éventuellement la dimension de la tige (pour vannes à tige montante)
 - . forme d'accouplement (forme A-B-C pour les multi-tour), usinage de douille (carré, méplat, alésage pour les 1/4 de tour)
- . tension d'alimentation
- . service moteur : tout ou rien, positionnement, régulation
- . temps de manoeuvre souhaité pour 1/4T - la vitesse de sortie pour multi-tour
- . bride de montage ISO de la vanne

Le débit dans la conduite peut augmenter le couple de manoeuvre.

The type of electric actuator must be adapted to working conditions and technical recommendations.

To choose the actuator type you need, you must specify the conditions:

- the maximum differential pressure,
- environmental conditions: minimum and maximum exterior temperatures, installation conditions (high humidity, corrosive environment, etc.)
- the type of site: industrial, nuclear, explosion risk etc.
- technical functioning conditions:
 - . maximum required operating torque - torque regulation
 - . direction or movement: quarter turn - multi-turn - linear
 - . nut machining (9, 11, 22, 27 square)
 - . stem dimensions (for valves with rising stems)
 - . connection form (A-B-C form for multi-turn)
 - . socket machining (square, flat, bored for 1/4 turn)
- . supply voltage
- . motor operation: on/off, positioning, regulation
- . operating time for 1/4 turn - output speed for multi-turn
- . valve ISO mounting plate

The flow rate in the pipe may raise the operating torque.



Tecofi
VALVE DESIGNER - FRANCE

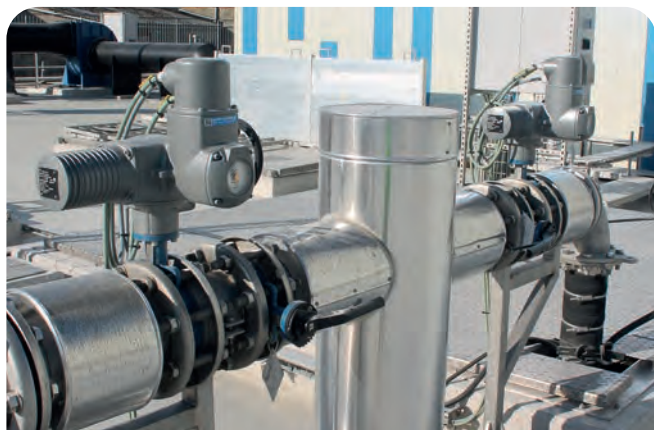


auma
SOLUTIONS FOR A SMART AUTOMATION

Nos partenaires
Our partners



BERNARD
CONTROLS



STEP | Eau | BELGIQUE
WWTP | Water | BELGIUM



DESALINISATION | Eau | EMIRATS ARABES UNIS
Desalination | Water | UAE

ACTIONNEUR ÉLECTRIQUE 1/4T

TECOFI ELECTRIC ACTUATOR 1/4T



VPI + VP PN25

VANNE
BUTTE

CE **Tecofi**
VALVE DESIGNER - FRANCE

CARACTÉRISTIQUES

- . Actionneur 1/4 de tour tout ou rien
- . Alimentation électrique 1PH 230V/50/60Hz ou 3PH 380V/50Hz/60Hz
- . Température de service : -30°C/+60°C

CHARACTERISTICS

- . Actuator for 1/4 turn valve
- . Power supply 1PH 230V/50/60Hz or 3PH 380V/50Hz/60Hz
- . Working temperature: -30°C/+60°C



AVANTAGES

- ✓ MEILLEUR RAPPORT QUALITE - PRIX
- ✓ LÉGER : boîtier aluminium
- ✓ COMPACT : faible encombrement
- ✓ COMPLET : indicateur de position, indice de protection IP67, 2 contacts fin de course SPDT ouverture/fermeture, butées mécaniques de fin de course réglables
- ✓ Commande manuelle de secours
- ✓ Résistance anti-condensation
- ✓ Protection thermique
- ✓ Indicateur visuel de position

ADVANTAGES

- ✓ BEST QUALITY-PRICE RATIO
- ✓ LIGHTWEIGHT : aluminum housing
- ✓ COMPACT
- ✓ FULLY EQUIPPED : position indicator, protection class IP67, 2 limit switches SPDT opening/closing, integrated heat resistance, mechanical stops
- ✓ Emergency manual control
- ✓ Condensation resistant
- ✓ Heat protection
- ✓ Visual position indicator



AGRÈMENTS ET NORMES

Fabrication répondant aux exigences de la directive européenne relative aux basses tensions : n° 2006/95/CE, la directive européenne machine n° 2006/42/CE, la directive européenne compatibilité électromagnétique n° 2004/108/CE.

AGREEMENTS AND STANDARDS

Manufactured according to the requirements of the European Directive «Low voltage» n° 2006/95/CE, the European Directive «Machinery» n° 2006/42/CE, and the European directive «Electromagnetic compatibility» n° 2004/108/CE.



Option boîtier de commande sur demande
Control box option on request

MOTEUR TECOFI N04 | N04 TECOFI ACTUATOR

Motorisation Tecofi TEA 3 phases 400V/50/60Hz On/Off

Tecofi electric actuator TEA 3-phase 400V/50/60Hz On/Off



Moteur équipé de :
- 2 contacts fin de course
- 1 résistance de chauffe
Commande manuelle de secours
Indicateur visuel de position
Protection IP67

Actuator equipped with:
- 2 limit switches
- 1 heat resistor
Emergency handwheel
Visual position indicator
IP67 protection

CE

Tecofi
VALVE DESIGNER - FRANCE

Triphasé | 3-phase

DN		VPI (ΔP 16 bar)		VP PN25 (ΔP 25 bar) NEW	
		Type	Ref.	Type	Ref.
32/40	1"1/2	TEA-05-N04	300180189	-	-
50	2"			TEA-05-N04	300190293
65	2"1/2			TEA-05-N04	300190294
80	3"	TEA-10-N04	300180190	TEA-05-N04	300190294
100	4"			TEA-20-N04	300190295
125	5"	TEA-20-N04	300180191	TEA-40-N04	300190296
150	6"	TEA-40-N04	300180192	TEA-60-N04	300190297
200	8"	TEA-60-N04	300180193	TEA-60-N04	300190297
250	10"			TEA-100-N04	300200082
300	12"				



Gamme VP PN25 page 43
VP PN25 range on page 43





VPI + PN25

MOTEUR N24 | N24 ACTUATOR

Monophasé | 1-phase

Kit motorisation TEA 1 phase 230V/50/60Hz On/Off
Kit electric actuator TEA 1-phase 230V/50/60Hz On/Off



Moteur équipé de :
- 2 contacts fin de course
- 1 résistance de chauffe
Commande manuelle de secours (avec clé hexagonale)
Indicateur visuel de position
Protection IP67

Actuator equipped with:
- 2 limit switches
- 1 heat resistor
Emergency handwheel (with hexagon key)
Visual position indicator
IP67 protection



DN		VPI (ΔP 16 bar)		VP PN25 (ΔP 25 bar) NEW	
		Type	Ref.	Type	Ref.
32/40	1"1/4	TEA-05-N24	300180194	-	-
	1"1/2				
50	2"	TEA-10-N24	300180195	TEA-05-N24	300190299
65	2"1/2				
80	3"				
100	4"	TEA-20-N24	300180196	TEA-10-N24	300190300
125	5"				
150	6"	TEA-40-N24	300180197	TEA-20-N24	300190301
200	8"				
250	10"	TEA-60-N24	300180198	TEA-40-N24	300190302
300	12"				
				TEA-60-N24	300190303
				TEA-100-N24	300200083

MOTEUR U04 | U04 ACTUATOR

Triphasé | 3-phase

Kit motorisation AUMA 3 phases 400V/50Hz On/Off
Electric actuator AUMA kit 3-phase 400V/50Hz On/Off



Moteur équipé de :
- 2 contacts fin de course
Commande manuelle de secours
Indicateur visuel de position
Protection IP67 (IP68 en option)
Embase ISO
Fonction tout ou rien

Actuator equipped with:
- 2 limit switches
Manual emergency operating handwheel
Visual position indicator
IP67 protection (option IP68)
ISO mounting plate
Function on-off

Modèle EQ / Model EQ



Pas de commande de secours, ni limiteur de couple sur modèle ED
No manual emergency control, nor torque limiter on ED model



ATEX sur demande / ATEX on request

DN		VPI (ΔP 16 bar)		VP PN25 (ΔP 25 bar) NEW	
		Type	Ref.	Type	Ref.
32/40	1"1/4	ED25	300180203	ED25	300200235
	1"1/2				
50	2"	ED50	300180205	ED40	300200236
65	2"1/2				
80	3"				
100	4"	EQ100	300180207	EQ100	300200238
125	5"				
150	6"	EQ150	300180211	EQ300	300200240
200	8"				
250	10"	EQ600	300180215	EQ600	300200242
300	12"				
				SQ12.2	300200243

MOTEUR U24 | U24 ACTUATOR

Monophasé | 1-phase

Kit motorisation AUMA 1 phase 230V/50Hz On/Off
Electric actuator AUMA kit 1-phase 230V/50Hz On/Off



Moteur équipé de :
- 2 contacts fin de course
Commande manuelle de secours
Indicateur visuel de position
Protection IP67 (IP68 en option)
Embase ISO
Fonction tout ou rien

Actuator equipped with:
- 2 limit switches
Manual emergency operating handwheel
Visual position indicator
IP67 protection (option IP68)
ISO mounting plate
Function on-off



Pas de commande de secours, ni limiteur de couple sur modèle ED
No manual emergency control, nor torque limiter on ED model



ATEX sur demande / ATEX on request

DN		VPI (ΔP 16 bar)	
		Type	Ref.
32/40	1"1/4	ED25	300180204
	1"1/2		
50	2"	ED50	300180206
65	2"1/2		
80	3"		
100	4"	EQ100	300180208
125	5"		
150	6"	EQ150	300180212
200	8"		
250	10"	EQ300	300180214
300	12"		
		EQ600	300180216

Motorisation monophasée pour modèle VP PN25 sur demande
1-phase motorization for model VP PN25 on request





VPI + PN25

VANNE BUTTE

MOTEUR B04 I B04 ACTUATOR

Triphasé I 3-phase

Kit motorisation Bernard Controls - modèle AQ 3 phases 400V/50Hz On/Off
Kit electric actuator Bernard Controls - AQ model 3-phases 400V/50Hz On/Off



- Moteur équipé de :
- 4 contacts fin de course
 - 1 résistance de chauffe
 - Commande manuelle de secours par volant
 - Indicateur visuel de position
 - Protection IP68
 - Embase ISO
 - Fonction tout ou rien



- Actuator equipped with:
- 4 limit switches
 - 1 heat resistor
 - Manual emergency operating handwheel
 - Visual position indicator
 - IP68 protection
 - ISO mounting flange
 - Function on-off

DN		VPI (ΔP 16 bar)		VP PN25 (ΔP 25 bar)	
mm	inch	Type	Ref.	Type	Ref.
32/40-80	1"1/4 3	AQ05	300190059	AQ5	300200050
100	4"	AQ10	300190060	AQ10	300200051
125	5"			AQ15	300200052
150	6"	AQ15	300190061	AQ25	300200053
200	8"	AQ25	300190062	AQ50	300200054
250	10"	AQ50	300190063		
300	12"	AQ80	300190219	AQ80	300200055



Limiteur de couple à partir du modèle AQ15
Torque limiter from the model AQ15 and above

MOTEUR B24 I B24 ACTUATOR

Monophasé I 1-phase

Kit motorisation Bernard Controls - modèle AQ 1 phase 230V/50Hz On/Off
Kit electric actuator Bernard Controls - AQ model 1-phase 230V/50Hz On/Off



- Moteur équipé de :
- 4 contacts fin de course
 - 1 résistance de chauffe
 - Commande manuelle de secours par volant
 - Indicateur visuel de position
 - Protection : IP68
 - Embase ISO
 - Fonction tout ou rien



- Actuator equipped with:
- 4 limit switches
 - 1 heat resistor
 - Manual emergency operating handwheel
 - Visual position indicator
 - IP68 protection
 - ISO mounting plate
 - Function on-off

DN		VPI (ΔP 16 bar)	
mm	inch	Type	Ref.
32/40-80	1"1/4 - 3"	AQ5	300190064
100	4"	AQ10	300190065
125	5"		
150	6"	AQ15	300190066
200	8"	AQ25	300190067
250	10"	AQ50	300190068
300	12"	AQ80	300190220



Limiteur de couple à partir du modèle AQ15
Torque limiter from the model AQ15 and above

Motorisation monophasée pour modèle VP PN25 sur demande
1-phase motorization for model VP PN25 on request

REDUCTEUR I MANUAL OVERRIDE DECLUTCHABLE GEAR

Réducteur débrayable I Declutchable gear

Réducteur débrayable et vérin pneumatique double effet pour VPI
Declutchable wormgear and double-acting pneumatic actuator for VPI



MOA30 à MOA310 : Fonte grise
MOA850 : Fonte GS
TDA : Aluminium

- Composé de :
- Actionneur pneumatique double effet
 - Réducteur manuel débrayable
 - Adaptateur carré
 - Vis, rondelle Inox A2



MOA30 up to MOA310: Cast Iron
MOA850: Ductile Iron
TDA: Aluminium

- Comprised of:
- Double-acting pneumatic actuator
 - Declutchable manual reduction gear
 - Square adapter
 - Stainless steel A2 bolts and nuts



Nous ne recommandons pas le montage de réducteur débrayable sur un vérin pneumatique simple effet (en position NO, possibilité en version position NF).
Les volants sont livrés démontés pour l'optimisation de l'envoi. Nous vous invitons à spécifier le montage du volant lors de votre commande si impératif (coût de montage en sus).

We do not recommend mounting the gearbox on a single-acting pneumatic actuator (NO position, NC version on request).
Handwheels are delivered disassembled for the optimization of the shipment. Please contact us if it is imperative that the valve is shipped with handwheel assembled.

DN		VPI	
mm	inch	Type	Ref.
32/40-80	1"1/4 1"1/2-3"	MOA30 + TDA63	300180220
100	4"	MOA30 + TDA83	300180221
125	5"	MOA30 + TDA83	300180223
150	6"	MOA30 + TDA92	300180225
200	8"	MOA70 + TDA125	300180226
250	10"	MOA70 + TDA140	300180227
300	12"	MOA70 + TDA160	300180228



ACTIONNEUR PNEUMATIQUE 1/4T

TECOFI PNEUMATIC ACTUATOR 1/4T



VPI + VP PN25

La motorisation pneumatique sert à manoeuvrer automatiquement des vannes grâce à de l'air comprimé. Le déplacement est obtenu en changeant la pression de l'air, ce qui crée ou arrête un mouvement.

Pneumatic motorization automatically actuates valves using compressed air. A change in air pressure creates the movement, either starting or stopping it.

Suivant votre application, vous devrez déterminer si vous avez besoin d'un vérin simple effet ou double effet. Ce qui différencie ces deux types de technologies est la façon dont le vérin parvient à revenir à sa position initiale. L'utilisation d'un ressort permet au vérin simple effet de revenir facilement à sa position. Le déplacement d'un vérin double effet dans un sens ou dans l'autre est quant à lui contrôlé par des pressions appliquées alternativement de chaque côté du piston.

Depending on the application, you can determine if you need a spring return or double-acting actuator. The difference between these two types of actuators is how they return to their initial position. The spring allows the spring return actuator to return easily to its initial position. While the movement of a double-acting actuator in either direction is controlled by pressure being applied to each side of the piston.

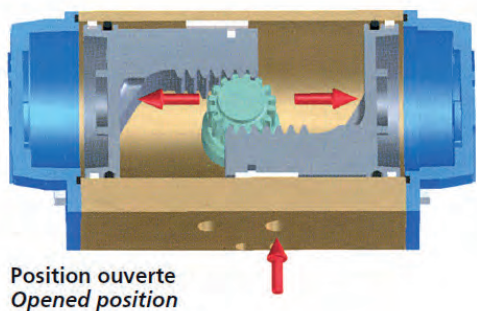
Voir option filtres lubrificateurs page 63 à monter à l'amont des actionneurs pour améliorer les mouvements du vérin et limiter la poussière et les impuretés dans l'air d'arrivée.

Strainer options on page 63 for mounting actuators upstream to improve cylinder movements and limit dust and impurities in the intake air.

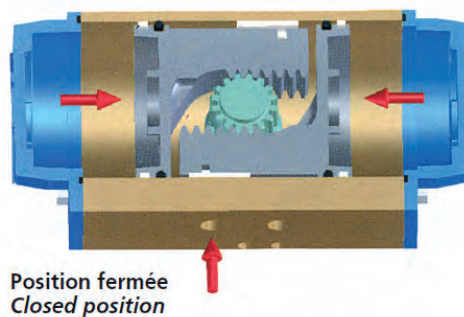


Double effet | Double-acting

Actionneurs préconisés pour une pression DELTA P de 10 bar et 25 bar (pour air moteur 6 bar), si pression de service dans la conduite différente, contactez le service commercial pour un chiffrage optimisé. Possibilité d'optimiser le choix de l'actionneur selon vos conditions d'utilisation (pression de service dans la conduite).
Actuators recommended for a DELTA P pressure of 10 and 25 bar. If the working pressure in the pipe is less than this, contact the sales team for a more precise quote. Possibility to choose an actuator more fitting to your conditions of use.



Vue de dessus
Top view



KIT DOUBLE EFFET N03 | N03 DOUBLE-ACTING KIT

Kit motorisation pneumatique double effet
Double-acting pneumatic actuator kit



Construction: Aluminium
Pression de service :
6 bar (air lubrifié)
Butées réglables
Livré avec came de position

Construction: Aluminium
Working pressure:
6 bar (lubricated air)
Stop bolt retaining nut
Supplied with position cam



ATEX ZONE 1 / 2 / 21 / 22

VPI (ΔP 16 bar)				VP PN25* (ΔP 25 bar) NEW			
DN		Type	Ref.	DN		Type	Ref.
mm	inch			mm	inch		
32/40-50	1"1/2-2"	TDA052	300160139	50/65	2-2"-2"1/2	TDA-063	300190284
65/80	2"1/2-3"	TDA063	300160140	80	2-3"	TDA-075	300190285
100	4"	TDA083	300160141	100	4"	TDA-083	300190286
125	5"	TDA083	300160142	125	5"	TDA-092	300190287
150	6"	TDA092	300160143	150	6"	TDA-105	300190288
200	8"	TDA125	300160144	200	8"	TDA-140	300190289
250	10"	TDA140	300160145	250	10"	TDA-160	300190290
300	12"	TDA160	300160146	300	12"	TDA-160	300190291



* Pour le PN25, nous préconisons l'installation d'un frein d'échappement sur l'électro distributeur (ref EDFREIN p.62) afin d'allonger le temps de manoeuvre de la vanne (et augmenter la durée de vie du vérin). For PN25, we recommend installing an exhaust brake on solenoid valves (ref EDFREIN p.62) to lengthen the valve's operating time (and increase the lifespan of the actuator).



Simple effet | Single-acting



Pour le même couple, le vérin simple effet sera plus gros car le couple nécessaire pour manoeuvrer la vanne doit pouvoir comprimer les ressorts.

For the same torque, a spring return actuator will be larger because the required torque to operate the valve has to be able to compress the springs.



- ✓ Simple à installer
- ✓ Idéal pour les zones ATEX (air comprimé : limite le risque d'explosion)
- ✓ Rapidité du mouvement d'exécution
- ✓ Assure un contrôle fluide de la vitesse
- ✓ GRAND NOMBRE DE CYCLES DE MANŒUVRE ASSURÉ =

GARANTIE DE FONCTIONNEMENT !

(Soyez sûr de la bonne qualité de votre air comprimé).

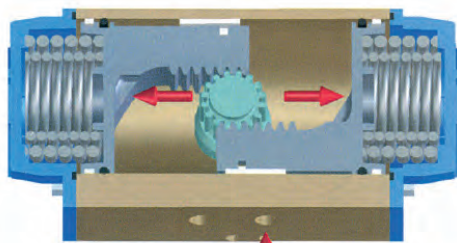
- ✓ Easy to install
- ✓ Ideal for ATEX zones (compressed air: reduced risk of explosion)
- ✓ Speed of execution
- ✓ Good speed control
- ✓ A HIGH NUMBER OF OPERATING CYCLES =

GARANTEED OPERATION!

(Ensure the good quality of your compressed air).

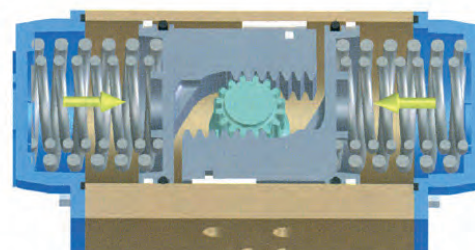


VPI + VP PN25



Position ouverte
Opened position

Vue de dessus
Top view



Position fermée
Closed position

KIT SIMPLE EFFET N07 | N07 SINGLE-ACTING KIT

Kit motorisation pneumatique simple effet
Single-acting pneumatic actuator kit



Construction: Aluminium
Pression de service : 6 bar (air lubrifié)
Butées réglables
Livré avec came de position

Construction: Aluminium
Working pressure: 6 bar (lubricated air)
Stop bolt retaining nut
Supplied with position cam



ATEX ZONE 1 / 2 / 21 / 22

VPI (ΔP 16 bar)				VP PN25* (ΔP 25 bar) NEW			
DN		Type	Ref.	DN		Type	Ref.
mm	inch			mm	inch		
32/40-50	1"1/2-2"	TSR063	300160147	32/40	1"1/4 / 1"1/2	TSR083	300190274
65	2"1/2	TSR083	300160148	50/65	2-2"-2"1/2	TSR083	300190275
80	3"	TSR092	300160149	80	3"	TSR105	300190276
100	4"	TSR105	300160150	100	4"	TSR125	300190277
125	5"	TSR125	300160151	125	5"	TSR140	300190278
150	6"	TSR140	300160152	150	6"	TSR160	300190279
200	8"	TSR160	300160153	200	8"	TSR190	300190280
250	10"	TSR190	300160154	250	10"	TSR210	300190281
300	12"	TSR210	300160155	300	12"	TSR270	300190282



* Pour le PN25, nous préconisons l'installation d'un frein d'échappement sur l'électrodistributeur (ref EDFREIN p.62) afin d'allonger le temps de manoeuvre de la vanne (et augmenter la durée de vie du vérin). For PN25, we recommend installing an exhaust brake on solenoid valves (ref EDFREIN p.62) to lengthen the valve's operating time (and increase the lifespan of the actuator).



Vérins simple effet / double effet avec butées réglables et came visuelle de position.
Single-acting / double-acting pneumatics actuators with adjustable limit stops and visual position cam.



Voir option **KIT DETECTEUR INDUCTIF** et autres **ACCESSOIRES** page 59.
See **INDUCTIVE DETECTOR** kit and other **ACCESSORIES** on page 59.



TECFLY VPG

DN 32/40-300 - PN16



SPÉCIAL GÉNIE CLIMATIQUE

MADE FOR HVAC

TECOFI lance la remplaçante de la VPE : la **VPG**.

Cette vanne conçue pour le marché du **génie climatique** offre le meilleur rapport qualité-prix du marché !

TECOFI launches the substitute for the VPE: the VPG. This valve is designed for the HVAC market and offers the best value for money!



Génie climatique/ HVAC



CORPS EN FONTE DUCTILE EN-GJS-400 -15 (GGG40)

Body material

Ductile iron EN-GJS-400-15 (GGG40)

PEINTURE EPOXY

Revêtement époxy poudre épaisseur mini 150µm

Epoxy coated

Powder epoxy coating with minimum 150µm thickness

CONSTRUCTION SIMPLE AXE

Type centerline, axe traversant,
acier Inoxydable AISI 410

Single stem design

Centerline type, shaft in stainless steel AISI 410

MANCHETTE PERFORMANTE

Manchette EPDM CH pour une large plage de T°:
-15°C (-30°C pointe) / + 130°C (+ 150°C pointe)

Quality seat

HEAT EPDM seat ensures a large range of T° applications:
-15°C (-30°C peak) / + 130°C (+ 150°C peak)



POIGNEE MONOBLOC

Secteur acier revêtu époxy
Visserie de la poignée SS201
Poignée alu DN40-150
Poignée fonte GS DN200-300

Monobloc lever

Epoxy-coated steel quadrant
Stainless steel SS201 nuts
Aluminium handle DN40-150
Ductile iron handle DN200-300

GAMME COMPLETE

Raccordement entre brides
PN10/16 - ASA150 - JIS10K
DN32/40 au DN300
Oreilles lisses ou oreilles taraudées

Complete range

Between flanges
PN10/16 - ASA150 - JIS10K connection
DN32/40 to DN300
Wafer or lug model



Conforme aux exigences de tests de pression EN12266-1. Ecartement NF EN 558 série 20
Hydraulic test according to EN12266-1. Face to face according to NF EN 558 SERIE 20



Voir réducteur page 40
See gearbox on page 40



VPG4448-02

Vanne à papillon entre brides PN16
Wafer type butterfly valve PN16

Poignée | Handle

**BIENTÔT DISPONIBLE
COMING SOON**



CE



Corps : Fonte ductile EN-GJS-400-15 (GGG40)
Papillon : Fonte ductile EN-GJS-400-15 (GGG40)
revêtement nickelé
Raccordement : Entre brides PN10/16
ASA150Lbs - JIS10K
Pression de service max : 16 bar

Body: Ductile iron EN-GJS-400-15 (GGG40)
Disc: Ductile iron EN-GJS-400-15 (GGG40)
nickel plated
Connection: Between flanges PN10/16
ASA150Lbs - JIS10K
Maximum working pressure: 16 bar



ATEX sur demande / ATEX on request

DN		PN	L (mm)	Kg	Manchette / Seat	
mm	inch				EPDM CH Heat EPDM	NBR
					Ref.	Ref.
32/40	1"1/4 /1"1/2	16	33	1,6	VPG4448-02EP0040	VPG4448-02NI0040
50	2"	16	43	2,10	VPG4448-02EP0050	VPG4448-02NI0050
65	2"1/2	16	45	2,5	VPG4448-02EP0065	VPG4448-02NI0065
80	3"	16	45	3	VPG4448-02EP0080	VPG4448-02NI0080
100	4"	16	52	4,7	VPG4448-02EP0100	VPG4448-02NI0100
125	5"	16	56	6	VPG4448-02EP0125	VPG4448-02NI0125
150	6"	16	56	7,3	VPG4448-02EP0150	VPG4448-02NI0150
200	8"	16	60	12,9	VPG4448-02EP0200	VPG4448-02NI0200
250	10"	16	68	19	VPG4448-02EP0250	VPG4448-02NI0250
300	12"	16	78	30	VPG4448-02EP0300	VPG4448-02NI0300

Température de service :
-15°C (-30°C pointe)
+130°C (+150°C pointe)

Working temperature:
-15°C (-30°C peak)
+130°C (+150°C peak)

Température de service :
-10°C (-20°C pointe)
+80°C (+90°C pointe)

Working temperature:
-10°C (-20°C peak)
+80°C (+90°C peak)

VPG4648-02

Vanne à papillon oreilles taraudées PN16
Lug type butterfly valve PN16

Poignée | Handle



**BIENTÔT DISPONIBLE
COMING SOON**



CE



Corps : Fonte ductile EN-GJS-400-15 (GGG40)
Papillon : Fonte ductile EN-GJS-400-15 (GGG40)
revêtement nickelé
Raccordement : Oreilles taraudées PN10 ou PN16
Pression de service max : 16 bar

Body: Ductile iron EN-GJS-400-15 (GGG40)
Disc: Ductile iron EN-GJS-400-15 (GGG40)
nickel plated
Connection: Lug type PN10 or PN16
Maximum working pressure: 16 bar



ATEX sur demande / ATEX on request

DN		PN	L (mm)	Kg	Manchette / Seat	
mm	inch				EPDM CH Heat EPDM	NBR
					Ref.	Ref.
32/40	1"1/4 /1"1/2	16	33	2,7	VPG4648-02EP0040	VPG4648-02NI0040
50	2"	16	43	3	VPG4648-02EP0050	VPG4648-02NI0050
65	2"1/2	16	45	3,5	VPG4648-02EP0065	VPG4648-02NI0065
80	3"	16	45	4,6	VPG4648-02EP0080	VPG4648-02NI0080
100	4"	16	52	6,6	VPG4648-02EP0100	VPG4648-02NI0100
125	5"	16	56	8,5	VPG4648-02EP0125	VPG4648-02NI0125
150	6"	16	56	10,4	VPG4648-02EP0150	VPG4648-02NI0150
200	8"	16	60	17,2	VPG4608-02EP0200 VPG4648-02EP0200	VPG4608-02NI0200 VPG4648-02NI0200
250	10"	16	68	28,2	VPG4608-02EP0250 VPG4648-02EP0250	VPG4608-02NI0250 VPG4648-02NI0250
300	12"	16	78	44	VPG4608-02EP0300 VPG4648-02EP0300	VPG4608-02NI0300 VPG4648-02NI0300

Température de service :
-15°C (-30°C pointe)
+130°C (+150°C pointe)

Working temperature:
-15°C (-30°C peak)
+130°C (+150°C peak)

Température de service :
-10°C (-20°C pointe)
+80°C (+90°C pointe)

Working temperature:
-10°C (-20°C peak)
+80°C (+90°C peak)



Montage en bout de ligne possible avec une contre-bride. Veillez à serrer les boulons opposés en même temps et en croix.

End-of-line mounting possible with a flange. Make sure to tighten crosswise the opposite bolts at the same time.





VPG



VPG4449-02

Poignée | Handle



Vanne à papillon entre brides PN16
Wafer type butterfly valve PN16

**BIENTÔT DISPONIBLE
COMING SOON**



Corps : Fonte ductile EN-GJS-400-15 (GGG40)
Papillon : Acier Inoxydable A351 CF8M
Raccordement : Entre brides PN10/16
ASA150Lbs - JIS10K
Pression de service max : 16 bar

Body: Ductile iron EN-GJS-400-15 (GGG40)
Disc: Stainless steel A351 CF8M
Connection: Between flanges PN10/16
ASA150Lbs - JIS10K
Maximum working pressure: 16 bar



ATEX sur demande / ATEX on request

				Manchette / Seat	
DN		L (mm)	Kg	EPDM CH Heat EPDM	NBR
mm	inch			Ref.	Ref.
32/40	1"1/4 /1"1/2	33	1,6	VPG4449-02EP0040	VPG4449-02NI0040
50	2"	43	2,10	VPG4449-02EP0050	VPG4449-02NI0050
65	2"1/2	45	2,5	VPG4449-02EP0065	VPG4449-02NI0065
80	3"	45	3	VPG4449-02EP0080	VPG4449-02NI0080
100	4"	52	4,7	VPG4449-02EP0100	VPG4449-02NI0100
125	5"	56	6	VPG4449-02EP0125	VPG4449-02NI0125
150	6"	56	7,3	VPG4449-02EP0150	VPG4449-02NI0150
200	8"	60	12,9	VPG4449-02EP0200	VPG4449-02NI0200
250	10"	68	19	VPG4449-02EP0250	VPG4449-02NI0250
300	12"	78	30	VPG4449-02EP0300	VPG4449-02NI0300

Température de service :
-15°C (-30°C pointe)
+130°C (+150°C pointe)
Working temperature:
-15°C (-30°C peak)
+130°C (+150°C peak)

Température de service :
-10°C (-20°C pointe)
+80°C (+90°C pointe)
Working temperature:
-10°C (-20°C peak)
+80°C (+90°C peak)

VPG4649-02

Poignée | Handle



Vanne à papillon oreilles taraudées PN16
Lug type butterfly valve PN16

**BIENTÔT DISPONIBLE
COMING SOON**



Corps : Fonte ductile EN-GJS-400-15 (GGG40)
Papillon : Acier Inoxydable A351 CF8M
Raccordement : Oreilles taraudées PN10 ou PN16
Pression de service max : 16 bar

Body: Ductile iron EN-GJS-400-15 (GGG40)
Disc: Stainless steel A351 CF8M
Connection: Lug type PN10 or PN16
Maximum working pressure: 16 bar



ATEX sur demande / ATEX on request

**Montage en bout de ligne possible avec
une contre-bride. Veillez à serrer les boulons
opposés en même temps et en croix.**

**End-of-line mounting possible with a
flange. Make sure to tighten the opposite bolts at
the same time and crosswise.**

				Manchette / Seat		
DN		PN	L (mm)	Kg	EPDM CH Heat EPDM	NBR
mm	inch				Ref.	Ref.
32/40	1"1/4 /1"1/2	16	33	2,7	VPG4649-02EP0040	VPG4649-02NI0040
50	2"	16	43	3	VPG4649-02EP0050	VPG4649-02NI0050
65	2"1/2	16	45	3,5	VPG4649-02EP0065	VPG4649-02NI0065
80	3"	16	45	4,6	VPG4649-02EP0080	VPG4649-02NI0080
100	4"	16	52	6,6	VPG4649-02EP0100	VPG4649-02NI0100
125	5"	16	56	8,5	VPG4649-02EP0125	VPG4649-02NI0125
150	6"	16	56	10,4	VPG4649-02EP0150	VPG4649-02NI0150
200	8"	10 16	60	17,2	VPG4609-02EP0200 VPG4649-02EP0200	VPG4609-02NI0200 VPG4649-02NI0200
250	10"	10 16	68	28,2	VPG4609-02EP0250 VPG4649-02EP0250	VPG4609-02NI0250 VPG4649-02NI0250
300	12"	10 16	78	44	VPG4609-02EP0300 VPG4649-02EP0300	VPG4609-02NI0300 VPG4649-02NI0300

Température de service :
-15°C (-30°C pointe)
+130°C (+150°C pointe)
Working temperature:
-15°C (-30°C peak)
+130°C (+150°C peak)

Température de service :
-10°C (-20°C pointe)
+80°C (+90°C pointe)
Working temperature:
-10°C (-20°C peak)
+80°C (+90°C peak)

REDUCTEUR -08 | -08 GEARBOX

Réducteur | Gearbox

Réducteur mécanique pour vanne papillon Tecfly VPG
Gearbox for Tecfly VPG butterfly valve



Corps : Aluminium
Indicateur visuel de position

Body: Aluminium
Visual indicator position



**Livré avec vis, rondelle (A2)
Supplied with bolt, ring (A2)**



Les volants peuvent être livrés démontés pour l'optimisation de l'envoi. Nous vous invitons à spécifier le montage du volant lors de votre commande si impératif (coût de montage en sus).
Handwheels are delivered disassembled for the optimization of the shipment. Please contact us if it is imperative that the valve is shipped with handwheel assembled.

DN		Kg	Ref. VPI
mm	inch		
32/40-100	1"1/2-4"	3,23	300180030
125-150	5"-6"	3,23	300180031
200-300	8"-12"	3,90	300180032





**JUSQU'À ÉPUISEMENT DES STOCKS
WHILE STOCKS LAST**



VANNE BUTTE

VPE3448-02 | VPE4448-02

Poignée 3F | Handle



Vanne à papillon entre brides PN16
Wafer type butterfly valve PN16



**JUSQU'À ÉPUISEMENT DES STOCKS
WHILE STOCKS LAST**

Corps :
DN 40-150 : Fonte EN-GJL-250 (GG25)
DN>150 : Fonte ductile EN-GJS-400-15 (GGG40)
Papillon : Fonte ductile EN-GJS-400-15 (GGG40)
Raccordement : Entre brides PN10/16
ASA150Lbs - JIS10K - GHOST
Pression de service max : 16 bar

Body:
DN 40-150 : Cast iron EN-GJL-250 (GG25)
DN>150 : Ductile iron EN-GJS-400-15 (GGG40)
Disc: Ductile iron EN-GJS-400-15 (GGG40)
Connection: Between flanges PN10/16
ASA150Lbs - JIS10K - GHOST
Maximum working pressure: 16 bar



DN		PN	L (mm)	Kg	Manchette / Seat	
mm	inch				EPDM CH Heat EPDM	NBR
					Ref.	Ref.
32/40	1"1/2	16	33	2,32	VPE3448-02EP0040	VPE3448-02NI0040
50	2"	16	43	2,90	VPE3448-02EP0050	VPE3448-02NI0050
65	2"1/2	16	46	3,46	VPE3448-02EP0065	VPE3448-02NI0065
80	3"	16	46	3,65	VPE3448-02EP0080	VPE3448-02NI0080
100	4"	16	52	4,56	VPE3448-02EP0100	VPE3448-02NI0100
125	5"	16	56	7,00	VPE3448-02EP0125	VPE3448-02NI0125
150	6"	16	56	8,60	VPE3448-02EP0150	VPE3448-02NI0150
200	8"	16	60	15,30	VPE4448-02EP0200	VPE4448-02NI0200
250	10"	16	68	22,10	VPE4448-02EP0250	VPE4448-02NI0250
300	12"	16	78	32,70	VPE4448-02EP0300	VPE4448-02NI0300

Température de service :
-15°C (-30°C pointe)
+130°C (+150°C pointe)

Working temperature:
-15°C (-30°C peak)
+130°C (+150°C peak)

Température de service :
-10°C (-20°C pointe)
+80°C (+90°C pointe)

Working temperature:
-10°C (-20°C peak)
+80°C (+90°C peak)

VPE3648-02 | VPE4648-02

Poignée 3F | Handle



Vanne à papillon oreilles taraudées PN16
Lug type butterfly valve PN16



**JUSQU'À ÉPUISEMENT DES STOCKS
WHILE STOCKS LAST**

Corps :
DN 40-150 : Fonte EN-GJL-250 (GG25)
DN>150 : Fonte ductile EN-GJS-400-15 (GGG40)
Papillon : Fonte ductile EN-GJS-400-15 (GGG40)
Raccordement : Entre brides oreilles taraudées
PN10 ou PN16
Pression de service max : 16 bar

Body:
DN 40-150 : Cast iron EN-GJL-250 (GG25)
DN>150 : Ductile iron EN-GJS-400-15 (GGG40)
Disc: Ductile iron EN-GJS-400-15 (GGG40)
Connection: Lug type PN10 or PN16
Maximum working pressure: 16 bar



DN		PN	L (mm)	Kg	Manchette / Seat	
mm	inch				EPDM CH Heat EPDM	NBR
					Ref.	Ref.
32/40	1"1/2	16	33	2,70	VPE3648-02EP0040	VPE3648-02NI0040
50	2"	16	43	3,50	VPE3648-02EP0050	VPE3648-02NI0050
65	2"1/2	16	46	4,26	VPE3648-02EP0065	VPE3648-02NI0065
80	3"	16	46	4,79	VPE3648-02EP0080	VPE3648-02NI0080
100	4"	16	52	6,3	VPE3648-02EP0100	VPE3648-02NI0100
125	5"	16	56	9,6	VPE3648-02EP0125	VPE3648-02NI0125
150	6"	16	56	10,58	VPE3648-02EP0150	VPE3648-02NI0150
200	8"	10 16	60	19	VPE4648-02EP0200 VPE464816-02EP0200	VPE4648-02NI0200 VPE464816-02NI0200
250	10"	10 16	68	28,40	VPE4648-02EP0250 VPE464816-02EP0250	VPE4648-02NI0250 VPE464816-02NI0250
300	12"	10 16	78	43,42	VPE4648-02EP0300 VPE464816-02EP0300	VPE4648-02NI0300 VPE464816-02NI0300

Température de service :
-15°C (-30°C pointe)
+130°C (+150°C pointe)

Working temperature:
-15°C (-30°C peak)
+130°C (+150°C peak)

Température de service :
-10°C (-20°C pointe)
+80°C (+90°C pointe)

Working temperature:
-10°C (-20°C peak)
+80°C (+90°C peak)





JUSQU'À ÉPUISEMENT DES STOCKS
WHILE STOCKS LAST



VPE3449-02 | VPE4449-02

Poignée 3F | Handle

Vanne à papillon entre brides PN16
Wafer type butterfly valve PN16



**JUSQU'À ÉPUISEMENT DES STOCKS
WHILE STOCKS LAST**

Corps :
DN 40-150 : Fonte EN-GJL-250 (GG25)
DN > 150 : Fonte ductile EN-GJS-400-15 (GGG40)
Papillon : Inox 316
Raccordement : Entre brides PN10/16
ASA150Lbs - JIS10K
Pression de service max : 16 bar

Body:
DN 40-150 : Cast iron EN-GJL-250 (GG25)
DN > 150 : Ductile iron EN-GJS-400-15 (GGG40)
Disc: Stainless steel 316
Connection: Between flanges PN10/16
ASA150Lbs - JIS10K
Maximum working pressure: 16 bar



ATEX sur demande / on request

DN		PN	L (mm)	Kg	Manchette / Seat	
mm	inch				EPDM CH Heat EPDM	NBR
					Ref.	Ref.
32/40	1"1/2	33	33	2,30	VPE3449-02EP0040	VPE3449-02NI0040
50	2"	43	43	2,86	VPE3449-02EP0050	VPE3449-02NI0050
65	2"1/2	46	46	3,40	VPE3449-02EP0065	VPE3449-02NI0065
80	3"	46	46	3,60	VPE3449-02EP0080	VPE3449-02NI0080
100	4"	52	52	4,50	VPE3449-02EP0100	VPE3449-02NI0100
125	5"	56	56	6,96	VPE3449-02EP0125	VPE3449-02NI0125
150	6"	56	56	8,50	VPE3449-02EP0150	VPE3449-02NI0150
200	8"	60	60	15,00	VPE4449-02EP0200	VPE4449-02NI0200
250	10"	68	68	21,80	VPE4449-02EP0250	VPE4449-02NI0250
300	12"	78	78	32,38	VPE4449-02EP0300	VPE4449-02NI0300

Température de service : -15°C (-30°C pointe) +130°C (+150°C pointe) Working temperature: -15°C (-30°C peak) +130°C (+150°C peak)	Température de service : -10°C (-20°C pointe) +80°C (+90°C pointe) Working temperature: -10°C (-20°C peak) +80°C (+90°C peak)
--	--



VPE3649-02 | VPE4649-02

Poignée 3F | Handle

Vanne à papillon oreilles taraudées PN16
Lug type butterfly valve PN16



**JUSQU'À ÉPUISEMENT DES STOCKS
WHILE STOCKS LAST**

Corps :
DN 40-150 : Fonte EN-GJL-250 (GG25)
DN > 150 : Fonte ductile EN-GJS-400-15 (GGG40)
Papillon : Inox 316
Raccordement : Entre brides oreilles
taraudées PN10 ou PN16
Pression de service max : 16 bar

Body:
DN 40-150 : Cast iron EN-GJL-250 (GG25)
DN > 150 : Ductile iron EN-GJS-400-15 (GGG40)
Disc: Stainless steel 316
Connection: Lugs type PN10 or PN16
Maximum working pressure: 16 bar



ATEX sur demande / on request

DN		PN	L (mm)	Kg	Manchette / Seat	
mm	inch				EPDM CH Heat EPDM	NBR
					Ref.	Ref.
40	1"1/2	16	33	2,64	VPE3649-02EP0040	VPE3649-02NI0040
50	2"	16	43	3,46	VPE3649-02EP0050	VPE3649-02NI0050
65	2"1/2	16	46	4,20	VPE3649-02EP0065	VPE3649-02NI0065
80	3"	16	46	4,74	VPE3649-02EP0080	VPE3649-02NI0080
100	4"	16	52	6,24	VPE3649-02EP0100	VPE3649-02NI0100
125	5"	16	56	9,56	VPE3649-02EP0125	VPE3649-02NI0125
150	6"	16	56	10,48	VPE3649-02EP0150	VPE3649-02NI0150
200	8"	10	60	18,70	VPE4649-02EP0200 VPE464916-02EP0200	VPE4649-02NI0200 VPE464916-02NI0200
250	10"	10	68	28,10	VPE4649-02EP0250 VPE464916-02EP0250	VPE4649-02NI0250 VPE464916-02NI0250
300	12"	10	78	43,10	VPE4649-02EP0300 VPE464916-02EP0300	VPE4649-02NI0300 VPE464916-02NI0300

Température de service : -15°C (-30°C pointe) +130°C (+150°C pointe) Working temperature: -15°C (-30°C peak) +130°C (+150°C peak)	Température de service : -10°C (-20°C pointe) +80°C (+90°C pointe) Working temperature: -10°C (-20°C peak) +80°C (+90°C peak)
--	--

VP4458-02 | VP4458-08 | VP4458-N03 | VP4458-N07

PN25



Vanne à papillon entre brides PN25
Wafer type butterfly valve PN25

Idéal pour stations de pompage / réseau incendie
Ideal for pumping stations / fire network



Poignée -02 jusqu'au DN150
Handle -02 up to DN150



Corps : Fonte EN-GJS-400-15 (GGG40)
Papillon : Fonte EN-GJS-400-15 (GGG40) nickelé
Manchette : EPDM chaleur
Raccordement : Entre brides oreilles lisses PN25
Pression de service : 25 bar
Température de service :
-15°C/+130°C (-30°C/+150°C pointe)
Manoeuvre : DN50-150 : Levier
DN200-300 : Réducteur

Body: Ductile iron EN-GJS-400-15 (GGG40)
Disc: Ductile iron EN-GJS-400-15 (GGG40) nickel-plated
Seat: Heat EPDM
Connection: Wafer type PN25
Working pressure: 25 bar
Working temperature:
-15°C/+130°C (-30°C/+150°C peak)
Operator: DN50-150: Lever
DN200-300: Gearbox

DN		L (mm)	Kg	Poignée / Handle	
mm	inch			Ref.	
50	2"	43	3,50	VP4458-02EP0050	
65	2 1/2"	46	4,40	VP4458-02EP0065	
80	3"	46	5,20	VP4458-02EP0080	
100	4"	52	6,80	VP4458-02EP0100	
125	5"	56	8,80	VP4458-02EP0125	
150	6"	56	10,80	VP4458-02EP0150	

DN		L (mm)	Kg	Réducteur* / Gearbox	
mm	inch			Ref.	
200	8"	60	23,20	VP4458-08EP0200	
250	10"	68	30,00	VP4458-08EP0250	
300	12"	78	49,30	VP4458-08EP0300	

*Les volants peuvent être livrés démontés pour l'optimisation de l'envoi. Nous vous invitons à spécifier le montage du volant lors de votre commande si impératif (coût de montage en sus).
The steering wheels can be delivered disassembled for the optimization of the shipment. Please contact us if it is imperative that the valve is shipped with handwheel assembled.



Réducteur -08 à partir du DN200
Gearbox -08 from DN200



Vérin N03 / N07
Actuator

DN		L (mm)	Kg	Vérin / Actuator	
mm	inch			Ref.	
				Double effet / Double-acting	Simple effet / Single-acting
				Ref.	
50	2"	43	5,53	VP4458-N03EP0050	VP4458-N07EP0050
65	2 1/2"	46	7,53	VP4458-N03EP0065	VP4458-N07EP0065
80	3"	46	9,80	VP4458-N03EP0080	VP4458-N07EP0080
100	4"	52	13,57	VP4458-N03EP0100	VP4458-N07EP0100
125	5"	56	17,70	VP4458-N03EP0125	VP4458-N07EP0125
150	6"	56	24,05	VP4458-N03EP0150	VP4458-N07EP0150
200	8"	60	43,34	VP4458-N03EP0200	VP4458-N07EP0200
250	10"	68	61,30	VP4458-N03EP0250	VP4458-N07EP0250
300	12"	78	96,10	VP4458-N03EP0300	VP4458-N07EP0300

NEW

Kit motorisation pour VP PN25 pages 33>35
Actuator kit for VP PN25 on pages 33>35

NEW

Vérin pneumatique seul pour VP PN25 pages 36-37
Pneumatic actuator on pages 36-37

VP5445S-02 | VP5445S-08

Acier | Steel



Vanne à papillon entre brides acier PN10/16/ASA150
Wafer steel butterfly valve PN10/16/ASA150



Modèle réducteur manuel à volant -08
Manual gearbox model with handwheel -08



Corps : Acier A216 WCB
Papillon : Acier A216 WCB revêtu époxy
Manchette : EPDM chaleur
Raccordement : Entre brides PN10/16 ASA150Lbs
Pression de service : 16 bar
Température de service : -15°C / +130°C (-30°C / +150°C pointe)
Manoeuvre : DN50-150 : Levier
DN200-300 : Réducteur

Body: Carbon steel A216 WCB
Disc: Steel A216 WCB epoxy coated
Seat: Heat EPDM
Connection: Wafer type PN10/16 ASA150Lbs
Working pressure: 16 bar
Working temperature: -15°C / +130°C (-30°C / +150°C peak)
Operator: DN50-150 : Lever
DN200-300 : Gearbox

DN		L (mm)	Kg	Poignée / Handle	
mm	inch			Ref.	
50	2"	42	2,15	VP5445S-02EP0050	
65	2 1/2"	44,7	2,70	VP5445S-02EP0065	
80	3"	45,2	3,10	VP5445S-02EP0080	
100	4"	52	5,10	VP5445S-02EP0100	
125	5"	54,4	6,45	VP5445S-02EP0125	
150	6"	55,8	8,15	VP5445S-02EP0150	

DN		L (mm)	Kg	Réducteur* / Gearbox*	
mm	inch			Ref.	
200	8"	60,6	21,00	VP5445S-08EP0200	
250	10"	65,6	27,00	VP5445S-08EP0250	
300	12"	76,9	37,00	VP5445S-08EP0300	



Corps acier idéal pour réseaux incendie.
Carbon steel body ideal for fire prevention and extinction networks.

Nous consulter pour motorisation / Please consult us for actuator assembly
*Les volants peuvent être livrés démontés pour l'optimisation de l'envoi. Nous vous invitons à spécifier le montage du volant lors de votre commande si impératif (coût de montage en sus).
The steering wheels can be delivered disassembled for the optimization of the shipment. Please contact us if it is imperative that the valve is shipped with handwheel assembled.





**VANNE DOUBLE BRIDE EN U
DOUBLE "U" FLANGED VALVE**



Nouvelle gamme: raccordement double bride corps en U série 20 **New range with double U-flanged connection, series 20**

- ✓ La tolérance définie par les 2 brides permet un positionnement correct et rapide.
 - ✓ Montage facile et manipulations de maintenance optimisées.
 - ✓ Construction simple et compacte, opération marche-arrêt rapide.
 - ✓ Faible couple de manœuvre, économie d'énergie.
 - ✓ Construction 100% étanche.
 - ✓ Axe de manœuvre acier Inoxydable 410.
 - ✓ Longue durée de vie, fiabilité.
- ✓ The tolerance defined by the 2 flanges allows correct and fast positioning.
 - ✓ Easy assembly and optimized maintenance operations.
 - ✓ Simple and compact construction, quick 90° on-off operation.
 - ✓ Minimized operating torque, energy saving.
 - ✓ 100% Watertight design.
 - ✓ Shaft in Stainless steel 410.
 - ✓ Long service life.

ACS Version ACS, sur demande / ACS version on request



Fonte ductile | Ductile Iron

VP4548A | VP4508A

Vanne à papillon double bride PN10/16
Ductile iron double flanged butterfly valve PN10/16



Corps et papillon : Fonte ductile EN-GJS-400-15 (GGG40) / papillon nickelé
Manchette : EPDM chaleur
Raccordement : Double bride PN10 ou PN16
Pression de service max : 16 bar
Température de service : -15°C/+130°C (-30°C/+150°C pointe)

Body and Disc: Ductile iron EN-GJS-400-15 GGG40 / nickel-plated disc
Sleeve: Heat EPDM
Connection: Flanged U type PN10 or PN16
Max working pressure: 16 bar
Working temperature: -15°C/+130°C (-30°C/+150°C peak)

DN		L (mm)	Kg	PN	Poignée / Handle	Réducteur / Gearbox
mm	inch				Ref.	Ref.
50	2"	43	5,3	16	VP4548A-02EP0050	VP4548A-08EP0050
65	2 1/2"	46	5,9	16	VP4548A-02EP0065	VP4548A-08EP0065
80	3"	46	6,6	16	VP4548A-02EP0080	VP4548A-08EP0080
100	4"	52	9,5	16	VP4548A-02EP0100	VP4548A-08EP0100
125	5"	56	10,8	16	VP4548A-02EP0125	VP4548A-08EP0125
150	6"	56	13,4	16	VP4548A-02EP0150	VP4548A-08EP0150
200	8"	60	26,2	10	VP4508A-02EP0200	VP4508A-08EP0200
250	10"	68	31,9	16	VP4508A-02EP0250	VP4508A-08EP0250
300	12"	78	51,5	16	VP4508A-02EP0300	VP4508A-08EP0300



Nous consulter pour motorisation / Please consult us for actuator assembly



Fonte ductile | Ductile Iron

VP4538-02 | VP4538-08

Vanne à papillon double bride - ASA 150
Ductile iron double flanged butterfly valve - ASA 150



Corps et papillon : Fonte ductile EN-GJS-400-15 (GGG40) / papillon nickelé
Manchette : EPDM chaleur
Raccordement : Double bride ASA 150
Pression de service max : 16 bar
Température de service : -15°C/+130°C (-30°C/+150°C pointe)

Body and Disc: Ductile iron EN-GJS-400-15 GGG40 / nickel-plated disc
Sleeve: Heat EPDM
Connection: Flanged U type ASA 150
Max working pressure: 16 bar
Working temperature: -15°C/+130°C (-30°C/+150°C peak)

DN		L (mm)	Kg	Poignée / Handle	Réducteur / Gearbox
mm	inch			Ref.	Ref.
50	2"	43	5,4	VP4538-02EP0050	VP4538-08EP0050
65	2 1/2"	46	5,7	VP4538-02EP0065	VP4538-08EP0065
80	3"	46	6,9	VP4538-02EP0080	VP4538-08EP0080
100	4"	52	9,8	VP4538-02EP0100	VP4538-08EP0100
125	5"	56	11,1	VP4538-02EP0125	VP4538-08EP0125
150	6"	56	13,7	VP4538-02EP0150	VP4538-08EP0150
200	8"	60	19,7	VP4538-02EP0200	VP4538-08EP0200
250	10"	68	31,9	VP4538-02EP0250	VP4538-08EP0250
300	12"	78	51,5	VP4538-02EP0300	VP4538-08EP0300



Nous consulter pour motorisation / Please consult us for actuator assembly





Acier Inox | Stainless Steel

VP4549A | VP4509A

Vanne à papillon double bride PN10/16

Ductile iron double flanged butterfly valve PN10/16



Corps : Fonte ductile EN-GJS-400-15 (GGG40)
 Papillon : Acier inoxydable CF8M
 Manchette : EPDM chaleur
 Raccordement : Double bride PN10 ou PN16
 Pression de service max : 16 bar
 Température de service :
 -15°C/+130°C (-30°C/+150°C pointe)

Body: Ductile iron EN-GJS-400-15 (GGG40)
 Disc: Stainless steel CF8M
 Sleeve: Heat EPDM
 Connection: Flanged U type PN10 or PN16
 Max working pressure: 16 bar
 Working temperature:
 -15°C/+130°C (-30°C/+150°C peak)

DN		L (mm)	Kg	PN	Poignée / Handle	Réducteur / Gearbox
mm	inch				Ref.	Ref.
50	2"	43	5,3	16	VP4549A-02EP0050	VP4549A-08EP0050
65	2"1/2	46	5,9	16	VP4549A-02EP0065	VP4549A-08EP0065
80	3"	46	6,6	16	VP4549A-02EP0080	VP4549A-08EP0080
100	4"	52	9,5	16	VP4549A-02EP0100	VP4549A-08EP0100
125	5"	56	10,8	16	VP4549A-02EP0125	VP4549A-08EP0125
150	6"	56	13,4	16	VP4549A-02EP0150	VP4549A-08EP0150
200	8"	60	26,2	10	VP4509A-02EP0200	VP4509A-08EP0200
				16	VP4549A-02EP0200	VP4549A-08EP0200
250	10"	68	31,9	10	VP4509A-02EP0250	VP4509A-08EP0250
				16	VP4549A-02EP0250	VP4549A-08EP0250
300	12"	78	51,5	10	VP4509A-02EP0300	VP4509A-08EP0300
				16	VP4549A-02EP0300	VP4549A-08EP0300



Nous consulter pour motorisation / Please consult us for actuator assembly



ASA 150

Acier Inox | Stainless Steel

VP4539-02 | VP4539-08

Vanne à papillon double bride - ASA150

Ductile iron double flanged butterfly valve ASA150



Corps : Fonte ductile EN-GJS-400-15 (GGG40)
 Papillon : Acier inoxydable CF8M
 Manchette : EPDM chaleur
 Raccordement : Double bride ASA150
 Pression de service max : 16 bar
 Température de service :
 -15°C/+130°C (-30°C/+150°C pointe)

Body: Ductile iron EN-GJS-400-15 (GGG40)
 Disc: Stainless steel CF8M
 Sleeve: Heat EPDM
 Connection: Flanged U type ASA 150
 Max working pressure: 16 bar
 Working temperature:
 -15°C/+130°C (-30°C/+150°C peak)

DN		L (mm)	Kg	Poignée / Handle	Réducteur / Gearbox
mm	inch			Ref.	Ref.
50	2"	43	5,4	VP4539-02EP0050	VP4539-08EP0050
65	2"1/2	46	5,7	VP4539-02EP0065	VP4539-08EP0065
80	3"	46	6,9	VP4539-02EP0080	VP4539-08EP0080
100	4"	52	9,8	VP4539-02EP0100	VP4539-08EP0100
125	5"	56	11,1	VP4539-02EP0125	VP4539-08EP0125
150	6"	56	13,7	VP4539-02EP0150	VP4539-08EP0150
200	8"	60	19,7	VP4539-02EP0200	VP4539-08EP0200
250	10"	68	31,9	VP4539-02EP0250	VP4539-08EP0250
300	12"	78	51,5	VP4539-02EP0300	VP4539-08EP0300



Nous consulter pour motorisation / Actuator assembly on request



TECLARGE

VANNE PAPILLON | BUTTERFLY VALVE DN 350-1200 - PN10/16/ASA150



Usage général : eau, rejets, hydrocarbures...
General use: water, discharges, hydrocarbons...

RÉDUCTEUR MOTORISABLE AVEC INDICATEUR D'OUVERTURE

Actuated gearbox operator with position indicator

PLATINE DE MOTORISATION

ISO Top flange for actuator

CORPS FONTE DUCTILE EN-GJS-400-15 REVÊTEMENT ÉPOXY 250 MICRONS

Ductile iron body EN-GJS-400-15 epoxy coated 250µm



CE

BUTÉES RÉGLABLES

Adjustable stops

RACCORDEMENT WAFER PN10 SELON LA NORME EN 1092-2

(PN16/ASA150 sur demande)

Wafer connection PN10 according to EN1092-2 (PN16/ASA150 on request)



WAFER AVEC BRIDE CENTRALE MUNIE DE TROUS LISSES DU DN700 AU DN1200

Wafer type with middle flange having smooth holes from DN700 to DN1200

WAFER AVEC OREILLES DE CENTRAGE DU DN350 AU DN600

Wafer type with smooth ears from DN350 to DN600

EN OPTION | OPTION

CARRE DE FONTAINIER | CONICAL SQUARE

Adaptateur carré conique pour axe
Conical square coupling for stem



Se positionne en sortie de réducteur pour une manœuvre par clé de fontainier (page 143)
Livré avec une vis de "pression" / blocage.
Can be positioned at the output of the gearbox for operation by fountain key (page 143)
Delivered with thrust screw



Permet les montages à rallonge
Used for extension model

DN	PN	Ref.
350-1000	10	CARRE-B3F10
1200	10	CARRE-B3F14
350-700	16	CARRE-B3F10
800-1200		CARRE-B3F14

TECLARGE

OREILLES LISSES - SÉRIE 20 WAFER TYPE - SERIES 20

VANNE BUTTE

VPE4408-08EP | VPE4408-08EPA | VPE4409-08EP | VPE4409-08EPA

PN10

Vanne à papillon entre brides PN10
Wafer type butterfly valve PN10



Corps : Fonte Ductile EN-GJS-400-15 (GGG40)
Papillon : Fonte Ductile EN-GJS-400-15 (GGG40) nickelé ou Inox 316
Manchette : EPDM chaleur ou EPDM ACS
Raccordement : Entre brides PN10
Pression de service : 10 bar
Température de service : +130°C (+150°C pointe) / -15°C (-30°C pointe)
Température de service ACS : +110°C (+130°C pointe) / +4°C (-20°C pointe)
Manœuvre : Réducteur à volant avec platine de motorisation ISO

Body: Ductile iron EN-GJS-400-15 (GGG40)
Disc: Ductile iron EN-GJS-400-15 (GGG40) nickel-plated or Stainless steel 316
Sleeve: Heat EPDM
Connection: Wafer type PN10
Working pressure: 10 bar
Working temperature: +130°C (+150°C peak) / -15°C (-30°C peak)
Working temperature for ACS: +110°C (+130°C peak) / +4°C (-20°C peak)
Operation: Gearbox with handwheel and ISO top flange for electric actuator connection



Version ACS pour Eau Potable
ACS certification for Drinking Water



* sans bride centrale du DN350 au DN600 / Without central flange from DN350 to DN600

CE

				Papillon / Disc			
				Fonte ductile / Ductile Iron		Inox 316 / Stainless steel 316	
DN		L (mm)	Kg	Manchette / Seat EPDM CH	Manchette / Seat EPDM ACS	Manchette / Seat EPDM CH	Manchette / Seat EPDM ACS
mm	inch						
350 *	14"	76,5	68	VPE4408-08EP0350	VPE4408-08EPA0350	VPE4409-08EP0350	VPE4409-08EPA0350
400 *	16"	102	89	VPE4408-08EP0400	VPE4408-08EPA0400	VPE4409-08EP0400	VPE4409-08EPA0400
450 *	18"	114	104	VPE4408-08EP0450	VPE4408-08EPA0450	VPE4409-08EP0450	VPE4409-08EPA0450
500 *	20"	130	126	VPE4408-08EP0500	VPE4408-08EPA0500	VPE4409-08EP0500	VPE4409-08EPA0500
600 *	24"	151	222	VPE4408-08EP0600	VPE4408-08EPA0600	VPE4409-08EP0600	VPE4409-08EPA0600
700	28"	163	336	VPE4408-08EP0700	VPE4408-08EPA0700	VPE4409-08EP0700	VPE4409-08EPA0700
800	32"	188	431	VPE4408-08EP0800	VPE4408-08EPA0800	VPE4409-08EP0800	VPE4409-08EPA0800
900	36"	203	548	VPE4408-08EP0900	VPE4408-08EPA0900	VPE4409-08EP0900	VPE4409-08EPA0900
1000	40"	216	798	VPE4408-08EP1000	VPE4408-08EPA1000	VPE4409-08EP1000	VPE4409-08EPA1000
1200	48"	276	1180	VPE4408-08EP1200	VPE4408-08EPA1200	VPE4409-08EP1200	VPE4409-08EPA1200

VPE4448-08EP | VPE4448-08EPA | VPE4449-08EP | VPE4449-08EPA

PN16

Vanne à papillon entre brides PN16
Wafer type butterfly valve PN16



Corps : Fonte Ductile EN-GJS-400-15 (GGG40)
Papillon : Fonte Ductile EN-GJS-400-15 (GGG40) nickelé ou inox 316
Manchette : EPDM chaleur ou EPDM ACS
Raccordement : Entre brides PN16
Pression de service : 16 bar
Température de service : +130°C (+150°C pointe) / -15°C (-30°C pointe)
Température de service ACS : +110°C (+130°C pointe) / +4°C (-20°C pointe)
Manœuvre : Réducteur à volant avec platine de motorisation ISO

Body: Ductile iron EN-GJS-400-15 (GGG40)
Disc: Ductile iron EN-GJS-400-15 (GGG40) nickel-plated or Stainless steel 316
Sleeve: Heat EPDM
Connection: Wafer type PN16
Working pressure: 16 bar
Working temperature: +130°C (+150°C peak) / -15°C (-30°C peak)
Working temperature for ACS: +110°C (+130°C peak) / +4°C (-20°C peak)
Operation: Gearbox with handwheel and ISO top flange for electric actuator connection



Version ACS pour Eau Potable
ACS certification for Drinking Water



* sans bride centrale du DN350 au DN500 / Without central flange from DN350 to DN500

CE

				Papillon / Disc			
				Fonte ductile / Ductile Iron		Inox 316 / Stainless steel 316	
DN		L (mm)	Kg	Manchette / Seat EPDM CH	Manchette / Seat EPDM ACS	Manchette / Seat EPDM CH	Manchette / Seat EPDM ACS
mm	inch						
350 *	14"	76,5	68	VPE4448-08EP0350	VPE4448-08EPA0350	VPE4449-08EP0350	VPE4449-08EPA0350
400 *	16"	102	89	VPE4448-08EP0400	VPE4448-08EPA0400	VPE4449-08EP0400	VPE4449-08EPA0400
450 *	18"	114	104	VPE4448-08EP0450	VPE4448-08EPA0450	VPE4449-08EP0450	VPE4449-08EPA0450
500 *	20"	130	126	VPE4448-08EP0500	VPE4448-08EPA0500	VPE4449-08EP0500	VPE4449-08EPA0500
600	24"	151	222	VPE4448-08EP0600	VPE4448-08EPA0600	VPE4449-08EP0600	VPE4449-08EPA0600
700	28"	163	336	VPE4448-08EP0700	VPE4448-08EPA0700	VPE4449-08EP0700	VPE4449-08EPA0700
800	32"	188	431	VPE4448-08EP0800	VPE4448-08EPA0800	VPE4449-08EP0800	VPE4449-08EPA0800
900	36"	203	548	VPE4448-08EP0900	VPE4448-08EPA0900	VPE4449-08EP0900	VPE4449-08EPA0900
1000	40"	216	798	VPE4448-08EP1000	VPE4448-08EPA1000	VPE4449-08EP1000	VPE4449-08EPA1000
1200	48"	276	1180	VPE4448-08EP1200	VPE4448-08EPA1200	VPE4449-08EP1200	VPE4449-08EPA1200



VPE4438-084EP I VPE4439-084EP

ASA 150

Vanne à papillon entre brides - ASA 150

Wafer type butterfly valve - ASA150



CE



Corps : Fonte Ductile EN-GJS-400-15 (GGG40)
 Papillon : Fonte Ductile EN-GJS-400-15 (GGG40) nickelé ou Inox 316
 Manchette : EPDM CH
 Raccordement : Entre brides ASA 150
 Pression de service max : 16 bar
 Température de service max : +130°C (+150°C pointe)
 Température minimum de service : -15°C (- 30°C pointe)
 Manoeuvre : Réducteur à volant avec platine de motorisation ISO


Body: Ductile iron EN-GJS-400-15 (GGG40)
 Disc: Ductile iron EN-GJS-400-15 (GGG40) nickel-plated or Stainless steel 316
 Sleeve: Heat EPDM
 Connection: Wafer type ASA 150
 Max wWorking pressure: 16 bar
 Maximum Working temperature: +130°C (+150°C peak)
 Minimum Working temperature: -15°C (- 30°C peak)
 Operation: Gearbox with handwheel and ISO top flange for electric actuator connection



Version ACS pour Eau Potable sur demande
 ACS certification for Drinking Water on request



* sans bride centrale du DN350 au DN600 / Without central flange from DN350 to DN600

				Papillon / Disc	
				Fonte ductile / Ductile Iron	Inox 316 / Stainless steel 316
DN		 L (mm)	Kg	Ref.	Ref.
mm	inch				
350 *	14"	76,5	76,5	VPE4438-084EP0350	VPE4439-084EP0350
400 *	16"	102	94	VPE4438-084EP0400	VPE4439-084EP0400
450 *	18"	114	113	VPE4438-084EP0450	VPE4439-084EP0450
500 *	20"	130	120	VPE4438-084EP0500	VPE4439-084EP0500
600 *	24"	151	215	VPE4438-084EP0600	VPE4439-084EP0600
700	28"	163	382	VPE4438-084EP0700	VPE4439-084EP0700
800	32"	188	475	VPE4438-084EP0800	VPE4439-084EP0800
900	36"	203	795	VPE4438-084EP0900	VPE4439-084EP0900
1000	40"	216	875	VPE4438-084EP1000	VPE4439-084EP1000
1200	48"	276	1170	VPE4438-084EP1200	VPE4439-084EP1200

VPE4508-08EP | VPE4508-08EPA | VPE4509-08EP | VPE4509-08EPA

PN10

Vanne à papillon à double bride PN10
Double flanged type butterfly valve - PN10



Corps : Fonte Ductile EN-GJS-400-15 (GGG40)
Papillon : Fonte ductile EN-GJS-400-15 (GGG40) nickelé ou Inox 316
Manchette : EPDM chaleur ou EPDM ACS
Raccordement : À brides PN10
Pression de service : 10 bar
Température de service : +130°C (+150°C pointe) / -15°C (-30°C pointe)
Température de service ACS : +110°C (+130°C pointe) / +4°C (-20°C pointe)
Manœuvre : Réducteur à volant avec platine de motorisation ISO

Body: Ductile iron EN-GJS-400-15 (GGG40)
Disc: Ductile iron EN-GJS-400-15 (GGG40) nickel plated or Stainless steel 316
Sleeve: Heat EPDM or EPDM ACS
Connection: Flanged PN10
Working pressure: 10 bar
Working temperature: +130°C (+150°C peak) / -15°C (-30°C peak)
Working temperature for ACS: +110°C (+130°C peak) / +4°C (-20°C peak)
Operation: Gearbox with handwheel and ISO top flange for electric actuator connection



Version ACS pour Eau Potable
ACS certification for Drinking Water



DN		L (mm)	Kg	Papillon / Disc			
mm	inch			Fonte ductile / Ductile iron		Inox 316 / Stainless steel 316	
				Manchette / Seat EPDM CH	Manchette / Seat EPDM	Manchette / Seat EPDM CH	Manchette / Seat EPDM
					ACS		ACS
350	14"	76,5	55,3	VPE4508-08EP0350	VPE4508-08EPA0350	VPE4509-08EP0350	VPE4509-08EPA0350
400	16"	102	118	VPE4508-08EP0400	VPE4508-08EPA0400	VPE4509-08EP0400	VPE4509-08EPA0400
450	18"	114	143	VPE4508-08EP0450	VPE4508-08EPA0450	VPE4509-08EP0450	VPE4509-08EPA0450
500	20"	127	149	VPE4508-08EP0500	VPE4508-08EPA0500	VPE4509-08EP0500	VPE4509-08EPA0500
600	24"	151	273	VPE4508-08EP0600	VPE4508-08EPA0600	VPE4509-08EP0600	VPE4509-08EPA0600
700	28"	163	431	VPE4508-08EP0700	VPE4508-08EPA0700	VPE4509-08EP0700	VPE4509-08EPA0700
800	32"	188	540	VPE4508-08EP0800	VPE4508-08EPA0800	VPE4509-08EP0800	VPE4509-08EPA0800
900	36"	203	902	VPE4508-08EP0900	VPE4508-08EPA0900	VPE4509-08EP0900	VPE4509-08EPA0900
1000	40"	216	984	VPE4508-08EP1000	VPE4508-08EPA1000	VPE4509-08EP1000	VPE4509-08EPA1000
1200	48"	276	1310	VPE4508-08EP1200	VPE4508-08EPA1200	VPE4509-08EP1200	VPE4509-08EPA1200

VPE4548-08EP | VPE4548-08EPA | VPE4549-08EP | VPE4549-08EPA

PN16

Vanne à papillon à double bride PN16
Double flanged type butterfly valve - PN16



Corps : Fonte Ductile EN-GJS-400-15 (GGG40)
Papillon : Fonte ductile EN-GJS-400-15 (GGG40) nickelé ou Inox 316
Manchette : EPDM chaleur ou EPDM ACS
Raccordement : À brides PN16
Pression de service : 16 bar
Température de service : +130°C (+150°C pointe) / -15°C (-30°C pointe)
Température de service ACS : +110°C (+130°C pointe) / +4°C (-20°C pointe)
Manœuvre : Réducteur à volant avec platine de motorisation ISO

Body: Ductile iron EN-GJS-400-15 (GGG40)
Disc: Ductile iron EN-GJS-400-15 (GGG40) nickel-plated or Stainless steel 316
Sleeve: Heat EPDM or EPDM ACS
Connection: Flanged PN16
Working pressure: 16 bar
Working temperature: +130°C (+150°C peak) / -15°C (-30°C peak)
Working temperature for ACS: +110°C (+130°C peak) / +4°C (-20°C peak)
Operation: Gearbox with handwheel and ISO top flange for electric actuator connection



Version ACS pour Eau Potable
ACS certification for Drinking Water



DN		L (mm)	Kg	Papillon / Disc			
mm	inch			Fonte ductile / Ductile iron		Inox 316 / Stainless steel 316	
				Manchette / Seat EPDM CH	Manchette / Seat EPDM	Manchette / Seat EPDM CH	Manchette / Seat EPDM
					ACS		ACS
350	14"	76,5	55,3	VPE4548-08EP0350	VPE4548-08EPA0350	VPE4549-08EP0350	VPE4549-08EPA0350
400	16"	102	123	VPE4548-08EP0400	VPE4548-08EPA0400	VPE4549-08EP0400	VPE4549-08EPA0400
450	18"	114	146,5	VPE4548-08EP0450	VPE4548-08EPA0450	VPE4549-08EP0450	VPE4549-08EPA0450
500	20"	127	159,5	VPE4548-08EP0500	VPE4548-08EPA0500	VPE4549-08EP0500	VPE4549-08EPA0500
600	24"	151	282	VPE4548-08EP0600	VPE4548-08EPA0600	VPE4549-08EP0600	VPE4549-08EPA0600
700	28"	163	444	VPE4548-08EP0700	VPE4548-08EPA0700	VPE4549-08EP0700	VPE4549-08EPA0700
800	32"	188	555	VPE4548-08EP0800	VPE4548-08EPA0800	VPE4549-08EP0800	VPE4549-08EPA0800
900	36"	203	920	VPE4548-08EP0900	VPE4548-08EPA0900	VPE4549-08EP0900	VPE4549-08EPA0900
1000	40"	216	1005	VPE4548-08EP1000	VPE4548-08EPA1000	VPE4549-08EP1000	VPE4549-08EPA1000
1200	48"	276	1360	VPE4548-08EP1200	VPE4548-08EPA1200	VPE4549-08EP1200	VPE4549-08EPA1200



VPE4538-084EP I VPE4539-084EP

ASA 150

Vanne à papillon à double bride - ASA150

Double flanged type butterfly valve - ASA150




Corps : Fonte Ductile EN-GJS-400-15 (GGG40)
 Papillon : Fonte ductile EN-GJS-400-15 (GGG40) nickelé ou Inox 316
 Manchette : EPDM chaleur
 Raccordement : Entre brides ASA 150
 Pression de service max : 16 bar
 Température de service max : +130°C (+150 °C pointe)
 Température minimum de service : -15°C (-30 °C pointe)
 Manoeuvre : Réducteur à volant avec platine de motorisation ISO

Body: Ductile iron EN-GJS-400-15 (GGG40)
 Disc: Ductile iron EN-GJS-400-15 (GGG40) nickel plated or Stainless steel 316
 Sleeve: Heat EPDM
 Connection: Flanged ASA 150
 Max working pressure: 16 bar
 Maximum Working temperature: +130°C (+150 °C peak)
 Minimum Working temperature: -15°C (-30 °C peak)
 Operation: Gearbox with handwheel and ISO top flange for electric actuator connection



Version ACS pour Eau Potable sur demande
ACS certification for Drinking Water on request

NEW

				Papillon / Disc	
				Fonte ductile / Ductile iron	Inox 316 / Stainless steel 316
DN		 L (mm)	Kg	Ref.	
mm	inch				
350	14"	76,5	55,3	VPE4538-084EP0350	VPE4539-084EP0350
400	16"	102	118	VPE4538-084EP0400	VPE4539-084EP0400
450	18"	114	143	VPE4538-084EP0450	VPE4539-084EP0450
500	20"	127	149	VPE4538-084EP0500	VPE4539-084EP0500
600	24"	151	273	VPE4538-084EP0600	VPE4539-084EP0600
700	28"	163	431	VPE4538-084EP0700	VPE4539-084EP0700
800	32"	188	540	VPE4538-084EP0800	VPE4539-084EP0800
900	36"	203	902	VPE4538-084EP0900	VPE4539-084EP0900
1000	40"	216	984	VPE4538-084EP1000	VPE4539-084EP1000
1200	48"	276	1310	VPE4538-084EP1200	VPE4539-084EP1200

KIT TECLARGE

MOTORISATION ET RÉDUCTEUR ACTUATOR & DECLUTCHABLE GEARBOX



VANNE
BUTTE

MOTEUR AUMA U04 | AUMA ACTUATOR U04

Triphasé | 3-phase

Kit motorisation Auma 3 phases 400V/50Hz On/Off
Electric actuator Auma kit 3-phase 400V/50Hz On/Off



- Moteur équipé de :
- 2 contacts fin de course
 - 1 résistance de chauffe
 - 2 limiteurs de couple
- Commande manuelle de secours
Indicateur visuel de position
Protection IP68
Fonction tout ou rien



- Actuator equipped with:
- 2 limit switches
 - 1 heat resistor
 - 2 torque limiters switches included
- Emergency handwheel
Visual position indicator
IP68 protection
Function on-off

DN		PN10		PN16	
mm	inch	Type	Ref.	Type	Ref.
350	14"	SA07.2	300160233	SA07.2	300160233
400	16"				
450	18"				
500	20"	SA07.6	300160234	SA07.6	300160234
600	24"				
700	28"	SA07.6	300160235	SA10.2	300160236
800	32"	SA10.2	300160236	SA14.2	300160239
900	36"	SA10.2	300170021	SA14.2	300190054
1000	40"	SA14.2	300190054		
1200	48"	SA14.2	300160237	SA14.2	300160237

MOTEUR BERNARD CONTROLS B04 | B.C ACTUATOR B04

Triphasé | 3-phase

Kit motorisation électrique Bernard Controls 3 phases 400V/50Hz On/Off
Electric actuator Bernard Controls kit 3-phase 400V/50Hz On/Off



- Moteur équipé de :
- 2 contacts fin de course
 - 1 résistance de chauffe
 - 2 limiteurs de couple
- Commande manuelle de secours
Indicateur visuel de position
Protection IP68



- Actuator equipped with:
- 2 limit switches
 - 1 heat resistor
 - 2 torque limiters switches
- Emergency handwheel
Visual position indicator
IP68 protection

DN		PN10		PN16	
mm	inch	Type	Ref.	Type	Ref.
350	14"	AT3	300200184	AT3	30020184
400	16"	AT3	300200184	AT3	30020184
450	18"	AT3	300200184	AT3	30020184
500	20"	AT3	300200184	AT6	300200185
600	24"	AT6	300200185	AT6	300200185
700	28"	AT6	300200185	AT14	300200186
800	32"	AT14	300200186	AT14	300200186
900	36"	AT14	300200186	AT14	300200186
1000	40"	AT14	300200186	AT25	300200187
1200	48"	AT25	300200187	AT25	300200187

RÉDUCTEUR | MANUAL OVERRIDE DECLUTCHABLE GEAR

Réducteur débrayable | Declutchable gear

Réducteur débrayable et vérin pneumatique double effet
Declutchable gear and double-acting pneumatic actuator



- MOA200 à MOA310 : Fonte grise
MOA850 : Fonte grise
TDA : Aluminium

- Composé de :
- Actionneur pneumatique double effet
 - Réducteur manuel débrayable
 - Adaptateur carré
 - Vis, rondelle acier Inox A2



- MOA30 up to MOA310: Cast Iron
MOA850: Cast Iron
TDA: Aluminium

- Comprised of:
- Double-acting pneumatic actuator
 - Declutchable gear
 - Square adapter
 - Stainless steel A2 bolts and nuts



DN		PN10		PN16	
mm	inch	Type	Ref.	Type	Ref.
350	14"	MOA200 + TDA190	300180241	MOA200 + TDA190	300180240
400	16"			MOA200 + TDA210	300180242
450	18"	MOA200 + TDA240	300180243	MOA310 + TDA240	300180244
500	20"	MOA200 + TDA240	300180243	MOA310 + TDA270	300180245
600	24"	MOA310 + TDA270	300180245	MOA850 + TDA350	300180246



Nous ne recommandons pas le montage de réducteur débrayable sur un vérin pneumatique simple effet (en position NO, possibilité en version position NF).
Les volants sont livrés démontés pour l'optimisation de l'envoi. Nous vous invitons à spécifier le montage du volant lors de votre commande si impératif (coût de montage en sus).
We do not recommend mounting the gearbox on a single-acting pneumatic actuator (NO position, NC version on request).
Handwheels are delivered disassembled for the optimization of the shipment. Please contact us if it is imperative that the valve is shipped with handwheel assembled.



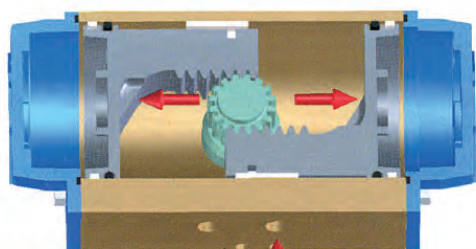
ACTIONNEUR PNEUMATIQUE 1/4T

PNEUMATIC ACTUATOR 1/4 T



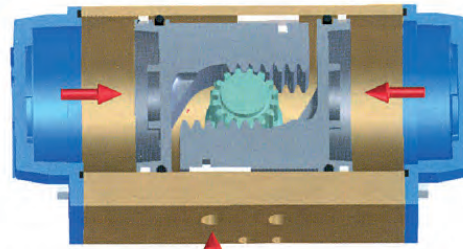
TECLARGE

Double effet | Double-acting



Position ouverte
Opened position

Vue de dessus
Top view



Position fermée
Closed position

KIT DOUBLE EFFET N03 | N03 DOUBLE-ACTING KIT

Kit motorisation pneumatique double effet
Double-acting pneumatic actuator kit

VERIN1/4T



Construction: Aluminium
Pression de service : 6 bar (air lubrifié)
Butées réglables
Livré avec came de position

VSY*



Construction: Aluminium
Working pressure: 6 bar (lubricated air)
Stop bolt retaining nut
Supplied with position cam

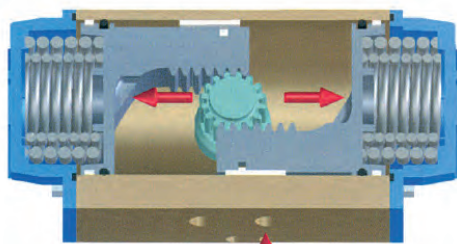
*VSY = Scotch and Yoke : Vérin pneumatique haute performance (fort couple à l'ouverture et à la fermeture).
*VSY = Scotch and Yoke : High performance pneumatic actuator (high torque for opening and closing).



ATEX ZONE 1 / 2 / 21 / 22

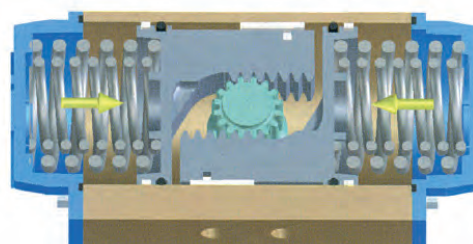
DN		TECLARGE (ΔP 10 bar)		TECLARGE (ΔP 16 bar)	
		Type	Ref.	Type	Ref.
mm	inch				
350	14"	VERIN1/4T-TDA160	300160240	VERIN1/4T-TDA190	300170011
400	16"	VERIN1/4T-TDA190	300160241	VERIN1/4T-TDA210	300160242
450	18"	VERIN1/4T-TDA210	300160242	VERIN1/4T-TDA240	300170012
500	20"	VERIN1/4T-TDA240	300160243	VERIN1/4T-TDA270	300160250
600	24"	VERIN1/4T-TDA270	300160244	VERIN1/4T-TDA350	300160251
700	28"	VERIN1/4T-TDA300	300160245	VERIN1/4T-TDA350	300160246
800	32"	VERIN1/4T-TDA350	300160246	VERIN1/4T-TDA400	300170013
900	36"	VERIN1/4T-TDA400	300160247	VSY-TDA30-450D75*	300170022
1000	40"	VSY-TDA30-450D85*	300160248	VSY-TDA35-550D85*	300160252
1200	48"	VSY-TDA35-550D105*	300160249	VSY-TDA35-550D105*	300160249

Simple effet | Single-acting



Position ouverte
Opened position

Vue de dessus
Top view



Position fermée
Closed position

KIT SIMPLE EFFET N07 | N07 SINGLE-ACTING KIT

Kit motorisation pneumatique simple effet
Single-acting pneumatic actuator kit



Construction: Aluminium
Pression de service : 6 bar (air lubrifié)
Butées réglables
Livré avec came de position

Construction: Aluminium
Working pressure: 6 bar (lubricated air)
Stop bolt retaining nut
Supplied with position cam



ATEX ZONE 1 / 2 / 21 / 22

DN		TECLARGE (ΔP 10 bar)		TECLARGE (ΔP 16 bar)	
		Type	Ref.	Type	Ref.
mm	inch				
350	14"	VERIN1/4T-TSR240	300160253	VERIN1/4T-TSR270	300170014
400	16"	VERIN1/4T-TSR270	300160254	VERIN1/4T-TSR350	300170015
450	18"	VERIN1/4T-TSR300	300160255	VERIN1/4T-TSR400	300160258
500	20"	VERIN1/4T-TSR350	300160256	VERIN1/4T-TSR400	300170016
600	24"	VERIN1/4T-TSR400	300160257		



KIT COLONNETTE DROITE POUR TECLARGE

PEDESTAL FLOOR MOUNTING KIT FOR TECLARGE BUTTERFLY VALVES

À VOLANT | WITH HANDWHEEL



VOL1/VOL2

GUICOL

Plaque de guidage
Support plate

COL3-F10

Colonne
Pedestal



U04 AUMA

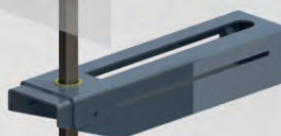
Actionneur
Actuator

F10AU1

Platine ISO
ISO Top Flange

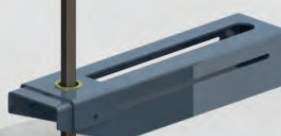
COL3-F10

Colonne
Pedestal



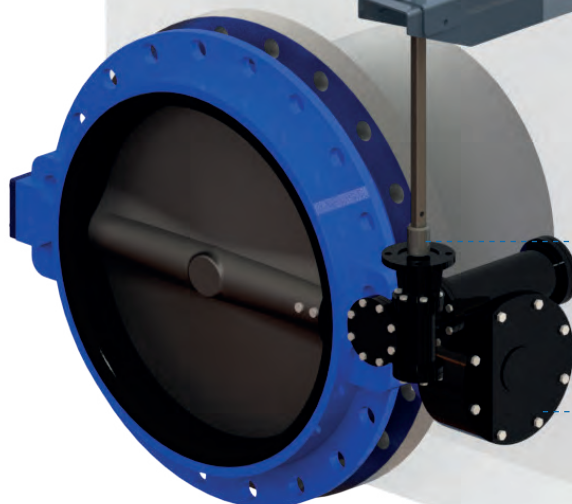
EXT1/2/3/4/5

Rallonge / Extension



PAL 2/3

Palier de guidage
Guide plate



VPDOUILLE0136

Entraineur
Coupling Adapter

VANNE PAPILLON TECLARGE

Teclarge butterfly valve

Représentation à titre indicatif (contre-bridges et tirants non représentés, ils sont obligatoires dans toutes installations).
Representation for reference only (counter flanges and tie rods not shown are required in all installations).

KIT COLONNETTE MURALE POUR TECLARGE

PEDESTAL WALL MOUNTING KIT FOR TECLARGE BUTTERFLY VALVES



VOL1

*Volant
Handwheel*

COL1

*Colonne
Pedestal*



La distance entre le mur et les colonnettes murales (COL1-COL2) n'est pas réglable. Prévoir un déport avec le mur ou un système pour plaquer la colonnette à la bonne distance.

The distance between the wall and the wall column (COL1-COL2) is not adjustable, provide an offset with the wall or a system to place the column at the right distance.

VPDOUILLE0136

*Entraineur
Coupling adapter*

VANNE PAPILLON TECLARGE

Teclarge butterfly valve

U04 AUMA

*Actionneur
Actuator*

F10AU1

*Platine ISO
ISO Top Flange*

COL2-F10

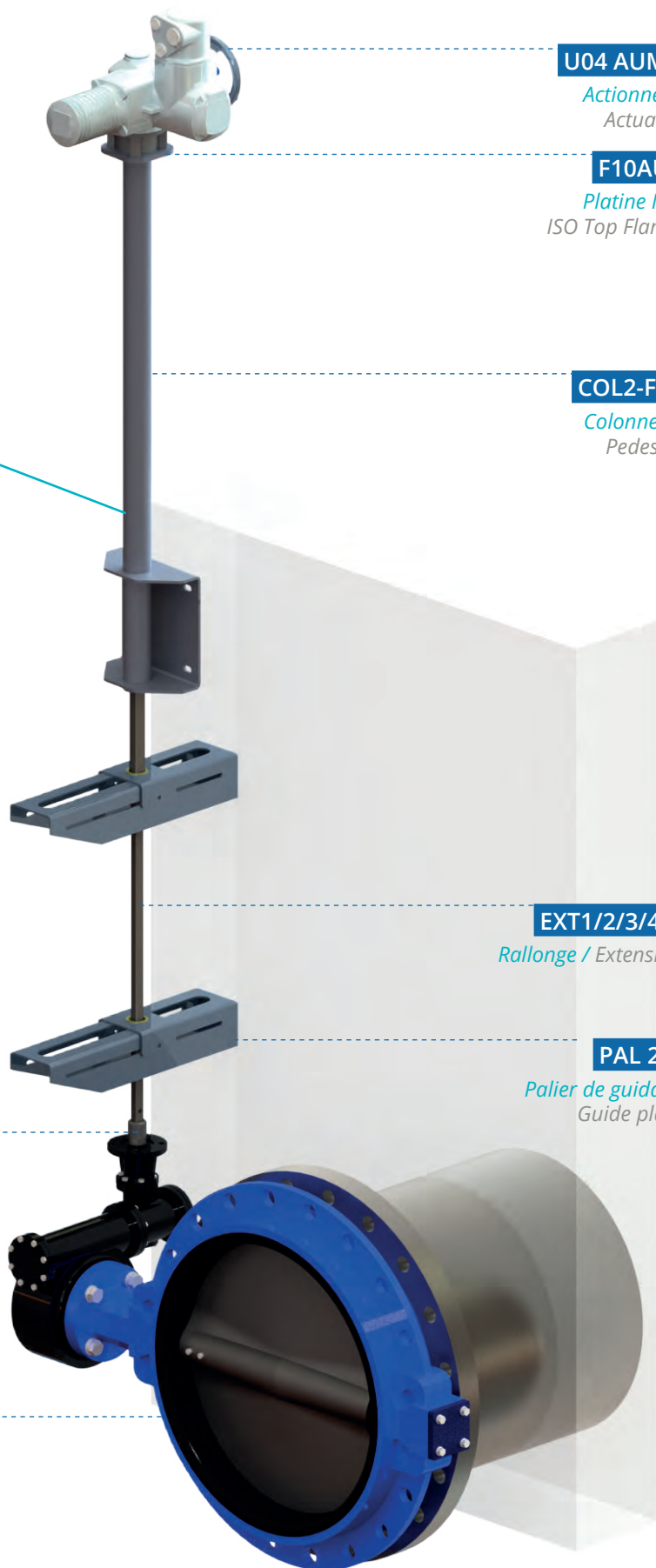
*Colonne
Pedestal*

EXT1/2/3/4/5

Rallonge / Extension

PAL 2/3

*Palier de guidage
Guide plate*



Représentation à titre indicatif (contre-brides et tirants non représentés, ils sont obligatoires dans toutes installations).
Representation for reference only (counter flanges and tie rods not shown are required in all installations).





TRINGLERIES POUR MONTAGE SUR COLONNETTE - TECLARGE
LINKAGE FOR PEDESTAL MOUNTED - TECLARGE



TECLARGE

VANNE BUTTE

ENTRAINEUR | COUPLING ADAPTER

Entraîneur Femelle pour tige de rallonge (EXT)
 Female coupling adapter for extension (EXT)



Matière : Inox 304

Material: Stainless Steel 304

Ref.	DN
VPDOUILLE0136	350-600

RALLONGE | EXTENSION

Rallonge télescopique
 Telescopic extension



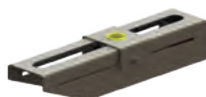
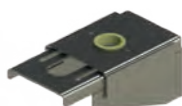
Matière : Inox 316L

Material: Stainless Steel 316L

Dimension (mm)	Ref.
800-1100	EXT1
1100-1750	EXT2
1750-3000	EXT3
3000-5500	EXT4
4000-8000	EXT5

PALIER DE GUIDAGE | GUIDE PLATE

Palier de guidage fixe pour rallonge télescopique
 Guide plate for telescopic extension



Matière : Inox 316L

Material: Stainless Steel 316L

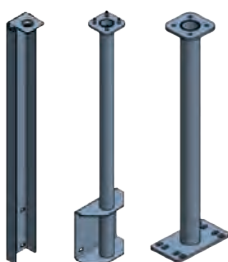
Dimension (mm)	Ref.
70-200	PAL2
70-500	PAL3



Mettre obligatoirement un palier tous les deux mètres + un autre avant le passage dans la colonnette.
Place one guide plate every two meters of the extension + one guide plate just before the pedestal floor.

COLONNETTE | PEDESTAL

Colonnette mécano-soudée pour vannes à papillon
 Mechanically welded pedestal for butterfly valves



1 2 3



COL1 : pour commande par volant et fixation murale
 COL2-F10 : pour commande motorisée et fixation murale
 COL3-F10 : pour fixation au sol

Pedestal wall mounted for handwheel
 Pedestal wall mounted for electric actuator
 Pedestal floor mounted

Matière : Inox 304
 Hauteur fixe : 900mm

Material: Stainless Steel 304
 Height: 900mm

Ref.
COL1
COL2-F10
COL3-F10

PLAQUE DE GUIDAGE | SUPPORT PLATE

Plaque de guidage pour colonnette fixation sol et commande par volant
 Support plate for pedestal floor mounting handwheel



Matière : POM

Material: POM

Ref.
GUICOL



Permet de guider la rallonge
Used to guide the extension



A utiliser obligatoirement en cas de commande par volant sur colonnette COL3-F10.
 To use only with handwheel operation on pedestal COL3-F10.



VOLANT I HANDWHEEL

Volant
Handwheel

Matière : Acier revêtu Epoxy
VOL1 : Diamètre 300mm
VOL2 : Diamètre 500mm

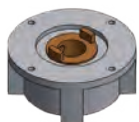
Material: Epoxy-coated carbon steel
VOL1: Diameter 300mm
VOL2: Diameter 500mm

Ref.	DN	
	mm	inch
VOL1	50-300	2"-12"
VOL2	350-600	14"-24"



Adaptable sur extension
Adaptable with extension

PLATINE ISO POUR MOTEUR I ISO TOP FLANGE FOR ACTUATOR

Platine pour moteur Auma
Output drive F10 for Auma electric actuator on extension

Matière : Fonte, écrou en bronze
Platine : ISO5210
Pour montage sur colonette

Material: Cast iron, bronze nut
Top mounted flange: ISO5210
For assembly on column

Ref.

F10AU1



Pour accouplement entre colonnette et moteur Auma
Coupling between the column and the Auma actuator

U04 - MOTEUR TECLARGE - COLONNETTE I AUMA ACTUATOR FOR PEDESTAL MOUNTED TECLARGE

Motorisation Auma 3 phases 400V/50Hz On/Off
Auma actuator 3 phases 400V/50Hz On/Off



Moteur équipé de :
- 2 contacts fin de course
- 1 résistance de chauffe
- 2 limiteurs de couple
Commande manuelle de secours
Indicateur visuel de position
Protection IP68

Actuator equipped with:
- 2 limit switches
- 1 heat resistor
- 2 torque limiters switches included
Emergency handwheel
Visual position indicator
IP68 protection

PN10 / PN16			
mm	DN		Ref.
	inch		
350-500	14"-20"		SA07.2-U04B1TOR63
600	24"		SA07.6-U04B1TOR63

//// OPTIONS TECFLY - TECLARGE



VANNE BUTTE

➔ Boîtier fin de course MONTAGE SUR VERIN PNEUMATIQUE | Limit switch MOUNTING ON PNEUMATIC ACTUATOR

Les boîtiers fin de course sont des boîtiers dans lesquels sont intégrés des contacts inductifs ou des contacts mécaniques qui permettent de récupérer une information électrique de la position d'une vanne. Ces boîtiers sont adaptés en fonction de l'environnement dans lequel ils sont installés.

On the limit switch box there are integrated inductive contacts or mechanical contacts which allow electrical information to be retrieved from the position of the valve. These boxes are adapted according to the environment in which they are installed.

BOITIER FIN DE COURSE TECOFI | TECOFI LIMIT SWITCH BOX

Boîtier fin de course TECOFI pour vérin pneumatique - Non ATEX
TECOFI limit switch box for pneumatic actuator - Non-ATEX



Tecofi
VALVE DESIGNER - FRANCE



Protection IP68
Construction : Fonte d'aluminium
Indicateur visuel de position en polycarbonate

IP68 protection
Material: Cast aluminium
Polycarbonate visual position indicator

Ref.

300180034

Montage sur toute la gamme de vérin 1/4T (TDA / TSR)
Adapted for all pneumatic actuator types 1/4T (TDA / TSR)



Visserie, axe et arcade de montage en Inox 304 inclus. Facile à installer et robuste.
Stainless Steel 304 screws, axis and mounting arch. Easy to install and resistant.

➔ Gamme TOPWORX | TOPWORX range

*Ces kits contiennent le boîtier fin de course et le kit de montage nécessaire (montage NAMUR)
*These kits contain the limit switch box and the necessary mounting kit (NAMUR mounting)

- ✓ Compact : usage optimal de l'espace
- ✓ Conception ingénieuse de la came : accès facile et précis du réglage
- ✓ Identification rapide des contacteurs
- ✓ Montage direct : hauteur réduite, accessoires de montage limités

- ✓ Compact: optimized use of space
- ✓ Unique cam design: easy access and accurate setting or sensor position
- ✓ Quick identification of open/closed switches
- ✓ Direct-mounting feature: reducing height, avoiding expensive mounting brackets

TVA-E2WGNM | TVA-M20GNM - BOITIER FIN DE COURSE | LIMIT SWITCH BOX

Inductif | Inductive

Boîtier fin de course inductif TopWorx
Inductive TOPWORX limit switch box



BOITIER SERIE TVA :
Coque et couvercle en résine
IP 68
Affichage visuel standard vert "ouvert" / rouge "fermé"
Arbre NAMUR
Connexion en entrée de boîtier M20
Joints silicone
Kit de montage

TVA SERIES BOX:
Composite resin body and cover
IP 68
Intuitive colors green OPEN, red CLOSED
NAMUR shaft
M20 Box entry connection
Silicone O-rings
Mounting kit



ATEX Zone 1/T6

Non ATEX 2 capteurs inductifs NAMUR 8V p+f NJ2-V3-N inductive NAMUR 8V p+f NJ2-V3-N				ATEX ZONE 1 / T6 (Ex ia) 2 contacts mécaniques / mechanical			
Vérin simple effet / Single acting		Vérin double effet / Double acting		Vérin simple effet / Single acting		Vérin double effet / Double acting	
Type	Ref.	Type	Ref.	Type	Ref.	Type	Ref.
TSR-063	300200120 (30x80*)	TDA - 052	300200120 (30x80*)	TSR-063	300200122 (30x80*)	TDA - 052	300200122 (30x80*)
TSR-063		TDA - 052		TSR-063		TDA - 052	
TSR-083		TDA - 063		TSR-083		TDA - 063	
TSR-092		TDA - 063		TSR-092		TDA - 063	
TSR-105		TDA - 083		TSR-105		TDA - 083	
TSR-125	300200121 (30x130*)	TDA - 083	300200121 (30x130*)	TSR-125	300200123 (30x130*)	TDA - 083	300200123 (30x130*)
TSR-140		TDA - 092		TSR-140		TDA - 092	
TSR-160		TDA - 125		TSR-160		TDA - 125	
TSR-190	300200121 (30x130*)	TDA - 140	300200121 (30x130*)	TSR-190	300200123 (30x130*)	TDA - 140	300200123 (30x130*)
TSR-210		TDA - 160		TSR-210		TDA - 160	



TXP-E2CGNMM - BOITIER FIN DE COURSE ATEX | ATEX LIMIT SWITCH BOX

Inductif | Inductive

Boîtier fin de course inductif TopWorx
Inductive TOPWORX limit switch box



BOITIER SERIE TXP :
Coque et couvercle en aluminium tropicalisé
2 capteurs inductifs NAMUR 8V p+f NJ2-V3-N
IP 67
Affichage visuel standard vert "ouvert" / rouge
"fermé"
Arbre NAMUR
Connexion en entrée de boîtier M20
Joints silicone
Kit de montage

VAT SERIES BOX:
Body and cover composite resin
2 inductifs contacts NAMUR 8V p+f NJ2-V3-N
IP 67
Intuitive colors green OPEN, red CLOSED
NAMUR shaft
M20 Box entry connection
Silicone O-rings
Mounting kit



ATEX Zone 1/21 T6/T85°C
Ex db - Ex tb

NEW

Vérin simple effet / Single-Acting		Vérin double effet / Double-Acting	
Type	Ref.	Type	Ref.
TSR-063	300200126 (30x80*)	TDA - 052	300200126 (30x80*)
TSR-063		TDA - 052	
TSR-083		TDA - 063	
TSR-092		TDA - 063	
TSR-105		TDA - 083	
TSR-125	300200127 (30x130*)	TDA - 083	300200127 (30x130*)
TSR-140		TDA - 092	
TSR-160		TDA - 125	
TSR-190		TDA - 140	
TSR-210		TDA - 160	



Résiste aux environnements difficiles grâce à sa conception étanche et robuste.
Resistant in harsh conditions thanks to its seal and robust design.

TVL-M20GNMM - BOITIER FIN DE COURSE ATEX | ATEX LIMIT SWITCH BOX

Mécanique | Mechanical

Boîtier fin de course mécanique TopWorx
TOPWORX mechanical limit switch box



BOITIER SERIE TVL :
Coque et couvercle en aluminium tropicalisé
2 contacts mécaniques secs : 15A/120VCA -
SPDT
IP 68
Affichage visuel standard vert "ouvert" / rouge
"fermé"
Arbre NAMUR
Connexion en entrée de boîtier M20
Joints silicone
Kit de montage

TVL SERIES BOX:
Body and cover composite resin
2 dry mechanical contacts: 15A/120VAC - SPDT
IP 68
Intuitive colors green OPEN, red CLOSED
NAMUR shaft
M20 Box entry connection
Silicone O-rings
Mounting kit



ATEX Zone 1/21 T6/T75°C
(Ex ia - Ex tb)

NEW

Vérin simple effet / Single-Acting		Vérin double effet / Double-Acting	
Type	Ref.	Type	Ref.
TSR-063	300200124 (30x80*)	TDA - 052	300200124 (30x80*)
TSR-063		TDA - 052	
TSR-083		TDA - 063	
TSR-092		TDA - 063	
TSR-105		TDA - 083	
TSR-125	300200125 (30x130*)	TDA - 083	300200125 (30x130*)
TSR-140		TDA - 092	
TSR-160		TDA - 125	
TSR-190		TDA - 140	
TSR-210		TDA - 160	

KIT DOUBLE DETECTEUR INDUCTIF | DOUBLE INDUCTIVE KIT DETECTOR

Kit double détecteur inductif pour vanne 1/4T pneumatique
 Double inductive detector kit for 1/4T pneumatic actuated valves



- Composé de :
- Double détecteur inductif IFM M12
 - Connecteur coudé F + câble 2m
 - Came porte drapeau + platine de montage

- Actuator equipped with:
- Double inductive detector IFM M12
 - Female elbow connector + 2m cable
 - Case / Contact limit

Type de vérin / Actuator type	Ref.
TDA / TSR052 --> TDA / TSR105	300190336
TDA / TSR 125 --> TDA / TSR400	300190337



Type	Ref.
IFM M12	IF5225-M12

KIT D'AUTOMATISATION AS-INTERFACE | AS-INTERFACE KIT

Kit AS-I Bus pour vérin pneumatique
 AS-Interface automation kit for pneumatic actuator



- Composé de :
- 1 détecteur double avec connexion pour électrovannes
 - 1 came porte-drapeaux
 - 1 pièce d'écartement
 - 1 électrodistributeur Norgreen Herion
 - 2 silencieux plastique
 - 1 câble de connexion
 - 1 prise vampire

- Comprised of:
- 1 dual sensor with connection for solenoid valves
 - 1 target puck
 - 1 spacer
 - 1 Norgreen Herion solenoid valve
 - 2 plastic silencers
 - 1 cable connector
 - 1 insulation displacement connector

Type de vérin Actuator type	Ref.
TDA/TSR052 --> TDA/TSR105	401200030
TDA/TSR 125 --> TDA/TSR400	401200031



- ✓ Le bus AS-I permet de diminuer le nombre de câbles nécessaire à l'utilisation d'un grand nombre de capteurs ou de pré-actionneurs : ces derniers sont reliés directement ou par l'intermédiaire d'une embase à l'automate central via 1 seul câble.
- ✓ Chaque embase permet de connecter jusqu'à 4 capteurs ou pré-actionneurs au bus.
- ✓ Le bus AS-I permet d'utiliser jusqu'à 31 embases, soit 124 capteurs (plus sur demande), tout en conservant un temps de réaction très faible (soit 5ms).
- ✓ La longueur maximale d'un segment AS-I est de 100m (au-delà sur demande).


- ✓ The AS-I bus reduces the number of cables required to install a large number of sensors or pre-actuators: these are connected directly or via the central PLC baseplate via a single cable.
- ✓ Each baseplate allows up to 4 sensors or pre-actuators to be connected to the bus.
- ✓ The AS-I bus allows up to 31 baseplates to be used, being 124 sensors (more on request), all while maintaining a low reaction time (5ms).
- ✓ The maximum length of a AS-I segment is 100m (more on request).



 **Electrodistributeur NON ATEX | NON ATEX solenoid valve**
ELECTRODISTRIBUTEUR NAMUR NON ATEX I NON-ATEX**Monostable**

Electrodistributeur ASCO monostable G551A001MS montage namur NON ATEX pour vérin simple et double effet
 ASCO NON-ATEX solenoid valve monostable G551A001MS namur for controlling double-acting and single-acting actuator



 Commande électropneumatique (avec commande manuelle)
 3/2 NF – 5/2 rappel ressort
 Raccordement NAMUR G1/4"
 Bobine époxy
 IP 65
 Aluminium anodisé noir
 Pression différentielle : 2 – 10 bar
 Plage de température : -25°C / +60°C
 Débit : 700L/min à 6 bar


Electro-pneumatic control (with manual override)
 3/2 NF – 5/2 spring return
 Connection NAMUR G1/4"
 Epoxy coil
 IP 65
 Anodized aluminium
 Differential pressure: 2-10bar
 Temperature range: -25°C / +60°C
 Flow rate: 700L/min at 6 bar

Voltage	Ref.
24VAC	300180062
24VCC	300180063
48VAC	300180064
48VCC	300180065
230VAC	300180066

ELECTRODISTRIBUTEUR NAMUR GRAND DÉBIT NON ATEX I NON-ATEX HIGH FLOW**Monostable**


Electrodistributeur ASCO monostable G553A001S3 montage namur NON ATEX pour vérin simple et double effet
 ASCO NON-ATEX solenoid valve monostable G553A001S3 namur for controlling double-acting and single-acting actuator



 Commande électropneumatique (avec commande manuelle)
 3/2 NF – 5/2 rappel ressort
 Raccordement NAMUR G1/2"
 Bobine époxy
 IP 65
 Aluminium anodisé noir
 Pression différentielle : 2 – 10 bar
 Plage de température : -25°C / +60°C

Electro-pneumatic control (with manual override)
 3/2 NF – 5/2 spring return
 Connection NAMUR G1/2"
 Epoxy coil
 IP 65
 Anodized aluminium
 Differential pressure: 2-10bar
 Temperature range: -25°C / +60°C


Voltage	Ref.
24VAC/50-60 Hz	G553A001S3AN
24VCC	G553A001S3D2
48VAC/50-60 Hz	G553A001S3AP
48VCC	G553A001S3D3
115VAC/50 Hz	G553A001S3A5
230VAC/50 Hz	G553A001S3A8

 **Electrodistributeur grand débit : 3000L/min (à 6 bar)**
High flow solenoid valve : 3000L/min (at 6 bar)

ELECTRODISTRIBUTEUR NAMUR NON ATEX I NON-ATEX NAMUR SOLENOID VALVE**Bistable**

Electrodistributeur ASCO bistable G551A002 G1/4 montage namur NON ATEX pour vérin simple et double effet
 ASCO NON-ATEX solenoid valve bistable G551A002M G1/4 namur for controlling double-acting and single-acting actuator



 Commande électropneumatique (avec commande manuelle)
 3/2 NF – 5/2 rappel ressort
 Raccordement NAMUR G1/4"
 Bobine époxy
 IP 65
 Aluminium anodisé noir
 Pression différentielle : 2 – 10 bar
 Plage de température : -25°C / +60°C
 Débit : 700L/min à 6 bar


Electro-pneumatic control (with manual override)
 3/2 NF – 5/2 spring return
 Connection NAMUR G1/4"
 Epoxy coil
 IP 65
 Anodized aluminium
 Differential pressure: 2-10bar
 Temperature range: -25°C / +60°C
 Flow rate: 700L/min at 6 bar

Voltage	Ref.
24VAC	G551A002MS.24/50-60
24VDC	G551A002MS.24/DC
48VAC	G551A002MS.48/50-60
48VDC	G551A002MS.48/DC
230VAC	G551A002MS.230/50

ELECTRODISTRIBUTEUR NAMUR GRAND DÉBIT NON ATEX I NON-ATEX NAMUR HIGH FLOW SOLENOID VALVE**Bistable**


Electrodistributeur ASCO bistable G553A002 G1/2 montage namur NON ATEX pour vérin simple et double effet
 ASCO NON-ATEX solenoid valve bistable G1/2 namur G553A002 for controlling double-acting and single-acting actuator



 Commande électropneumatique (avec commande manuelle)
 3/2 NF – 5/2 rappel ressort
 Raccordement NAMUR G1/2"
 Bobine époxy
 IP 65
 Aluminium anodisé noir
 Pression différentielle : 2 – 10 bar
 Plage de température : -25°C / +60°C

Electro-pneumatic control (with manual override)
 3/2 NF – 5/2 spring return
 Connection NAMUR G1/2"
 Epoxy coil
 IP 65
 Anodized aluminium
 Differential pressure: 2-10bar
 Temperature range: -25°C / +60°C

Voltage	Ref.
24VAC	G553A002MS.24/50-60
24VDC	G553A002MS.24/DC
48VAC	G553A002MS.48/50-60
48VDC	G553A002MS.48/DC
230VAC	G553A002MS.230/50

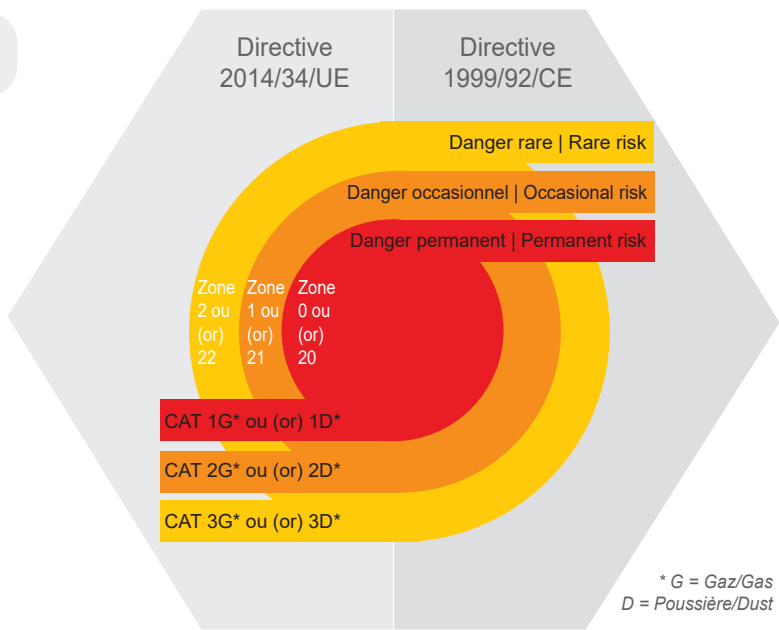
 **Electrodistributeur grand débit : 3000L/min (à 6 bar)**
High flow solenoid valve : 3000L/min (at 6 bar)

Electrodistributeur ATEX | ATEX solenoid valves

Voir guide technique page 341
See technical guide on page 341

Des produits conformes à la directive ATEX 2014/34/UE

Products compliant with the ATEX directive 2014/34/EU



ELECTRODISTRIBUTEUR NAMUR ATEX | ATEX NAMUR SOLENOID VALVE

Monostable

Electrodistributeur ASCO monostable namur ATEX pour vérin simple et double effet
ASCO ATEX solenoid valve monostable namur for controlling double-acting and single-acting actuator

NEW



Commande électropneumatique (sans commande manuelle)
3/2 NF - 5/2 rappel ressort
Raccordement NAMUR G1/4
Distributeur avec bobine époxy ATEX
IP65
Aluminium anodisé noir
Pression différentielle : 2-10bar
Plage de température : -10°C / +50°C
Débit : 700L/min
Protection Ex tc

Electro-pneumatic control (without manual override)
3/2 NF - 5/2 spring return
Connection NAMUR G1/4
Distributor with ATEX epoxy coil
IP65
Anodized aluminium
Differential pressure: 2-10bar
Temperature range: -10°C / +50°C
Flow rate: 700L/min
Ex tc protection

Voltage	Ref.
24VDC	SGG551A001.24/DC
230VAC	SGG551A001.230/50-60

3G T4 Zone 2
3D T115°C Zone 22

ELECTRODISTRIBUTEUR NAMUR ATEX | ATEX NAMUR SOLENOID VALVE

Monostable

Electrodistributeur ASCO monostable namur ATEX pour vérin simple et double effet
ASCO ATEX solenoid valve monostable namur for controlling double-acting and single-acting actuator

NEW



Commande électropneumatique (sans commande manuelle)
3/2 NF - 5/2 rappel ressort
Raccordement NAMUR G1/4
Distributeur avec bobine intégrée dans un boîtier aluminium antidéflagrant
IP67
Pression différentielle : 2-10bar
Plage de température : -25°C / +60°C
Débit : 700L/min
Protection Ex d et Ex tb

HIGH PROTECTION

Electro-pneumatic control (without manual override)
3/2 NF - 5/2 spring return
Connection NAMUR G1/4
Distributor with coil integrated in an explosion proof aluminium box
IP67
Differential pressure: 2-10bar
Temperature range: -25°C / +60°C
Flow rate: 700L/min
Protection Ex d and Ex tb

Voltage	Ref.
24VDC	LPKFG551B301.24/DC
230VAC	LPKFG551B301.230/50

2G T6 Zone 1
2D T135°C Zone 21

ELECTRODISTRIBUTEUR NAMUR ATEX | ATEX NAMUR SOLENOID VALVE

Monostable

Electrodistributeur ASCO monostable namur ATEX pour vérin simple et double effet
ASCO ATEX solenoid valve monostable namur for controlling double-acting and single-acting actuator



Commande électropneumatique (sans commande manuelle)
3/2 NF - 5/2 rappel ressort
Raccordement NAMUR G1/4
IP65
Pression différentielle : 2-10 bar
Plage de température : -25°C +60°C
Débit : 700L/min
Sécurité intrinsèque Ex ia et Ex ib

Electro-pneumatic control (without manual override)
3/2 NF - 5/2 spring return
Connection NAMUR G1/4
IP65
Differential pressure: 2-10bar
Temperature range: -25°C / +60°C
Flow rate: 700L/min
Intrinsic safety Ex ia et Ex ib



Voltage	Ref.
24VDC	LISCG551B201.24/DC

2G T6 Zone 1
2D T85°C Zone 21

SILENCIEUX | SILENCER

Silencieux d'échappement pour électrodistributeur réglable
Silencer for solenoid valve



Corps : Laiton
Raccordement : Fileté BSP

Body: Brass
Connection: Male BSP



Réduit le bruit d'échappement à la sortie de l'air.
Decrease the exhaust noise at the air outlet.

DN	Ref.
1/8"	EDSILENCE-0005
1/4"	EDSILENCE-0008

FREIN | THROTTLE

Frein d'échappement pour électrodistributeur
Adjustable throttle valve for solenoid valve



Construction: Laiton

Construction: Brass



Réduit le temps de manoeuvre des vannes (ouverture et/ou fermeture)
Slows the valve's operating time (opening and/or closing)

DN	Ref.
1/8"	EDFREIN-0005
1/4"	EDFREIN-0008



Traitement d'air | Air treatment

REGULATEUR | REGULATOR

Régulateur pour air comprimé
Regulator for compressed air



Corps : Aluminium
Tube : Polycarbonate
Température de service : -10/+60°C
Pression de service : 0,5 à 10 bar
Précision du régulateur : 0,2 bar
Raccordement : Femelle BSP
Avec manomètre et support
Voir les courbes de débits (L/min) selon la pression d'entrée et de sortie sur le passeport technique.

Body: Aluminium
Tube: Polycarbonate
Working temperature: -10/+60°C
Working pressure: 0,5 to 10 bar
Regulator precision: 0,2 bar
Connection: BSP threaded ends
With pressure gauge and mounting kit
Consult the technical data sheet for the flows curve.

DN	Ref.
1/4"	FRL1733-0008
3/8"	FRL1733-0010
1/2"	FRL1733-0015

FILTRE REGULATEUR | REGULATOR FILTER

Filtre | Filter

Filtre régulateur pour air comprimé
Filter + regulator for compressed air



Corps : Aluminium
Tube : Polycarbonate
Filtration : 5µ
Température de service : 0/+50°C
Pression de service : 1/4"-1/2" : 10 bar
3/4"-1" : 12 bar
1 cartouche de filtration

Body: Aluminium
Tube: Polycarbonate
Filtration: 5µ
Working temperature: 0/+50°C
Working pressure: 1/4"-1/2": 10 bar
3/4"-1": 12 bar
1 filter cartridge

DN	Ref.
1/4"	FRL1731-0008
3/8"	FRL1731-0010
1/2"	FRL1731-0015



FILTRE REGULATEUR LUBRIFICATEUR | LUBRICATOR FILTER REGULATOR

Lubrificateur | Lubricator

Filtre régulateur et lubrificateur pour air comprimé
Lubricator filter + regulator for compressed air



Corps : Aluminium
Tube : Polycarbonate
Filtration : 5µ
Température de service : 0/+50°C
Pression de service : 1/4"-1/2" : 10 bar
3/4"-1" : 12 bar
2 cartouches de filtration

Body: Aluminium
Tube: Polycarbonate
Filtration: 5µ
Working temperature: 0/+50°C
Working pressure: 1/4"-1/2": 10 bar
3/4"-1": 12 bar
2 filter cartridges

DN	Ref.
1/4"	FRL1730-0008
3/8"	FRL1730-0010
1/2"	FRL1730-0015



Faible encombrement. Garantie un apport d'air lubrifié de qualité et assure le rendement des équipements.
Small footprint, low mass. Guarantees quality lubricated air supply and ensures the performance of the equipment.



Electropositionneurs numériques | Digital electropositioners

Permet la régulation de position de vannes actionnées par des vérins pneumatiques 1/4 tour.

Allow the position regulation of valves actuated by pneumatic actuators 1/4 turn.

- ✓ Simplicité de montage
- ✓ Qualité de régulation élevée
- ✓ Faible consommation d'air comprimé
- ✓ Insensible aux vibrations (faibles masses en mouvement)
- ✓ Disponible pour vérins DE et SE, en atmosphère non explosive ou explosive (ATEX)

- ✓ Simple assembly
- ✓ High regulation quality
- ✓ Low compressed air consumption
- ✓ Resistant to vibrations (low moving masses)
- ✓ Available for DA and SA actuators, in non-explosive or potentially explosive atmosphere (ATEX)

Double effet | Double-acting



Un électropositionneur peut coûter jusqu'à 20% de son prix d'achat par an en air comprimé! Le modèle SIPART de Siemens® offre une faible consommation d'air (36 NI/h) ce qui le place parmi le meilleur du marché.
An electro pneumatic positioner can cost up to 20% of its purchase price in compressed air per year! The Siemens SIPART® offers low air consumption (36NI/h), placing it as one of the best on the market.

ELECTROPOSITIONNEUR POUR VERIN DOUBLE EFFET | ELECTROPOSITIONER FOR DOUBLE-ACTING ACTUATOR

Electropositionneur numérique modèle SIEMENS® SIPART - PS2 pour vérin double effet type TDA
SIEMENS electropositionner type SIPART -PS2 for double-acting TDA actuator type



Type : Electro-pneumatique pour vérin double effet
Température de fonctionnement : -30°C/+80°C
Pression d'alimentation : 1,4 à 7 bar.
Boîtier : Macrolon®
IP66
Affichage : Par écran LCD
Signal de commande : 4 - 20 mA
Air comprimé conforme ISO 8573-1 CLASSE 2
Comprend arcade inox pour montage sur vérin, entraîneur pour vérin, vis, rondelle

Type: Electro-pneumatic for double acting actuator
Service temperature: -30°C/+80°C
Air supply: 1.4 up to 7 bar
Body: Macrolon®
IP66
Display: LCD screen
Input signal: 4-20 mA
Air supply according to ISO 8573-1 CLASS 2
Includes stainless steel arch for mounting on the actuator, bolts

DN		POSSIE-DE	POSSIE-DE + POSSIE-RECOPIE 4-20MA	POSSIE-DE + POSSIE-FDC	POSSIE-DE + POSSIE-RECOPIE 4-20MA + POSSIE-FDC
mm	inch	Ref.	Ref.	Ref.	Ref.
32-150	1"1/4 - 5"	300180072	300180073	300200074	300200078
		300180074	300180075	300200076	300200080
200-900	8" - 36"	300180302	300180303	300200075	300200079
		300180304	300180305	300200077	300200081

RECOPIE : Information du positionnement sur un tableau / Information about positioning information on a board
FDC : Fin de course qui permet d'indiquer la position / Limit switch indicates the position

Zone ATEX I ATEX zone : II 2G Ex ia IIC T6/T4 Gb
II 3G Ex ic IIC T6/T4 Gc

Autres types de protections sur demande | Other protection zone on request



Simple effet | Single-acting

ELECTROPOSITIONNEUR + RECOPIE | ELECTROPOSITIONER + FEEDBACK

+ Recopie 4-20mA

Electropositionneur numérique modèle SIEMENS SIPART - PS2 pour vérin simple effet type TSR
SIEMENS electropositionner type SIPART -PS2 for single-acting TSR-type actuator



Type : Electro-pneumatique pour vérin simple effet type TSR
Température de fonctionnement : -30°C/+80°C
Pression d'alimentation : 1,4 à 7 bar
Boîtier : Macrolon®
IP66
Affichage : Par écran LCD
Signal de commande : 4 - 20 mA
Air comprimé conforme ISO 8573-1 CLASSE 2
Comprend arcade inox pour montage sur vérin, entraineur pour vérin, vis, rondelle

Type: Electro-pneumatic for single-acting actuator TSR type
Service temperature: -30°C/+80°C
Air supply: 1.4 up to 7 bar
Body: Macrolon®
IP66
Display: LCD screen
Input signal: 4-20 mA
Air supply according to ISO 8573-1 CLASS 2
Includes Stainless steel arch for mounting on the actuator, bolts

DN		POSSIE-SE	POSSIE-SE + POSSIE-RECOPIE 4-20MA	POSSIE-SE + POSSIE-FDC	POSSIE-SE + POSSIE-RECOPIE 4-20MA + POSSIE-FDC
mm	inch	Ref.	Ref.	Ref.	Ref.
32-100	1"1/4 - 4"	300200058	300200062	300200066	300200070
		300200060	300200064	300200068	300200072
125-900	5"-36"	300200059	300200063	300200067	300200071
		300200061	300200065	300200069	300200073

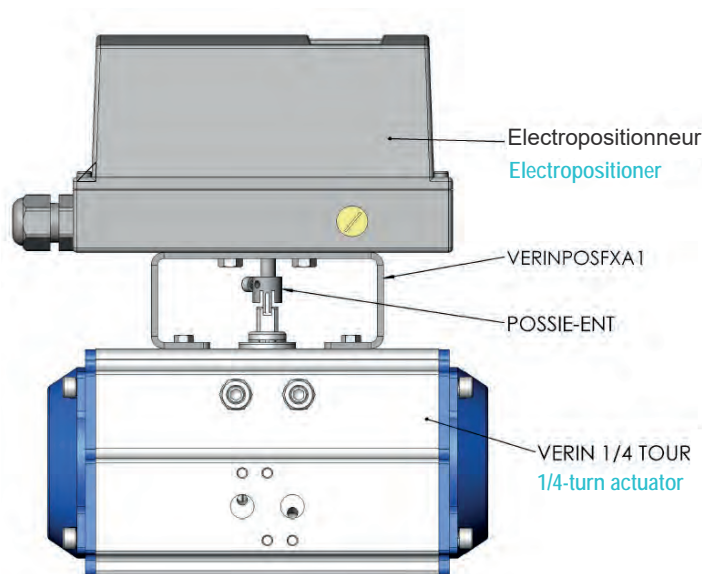
RECOPIE : Renseignement de l'information du positionnement sur un tableau / Information about positioning information on a board
FDC : Fin de course qui permet d'indiquer visuellement la position / Limit switch visually indicates the position

Zone ATEX | ATEX zone : II 2G Ex ia IIC T6/T4 Gb
III 3G Ex ic IIC T6/T4 Gc

Autres types de protections sur demande | Other protection zone on request



Montage type : KIT POSSIE-DE sur vérin pour VPI DN40-150 (vérins TDA052 à TDA105)
KIT: POSSIE-DE on actuator for VPI DN40-150 (actuators TDA052 to TDA105)



TECWAT

VP ARBRE HUMIDE I WET SHAFT BV DN 80-2000 - PN10/16/25/40



La vanne papillon TECOFI double excentration à brides est particulièrement adaptée pour les stations de pompage et d'irrigation ou réseaux d'adduction d'eau. Elle peut aussi être utilisée pour des applications avec eau de mer ou pour l'industrie. Elle résiste à de fortes pressions et à une température maximale de 80°. Elle peut être à carré, contrôlée par réducteur manuel avec indicateur de position, actionneur pneumatique ou électrique. Conçue suivant la norme EN 593, et testée selon les standards internationaux, la TECWAT est conforme aux certifications EN 1074, WRAS et ACS.

This TECOFI double eccentric butterfly valve, long pattern, with flange connection is ideal for water supply and water pipelines. It can be used with potable water, sea water or industrial application at a max T° of 80°C. Available with conical square, manual gearbox, pneumatic or electric actuator. Design according to EN 593, test procedures established according to international standards, the TECWAT is EN 1074, WRAS and ACS certified.

EN 1074



ACS



Version arbre sec IP67 page 69
Dry shaft version IP67 page 69

ANNEAUX DE LEVAGE

Lifting rings

JOINT EPDM

EPDM seal

PEINTURE REVÊTUE

ÉPOXY

250 MICRONS

Epoxy painting, thickness 250µm

SIÈGE INOX

Étanchéité bi-directionnelle
Modèle double excentration
Montage à sens préférentiel
Stainless steel seat
Bidirectional tightness
Double eccentric type
Assembly with preferred direction

CORPS ET PAPILLON FONTE DUCTILE EN-GJS-500-7

(autres constructions sur demande)

Ductile iron EN-GJS-500-7 body and disc (other material on request)

RÉDUCTEUR MOTORISABLE (IP65 EN STANDARD)

AVEC PLATINE ISO

Worm gear with ISO mounting plate for electric actuator



PIEDS D'ASSISE

Heel support

EN OPTION

Option

- ✓ IP68
- ✓ Capteur fin de course
- ✓ A carré
- ✓ IP68
- ✓ Limit switch box
- ✓ Conical square

✓ Type à double excentration minimisant l'usure du papillon, prolonge la durabilité et réduit les couples de manoeuvre.

✓ Conception du disque étudiée pour éviter l'usure et les vibrations.

✓ Joint de siège inarrachable et resserrable

✓ Gamme complète du DN80 au 2000 PN10-16-25-40 et en stock jusqu'au DN1200 selon les versions. (ASA150 - ASA300 sur demande).

✓ The double eccentric type design extends the durability and reduces operating torque.

✓ The disc design prevents wear and vibrations.

✓ Untearable seat gasket.

✓ Complete range DN100 up to DN2000 PN10-16-25-40, in stock up to DN1200 depending on the model. (ASA150 - ASA300 on request).

ATTENTION : La gamme des TECWAT ARBRE HUMIDE **PN10 - PN16** va être progressivement remplacée par notre offre TECWAT ARBRE SEC IP67 (p.69)

EVOLUTION : The TECWAT **PN10 - PN16** range is being replaced by our new TECWAT DRY SHAFT IP67 range (p.69)





**VANNE À PAPILLON DOUBLE EXCENTRATION
DOUBLE ECCENTRIC BUTTERFLY VALVE**



Arbre humide | Wet shaft

VP4201 | VP4241 | VP4251 | VP4261-08EP

Vanne à papillon à double excentration arbre humide type TECWAT à réducteur
Double eccentric wet shaft type butterfly valve TECWAT with gear box



Corps : Fonte ductile EN-GJS-500-7 (GGG50) Epoxy
Papillon : Fonte ductile EN-GJS-500-7 (GGG50) Epoxy
Etanchéité : Inox / EPDM
Raccordement : À brides
Température de service max : +80°C
Manoeuvre : Réducteur à volant avec platine de motorisation ISO
Ecartement long
Etanchéité bi-directionnelle avec un sens de montage préférentiel
Conception suivant la norme EN 593

Body: Ductile iron EN-GJS-500-7 (GGG50) Epoxy coated
Disc: Ductile iron EN-GJS-500-7 (GGG50) Epoxy coated
Seat: Stainless steel / EPDM
Connection: Flanged
Maximum Working temperature: +80°C
Operation: Gearbox with handwheel and ISO top flange for electric actuator connection
Long pattern
Bi-directional sealing with a preferred mounting direction
Design according to EN 593

ACS

PN10/16 - DN<1000 : **EN 1074**



**Papillon inox sur demande
Stainless steel disc on request**



**Certifiée ACS
ACS certified**

**JUSQU'À ÉPUISEMENT DES STOCKS (VOIR P.70)
WHILE STOCKS LAST (SEE ON PAGE 70)**

DN			PN10		PN16		PN25		PN40	
mm	inch	L (mm)	Ref.	Kg	Ref.	Kg	Ref.	Kg	Ref.	Kg
80	3"	-	-	-	VP4241-08EP0080	20	-	-	-	-
100	4"	190	-	-	VP4241-08EP0100	23	-	-	-	-
125	5"	200	-	-	VP4241-08EP0125	28	-	-	-	-
150	6"	210	-	-	*VP4241-08EP0150	31	VP4251-08EP0150	56	-	-
200	8"	230	VP4201-08EP0200	50	VP4241-08EP0200	52	VP4251-08EP0200	80	VP4261-08EP0200	90
250	10"	250	VP4201-08EP0250	62	VP4241-08EP0250	90	VP4251-08EP0250	104	VP4261-08EP0250	158
300	12"	270	*VP4201-08EP0300	94	VP4241-08EP0300	101	VP4251-08EP0300	180	VP4261-08EP0300	265
350	14"	290	VP4201-08EP0350	114	VP4241-08EP0350	153	VP4251-08EP0350	208	VP4261-08EP0350	335
400	16"	310	*VP4201-08EP0400	162	*VP4241-08EP0400	178	VP4251-08EP0400	294	VP4261-08EP0400	405
450	18"	330	VP4201-08EP0450	189	VP4241-08EP0450	245	VP4251-08EP0450	361	VP4261-08EP0450	537
500	20"	350	VP4201-08EP0500	238	*VP4241-08EP0500	316	VP4251-08EP0500	416	VP4261-08EP0500	777
600	24"	390	VP4201-08EP0600	344	VP4241-08EP0600	442	VP4251-08EP0600	618	VP4261-08EP0600	1069
700	28"	430	*VP4201-08EP0700	470	VP4241-08EP0700	613	VP4251-08EP0700	938	VP4261-08EP0700	1650
800	32"	470	*VP4201-08EP0800	662	VP4241-08EP0800	808	VP4251-08EP0800	1192	VP4261-08EP0800	2070
900	36"	510	VP4201-08EP0900	835	VP4241-08EP0900	1130	VP4251-08EP0900	1492	VP4261-08EP0900	3020
1000	40"	550	VP4201-08EP1000	1172	VP4241-08EP1000	1404	VP4251-08EP1000	2111	VP4261-08EP1000	3705
1100	44"	590	VP4201-08EP1100	1852	VP4241-08EP1100	2229	VP4251-08EP1100	2320	VP4261-08EP1100	3482
1200	48"	630	VP4201-08EP1200	1714	VP4241-08EP1200	2308	VP4251-08EP1200	3046	VP4261-08EP1200	5790
1400	56"	710	VP4201-08EP1400	2570	VP4241-08EP1400	3735	VP4251-08EP1400	4808	VP4261-08EP1400	6182
1500	60"	750	VP4201-08EP1500	3140	VP4241-08EP1500	3389	VP4251-08EP1500	4648	VP4261-08EP1500	6958
1600	64"	790	VP4201-08EP1600	3441	VP4241-08EP1600	4459	VP4251-08EP1600	6727	VP4261-08EP1600	8300
1800	72"	870	VP4201-08EP1800	4869	VP4241-08EP1800	6207	VP4251-08EP1800	7884	VP4261-08EP1800	11020
2000	80"	950	VP4201-08EP2000	6516	VP4241-08EP2000	8338	VP4251-08EP2000	11340	VP4261-08EP2000	19400

* Plus disponible en stock / No longer available

EN OPTION | OPTION

**Réducteur motorisable fermeture sens anti-horaire, voir page 75
Motorized gearbox counterclockwise closing, see page 75**

**Adaptateur carré conique sur axe réducteur, voir page 75
Conical square coupling for stem, see on page 75**



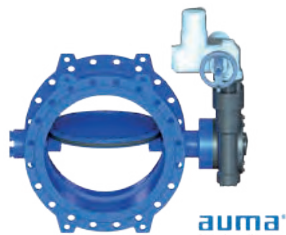


Arbre humide | Wet shaft

VP4201 | VP4241 | VP4251 | VP4261-U04EP

TECWAT AUMA

Vanne à papillon à double excentration type TECWAT avec motorisation AUMA 400V/50Hz on/off
Double eccentric butterfly valve TECWAT with AUMA electric actuator 3-phase 400V/50Hz



Moteur équipé de :
- 2 contacts fin de course
- 1 résistance de chauffe
- 2 limiteurs de couple
Commande manuelle de secours
Indicateur visuel de position
Protection IP68

Actuator equipped with:
- 2 limit switches
- 1 heat resistor
- 2 torque limiters included
Emergency handwheel
Visual position indicator
IP68 protection

ACS

PN10/16 - DN<1000 : EN 1074 WRAS

Papillon inox sur demande
Stainless steel disc on request

Certifiée ACS
ACS certified

JUSQU'À ÉPUISEMENT DES STOCKS WHILE STOCKS LAST										
DN			PN10		PN16		PN25		PN40	
mm	inch	L (mm)	Ref.	Kg	Ref.	Kg	Ref.	Kg	Ref.	Kg
100	4"	190	-	-	VP4241-U04EP0100	42	-	-	-	-
150	6"	210	-	-	VP4241-U04EP0150	50	VP4251-U04EP0150	76	-	-
200	8"	230	VP4201-U04EP0200	71	VP4241-U04EP0200	73	VP4251-U04EP0200	100	VP4261-U04EP0200	133
250	10"	250	VP4201-U04EP0250	82	VP4241-U04EP0250	110	VP4251-U04EP0250	147	VP4261-U04EP0250	201
300	12"	270	VP4201-U04EP0300	114	VP4241-U04EP0300	137	VP4251-U04EP0300	223	VP4261-U04EP0300	285
350	14"	290	VP4201-U04EP0350	157	VP4241-U04EP0350	196	VP4251-U04EP0350	228	VP4261-U04EP0350	378
400	16"	310	VP4201-U04EP0400	205	VP4241-U04EP0400	221	VP4251-U04EP0400	337	VP4261-U04EP0400	448
450	18"	330	VP4201-U04EP0450	232	VP4241-U04EP0450	265	VP4251-U04EP0450	404	VP4261-U04EP0450	580
500	20"	350	VP4201-U04EP0500	258	VP4241-U04EP0500	359	VP4251-U04EP0500	459	VP4261-U04EP0500	820
600	24"	390	VP4201-U04EP0600	387	VP4241-U04EP0600	485	VP4251-U04EP0600	661	VP4261-U04EP0600	1112
700	28"	430	VP4201-U04EP0700	513	VP4241-U04EP0700	656	VP4251-U04EP0700	981	VP4261-U04EP0700	1693
800	32"	470	VP4201-U04EP0800	705	VP4241-U04EP0800	856	VP4251-U04EP0800	1235	VP4261-U04EP0800	2113
900	36"	510	VP4201-U04EP0900	877	VP4241-U04EP0900	1173	VP4251-U04EP0900	1535	VP4261-U04EP0900	3063
1000	40"	550	VP4201-U04EP1000	1255	VP4241-U04EP1000	1447	VP4251-U04EP1000	2154	VP4261-U04EP1000	3748
1100	44"	590	VP4201-U04EP1100	1895	VP4241-U04EP1100	2272	-	-	-	-
1200	48"	630	VP4201-U04EP1200	1797	VP4241-U04EP1200	2351	VP4251-U04EP1200	3089	VP4261-U04EP1200	3950
1400	56"	710	VP4201-U04EP1400	2613	VP4241-U04EP1400	3778	VP4251-U04EP1400	4856	VP4261-U04EP1400	6230
1500	60"	750	VP4201-U04EP1500	3183	VP4241-U04EP1500	3432	VP4251-U04EP1500	4990	VP4261-U04EP1500	7011
1600	64"	790	VP4201-U04EP1600	3484	VP4241-U04EP1600	4507	VP4251-U04EP1600	6775	VP4261-U04EP1600	8353
1800	72"	870	VP4201-U04EP1800	4912	VP4241-U04EP1800	6255	VP4251-U04EP1800	7937	VP4261-U04EP1800	11073
2000	80"	950	VP4201-U04EP2000	6559	VP4241-U04EP2000	8386	VP4251-U04EP2000	11393	VP4261-U04EP2000	19483

Motorisation monophasée pour modèle TECWAT sur demande
Monophase actuator for TECWAT model on request



Kit de motorisation seul page 72
Motorization kit on page 72

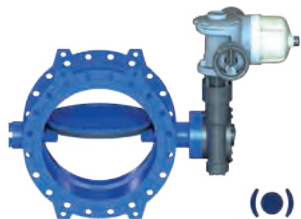


Arbre humide | Wet shaft

VP4201 | VP4241 | VP4251 | VP4261-B04EP

TECWAT BERNARD CONTROLS

Vanne à papillon à double excentration type TECWAT avec motorisation BERNARD CONTROLS 400V/50Hz on/off
Double eccentric butterfly valve TECWAT with BERNARD CONTROLS electric actuator 3-phase 400V/50Hz



- Moteur équipé de :
- 4 contacts fin de course
 - 1 résistance de chauffe
 - 2 limiteurs de couple

Commande manuelle de secours
Indicateur visuel de position
Protection IP68



PN10/16 - DN<1000 :

- Actuator equipped with:
- 4 limit switches
 - 1 heat resistor
 - 2 torque limiters switches
- Emergency handwheel
Visual position indicator
IP68 protection

ACS



Papillon inox sur demande
Stainless steel disc on request



Certifiée ACS
ACS certified

**JUSQU'À ÉPUISEMENT DES STOCKS
WHILE STOCKS LAST**

DN			PN10		PN16		PN25		PN40	
mm	inch	L (mm)	Ref.	Kg	Ref.	Kg	Ref.	Kg	Ref.	Kg
100	4"	190	-	-	VP4241-B04EP0100	48	-	-	-	-
150	6"	210	-	-	VP4241-B04EP0150	56	VP4251-B04EP0150	81	-	-
200	8"	230	VP4201-B04EP0200	75	VP4241-B04EP0200	77	VP4251-B04EP0200	128	VP4261-B04EP0200	138
250	10"	250	VP4201-B04EP0250	110	VP4241-B04EP0250	138	VP4251-B04EP0250	152	VP4261-B04EP0250	206
300	12"	270	VP4201-B04EP0300	142	VP4241-B04EP0300	149	VP4251-B04EP0300	228	VP4261-B04EP0300	313
350	14"	290	VP4201-B04EP0350	162	VP4241-B04EP0350	201	VP4251-B04EP0350	256	VP4261-B04EP0350	383
400	16"	310	VP4201-B04EP0400	210	VP4241-B04EP0400	226	VP4251-B04EP0400	342	VP4261-B04EP0400	453
450	18"	330	VP4201-B04EP0450	237	VP4241-B04EP0450	293	VP4251-B04EP0450	409	VP4261-B04EP0450	585
500	20"	350	VP4201-B04EP0500	263	VP4241-B04EP0500	364	VP4251-B04EP0500	464	VP4261-B04EP0500	825
600	24"	390	VP4201-B04EP0600	392	VP4241-B04EP0600	490	VP4251-B04EP0600	666	VP4261-B04EP0600	1117
700	28"	430	VP4201-B04EP0700	518	VP4241-B04EP0700	661	VP4251-B04EP0700	986	VP4261-B04EP0700	1698
800	32"	470	VP4201-B04EP0800	710	VP4241-B04EP0800	872	VP4251-B04EP0800	1240	VP4261-B04EP0800	2118
900	36"	510	VP4201-B04EP0900	882	VP4241-B04EP0900	1178	VP4251-B04EP0900	1540	VP4261-B04EP0900	3068
1000	40"	550	VP4201-B04EP1000	1220	VP4241-B04EP1000	1452	VP4251-B04EP1000	2159	VP4261-B04EP1000	3753
1100	44"	590	VP4201-B04EP1100	1900	VP4241-B04EP1100	2277	-	-	-	-
1200	48"	630	VP4201-B04EP1200	1762	VP4241-B04EP1200	2356	VP4251-B04EP1200	3094	VP4261-B04EP1200	5854
1400	56"	710	VP4201-B04EP1400	2618	VP4241-B04EP1400	3783	VP4251-B04EP1400	4872	VP4261-B04EP1400	6246
1500	60"	750	VP4201-B04EP1500	3188	VP4241-B04EP1500	3437	VP4251-B04EP1500	4712	VP4261-B04EP1500	7024
1600	64"	790	VP4201-B04EP1600	3489	VP4241-B04EP1600	4507	VP4251-B04EP1600	6791	VP4261-B04EP1600	8366
1800	72"	870	VP4201-B04EP1800	4917	VP4241-B04EP1800	6271	VP4251-B04EP1800	7950	VP4261-B04EP1800	11086
2000	80"	950	VP4201-B04EP2000	6580	VP4241-B04EP2000	8404	VP4251-B04EP2000	11406	VP4261-B04EP2000	19466

Motorisation monophasée pour modèle TECWAT sur demande
Monophase actuator for TECWAT model on request



Kit de motorisation seul page 73
Motorization kit on page 73



TECWAT

VP ARBRE SEC I DRY SHAFT BV DN 80-1600 - PN10/16



Grande résistance à la corrosion High resistance to corrosion



- ✓ 100% étanche : arbre chemisé limitant l'usure des axes
- ✓ Réducteur avec platine IP67 avec indicateur de position en standard
- ✓ Sans entretien grâce aux paliers auto-lubrifiés
- ✓ Résistant à la corrosion :
 - Boulonnerie acier inoxydable 304
 - Revêtement par poudre époxy 250µm cuite au four
- ✓ Indice de protection du réducteur IP67
- ✓ Papillon à double excentration
- ✓ Arbre Inox 420 et siège Inox 304
- ✓ Embase normalisée ISO 5210 permettant le montage d'actionneurs électriques
- ✓ Conforme aux agréments WRAS/ACS pour eau potable / EN1074

- ✓ 100% watertight: sleeved shaft limits wear on the axes.
- ✓ IP67 mechanical gearbox and position indicator as standard
- ✓ Self-lubricated bearings : maintenance free
- ✓ High resistance to corrosion:
 - Retaining ring bolts in Stainless Steel 304
 - Oven-baked epoxy powder coating 250µm
- ✓ Gearbox protection class IP67
- ✓ Double eccentric disc
- ✓ ISO 5210 standardized upper flange for electric actuators installation
- ✓ Conform to WRAS/ ACS potable water certifications / EN1074



Étanchéité Bi-directionnelle

- ✓ L'axe sans jeu est relié au papillon. Il n'est jamais en contact avec le fluide, ce qui le protège de la corrosion.
- ✓ Siège d'étanchéité encastré et maintenu en place par la frette en inox et resserrable (durée de vie).
- ✓ Couple de manœuvre réduit.
- ✓ Faible perte de charge.
- ✓ Réducteur IP67.

Bi-directional sealing

- ✓ The backlash-free shaft is connected to the disc. It is never in contact with the fluid, protecting it from corrosion.
- ✓ Built-in watertight seat held in place by Stainless steel retaining ring.
- ✓ Reduced operating torque.
- ✓ Low pressure drop.
- ✓ IP67 manual gearbox with handwheel.

CORPS ET PAPILLON FONTE DUCTILE EN-GJS-500-7 (GGG50) *

Ductile iron EN-GJS-500-7 body and disc (GGG50)*

ANNEAUX DE LEVAGE

Lifting eyes

ARBRE SEC INOX 420

Stainless steel 420 dry shaft

PALIER ALUMINIUM BRONZE

Aluminium bronze bearing

RÉDUCTEUR À VOLANT AVEC PLATINE DE MOTORISATION IP67

Manual gearbox IP67 with ISO top flange for actuator connection

JOINT DE SIÈGE EPDM

*Resserable (changement sans démontage papillon)
EPDM seat gasket
Retightenable (can be changed without dismantling the disc)*

PIEDS D'ASSISE

Support foot

EN 1074



SIÈGE INOX 304

Stainless steel 304 seat

* Autres nuances sur demande
Other material on request





**VANNE À PAPILLON DOUBLE EXCENTRATION - ARBRE SEC
DOUBLE ECCENTRIC BUTTERFLY VALVE - DRY SHAFT**



Arbre sec | Dry shaft

VP4208-08EP | VP4248-08EP

Vanne à papillon à double excentration type TECWAT arbre sec - Réducteur IP67
Double eccentric butterfly valve TECWAT - dry shaft - IP67 gearbox



Corps : Fonte ductile EN-GJS-500-7 (GGG50)
Papillon : Fonte ductile EN-GJS-500-7 (GGG50)
Etanchéité : EPDM
Raccordement : À brides
Température de service max : +80°C
Manoeuvre : Réducteur à volant avec platine de motorisation ISO
Platine de motorisation ISO (IP67)



DN<1000



**Arbre sec
Dry shaft**

Body: Ductile iron EN-GJS-500-7 (GGG50)
Disc: Ductile iron EN-GJS-500-7 (GGG50)
Seat: EPDM
Connection: Flanged
Maximum Working temperature: +80°C
Operation: IP67 manual gearbox with handwheel
ISO top flange for electric actuator connection



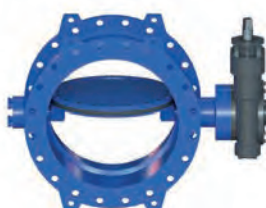
EN OPTION | OPTION

**Réducteur motorisable fermeture sens anti-horaire p.75
Motorized gearbox counterclockwise closing p.75**

DN			PN10		PN16	
mm	inch	L (mm)	Ref.	Kg	Ref.	Kg
80	3"	180	voir / see PN16		VP4248-08EP0080	17
100	4"	190			VP4248-08EP0100	23
125	5"	200			VP4248-08EP0125	28
150	6"	210			VP4248-08EP0150	31
200	8"	230		VP4208-08EP0200	50	VP4248-08EP0200
250	10"	250	VP4208-08EP0250	62	VP4248-08EP0250	90
300	12"	270	VP4208-08EP0300	94	VP4248-08EP0300	103
350	14"	290	VP4208-08EP0350	114	VP4248-08EP0350	153
400	16"	310	VP4208-08EP0400	162	VP4248-08EP0400	178
450	18"	330	VP4208-08EP0450	189	VP4248-08EP0450	245
500	20"	350	VP4208-08EP0500	238	VP4248-08EP0500	316
600	24"	390	VP4208-08EP0600	344	VP4248-08EP0600	442
700	28"	430	VP4208-08EP0700	470	VP4248-08EP0700	613
800	32"	470	VP4208-08EP0800	662	VP4248-08EP0800	808
900	36"	510	VP4208-08EP0900	835	VP4248-08EP0900	1130
1000	40"	550	VP4208-08EP1000	1172	VP4248-08EP1000	1404
1100	44"	590	VP4208-08EP1100	1852	VP4248-08EP1100	2229
1200	48"	630	VP4208-08EP1200	1714	VP4248-08EP1200	2308
1400	56"	710	VP4208-08EP1400	2570	VP4248-08EP1400	3735
1500	60"	750	VP4208-08EP1500	3140	VP4248-08EP1500	3389
1600	64"	790	VP4208-08EP1600	3441	VP4248-08EP1600	4459

VP4208-051EP | VP4248-51EP

Vanne à papillon à double excentration type TECWAT arbre sec - À carré
Double eccentric butterfly valve TECWAT - dry shaft - with square



Corps : Fonte ductile EN-GJS-500-7 (GGG50)
Papillon : Fonte ductile EN-GJS-500-7 (GGG50)
Etanchéité : EPDM
Raccordement : À brides
Température de service max : +80°C
Manoeuvre : A carré de manoeuvre



DN<1000



**Arbre sec
Dry shaft**

Retrouvez le carré seul en page 75.

Body: Ductile iron EN-GJS-500-7 (GGG50)
Disc: Ductile iron EN-GJS-500-7 (GGG50)
Seat: EPDM
Connection: Flanged
Maximum Working temperature: +80°C
Operation: With square

Find the conical square on page 75.

DN			PN10		PN16	
mm	inch	L (mm)	Ref.	Kg	Ref.	Kg
80	3"	180	voir / see PN16		VP4248-051EP0080	17
100	4"	190			VP4248-051EP0100	23
125	5"	200			VP4248-051EP0125	28
150	6"	210			VP4248-051EP0150	31
200	8"	230		VP4208-051EP0200	50	VP4248-051EP0200
250	10"	250	VP4208-051EP0250	62	VP4248-051EP0250	90
300	12"	270	VP4208-051EP0300	94	VP4248-051EP0300	103
350	14"	290	VP4208-051EP0350	114	VP4248-051EP0350	153
400	16"	310	VP4208-051EP0400	162	VP4248-051EP0400	178
450	18"	330	VP4208-051EP0450	189	VP4248-051EP0450	245
500	20"	350	VP4208-051EP0500	238	VP4248-051EP0500	316
600	24"	390	VP4208-051EP0600	344	VP4248-051EP0600	442
700	28"	430	VP4208-051EP0700	470	VP4248-051EP0700	613
800	32"	470	VP4208-051EP0800	662	VP4248-051EP0800	808
900	36"	510	VP4208-051EP0900	835	VP4248-051EP0900	1130
1000	40"	550	VP4208-051EP1000	1172	VP4248-051EP1000	1404
1100	44"	590	VP4208-051EP1100	1852	VP4248-051EP1100	2229
1200	48"	630	VP4208-051EP1200	1714	VP4248-051EP1200	2308
1400	56"	710	VP4208-051EP1400	2570	VP4248-051EP1400	3735
1500	60"	750	VP4208-051EP1500	3140	VP4248-051EP1500	3389
1600	64"	790	VP4208-051EP1600	3441	VP4248-051EP1600	4459

EN OPTION | OPTION

**Adaptateur carré conique sur axe réducteur seul p.75
Conical square coupling for stem p.75**





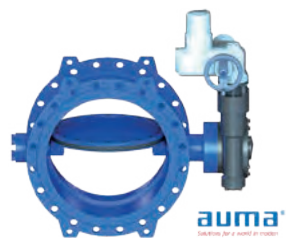
Arbre sec | Dry shaft

VANNE BUTTE

VP4208 | VP4248-U04EP

TECWAT AUMA

Vanne à papillon à double excentration type TECWAT arbre sec avec motorisation AUMA 400V/50Hz on/off
Double eccentric type butterfly valve TECWAT dry shaft with AUMA electric actuator 3-phase 400V/50Hz



Moteur équipé de :
- 2 contacts fin de course
- 1 résistance de chauffe
- 2 limiteurs de couple
Commande manuelle de secours
Indicateur visuel de position
Protection IP68



Actuator equipped with:
- 2 limit switches
- 1 heat resistor
- 2 torque limiters included
Emergency handwheel
Visual position indicator
IP68 protection



Arbre sec
Dry shaft



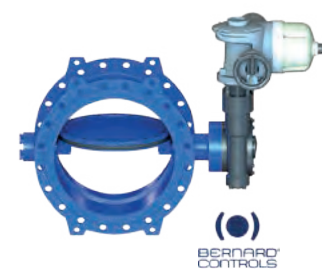
Kit de motorisation seul page 72
Motorization kit on page 72

DN			PN10		PN16	
mm	inch	L (mm)	Ref.	Kg	Ref.	Kg
100	4"	190	voir / see PN16		VP4248-U04EP0100	42
125	5"	200			VP4248-U04EP0125	45
150	6"	210			VP4248-U04EP0150	50
200	8"	230	VP4208-U04EP0200	69	VP4248-U04EP0200	72
250	10"	250	VP4208-U04EP0250	82	VP4248-U04EP0250	110
300	12"	270	VP4208-U04EP0300	114	VP4248-U04EP0300	146
350	14"	290	VP4208-U04EP0350	157	VP4248-U04EP0350	196
400	16"	310	VP4208-U04EP0400	205	VP4248-U04EP0400	221
450	18"	330	VP4208-U04EP0450	232	VP4248-U04EP0450	265
500	20"	350	VP4208-U04EP0500	258	VP4248-U04EP0500	359
600	24"	390	VP4208-U04EP0600	387	VP4248-U04EP0600	485
700	28"	430	VP4208-U04EP0700	513	VP4248-U04EP0700	656
800	32"	470	VP4208-U04EP0800	705	VP4248-U04EP0800	856
900	36"	510	VP4208-U04EP0900	878	VP4248-U04EP0900	1173
1000	40"	550	VP4208-U04EP1000	1255	VP4248-U04EP1000	1447
1100	44"	590	VP4208-U04EP1100	1852	VP4248-U04EP1100	2272
1200	48"	630	VP4208-U04EP1200	1797	VP4248-U04EP1200	2351
1400	56"	710	VP4208-U04EP1400	2613	VP4248-U04EP1400	3778
1500	60"	750	VP4208-U04EP1500	3183	VP4248-U04EP1500	3432
1600	64"	790	VP4208-U04EP1600	3484	VP4248-U04EP1600	4507

VP4208 | VP4248-B04EP

TECWAT BERNARD CONTROLS

Vanne à papillon à double excentration type TECWAT arbre sec avec motorisation BERNARD CONTROLS 400V/50Hz on/off
Double eccentric type butterfly valve TECWAT dry shaft with BERNARD CONTROLS electric actuator 3-phase 400V/50Hz



Moteur équipé de :
- 2 contacts fin de course
- 1 résistance de chauffe
- 2 limiteurs de couple inclus
Commande manuelle de secours
Indicateur visuel de position
Protection IP68



Actuator equipped with:
- 2 limit switches
- 1 heat resistor
- 2 torque limiters switches included
Emergency handwheel
Visual position indicator
IP68 protection



Arbre sec
Dry shaft



Kit de motorisation seul page 73
Motorization kit on page 73

DN			PN10		PN16	
mm	inch	L (mm)	Ref.	Kg	Ref.	Kg
100	4"	190	voir / see PN16		VP4248-B04EP0100	48
125	5"	200			VP4248-B04EP0125	50
150	6"	210			VP4248-B04EP0150	56
200	8"	230	VP4208-B04EP0200	75	VP4248-B04EP0200	77
250	10"	250	VP4208-B04EP0250	110	VP4248-B04EP0250	138
300	12"	270	VP4208-B04EP0300	142	VP4248-B04EP0300	151
350	14"	290	VP4208-B04EP0350	162	VP4248-B04EP0350	201
400	16"	310	VP4208-B04EP0400	210	VP4248-B04EP0400	226
450	18"	330	VP4208-B04EP0450	237	VP4248-B04EP0450	293
500	20"	350	VP4208-B04EP0500	263	VP4248-B04EP0500	364
600	24"	390	VP4208-B04EP0600	392	VP4248-B04EP0600	490
700	28"	430	VP4208-B04EP0700	518	VP4248-B04EP0700	661
800	32"	470	VP4208-B04EP0800	710	VP4248-B04EP0800	872
900	36"	510	VP4208-B04EP0900	883	VP4248-B04EP0900	1178
1000	40"	550	VP4208-B04EP1000	1220	VP4248-B04EP1000	1452
1100	44"	590	VP4208-B04EP1100	1900	VP4248-B04EP1100	2277
1200	48"	630	VP4208-B04EP1200	1762	VP4248-B04EP1200	2356
1400	56"	710	VP4208-B04EP1400	2618	VP4248-B04EP1400	3783
1500	60"	750	VP4208-B04EP1500	-	VP4248-B04EP1500	-
1600	64"	790	VP4208-B04EP1600	3489	VP4248-B04EP1600	4507





MOTORISATION POUR VANNES À PAPILLON TECWAT ACTUATOR FOR TECWAT BUTTERFLY VALVES



Arbre humide
Wet shaft



Arbre sec
Dry shaft

ASA
150

auma[®]
Solutions for a world in motion



Caractéristiques moteur AUMA SA07.2 à SA16.2

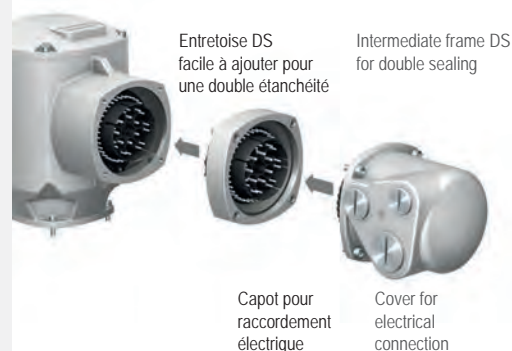
- Plage de couple entre 10Nm et 1 000 Nm.
- Vitesse de sortie entre 4 et 180 tr/min.
- Enregistrement de la course et du couple.
- Protection anti-corrosion de grande qualité (revêtement poudre 2 couches 140microns, selon EN ISO 12944-2, ou DIN 55633).
- Classe d'isolation standard F : tropicalisé.
- Montage dans toutes les positions.
- Indice de protection élevé IP68 (préconisation pour une protection maximale : presse-étoupe métallique + câble IP68).
- C5M (certificat ISO 12944-2) (option sur demande).
- ATEX sur demande.
- Bornier avec connecteur débrochable.
- Indicateur visuel de position.

Main features: AUMA actuator SA07.2 to SA16.2

- Torque range from 10Nm to 1000Nm.
- Output speeds from 4 to 180 rpm.
- High quality corrosion protection: two-layer powder coating 140micron, according to EN ISO 12944-2, or DIN 55633.
- Insulation protection class type F: tropicalized.
- Mounting in all positions.
- High enclosure protection: IP68.
- C5M (ISO 12944-2 certification) (option on request).
- ATEX on request.
- Terminal block with removable connector.
- Visual position indicator.

EN OPTION | OPTION

Entretoise universelle (moteur SA/SQ) Universal (SA / SQ actuator)



Cette entretoise permet de maintenir l'étanchéité du servomoteur même en cas de défaillance du presse étoupe, du câble éventuellement endommagé ou d'un risque d'immersion.



Sécurité renforcée Reinforced security

This intermediate frame preserves the enclosure protection even if the electrical connection is removed and prevents ingress of dirt or humidity into the housing.

Ref. : SA/SQ-ENTRETOISEDS

U04

AUMA

KIT motorisation Auma 3 phases 400V/50Hz On/Off pour TECWAT

Auma KIT electric actuator 3-phase 400V/50Hz On/Off for TECWAT



auma[®]
Solutions for a world in motion



Moteur équipé de :

- 2 contacts fin de course
 - 1 résistance de chauffe
 - 2 limiteurs de couple
- Commande manuelle de secours
Indicateur visuel de position
Protection IP68

Actuator equipped with:

- 2 limit switches
 - 1 heat resistor
 - 2 torque limiters included
- Emergency handwheel
Visual position indicator
IP68 protection

*sur demande / on request

DN			PN10		PN16		PN25 / ASA150		PN40	
mm	inch	L (mm)	Ref.	Type	Ref.	Type	Ref.	Type	Ref.	Type
80	3"	-			300190110	SA07.2	-	-	-	-
100	4"	-	-	-	300200179	SA07.2	-	-	-	-
125	5"	-			300190109	SA07.2	300190114	SA07.6	-	-
150	6"	-								
200	8"	230	300190107	SA07.2	300190113	SA07.6	300190113	SA07.6	300190122	SA10.2
250	10"	250	300190112	SA07.6	300190118	SA07.6	300190120	SA10.2	300190117	SA07.6
300	12"	270	300190118	SA10.2	300190120	SA10.2	300190122	SA10.2	300190125	SA10.2
350	14"	290	300190120	SA10.2	300190115	SA07.6	300190116	SA07.6	300190124	SA10.2
400	16"	310	300190120	SA10.2	300190123	SA10.2	300190124	SA10.2	300190124	SA10.2
450	18"	330	300190115	SA07.6	300190125	SA10.2	300190125	SA10.2	300190125	SA10.2
500	20"	350	300190123	SA10.2	300190124	SA10.2	300190124	SA10.2	300190126	SA10.2
600	24"	390	300190123	SA10.2	300190124	SA10.2	300190126	SA10.2	300190121	SA10.2
700	28"	430			300190133	SA14.2	300190125	SA10.2		
800	32"	470			300190125	SA10.2			300190119	SA10.2
900	36"	510			300190119	SA10.2	300190119	SA10.2	300190121	SA10.2
1000	40"	550	300190125	SA10.2	300190126	SA10.2	300190121	SA10.2		
1200	48"	630	300190126	SA10.2	300190119	SA10.2	300190128	SA14.2	300190127	SA14.2
1400	56"	710			300190128	SA14.2	300190130	SA14.2	300190132	SA14.6
1600	64"	790	300190119	SA10.2	300190130	SA14.2	300190132	SA14.6	300190134	SA14.6
1800	72"	870	300190127	SA14.2	300190130	SA14.2	300190132	SA14.6	300190135	SA16.2
2000	80"	950								





Main features : BERNARD actuator AT3 to AT50

- › Torque range from 12 Nm to 500 Nm.
- › Output speeds from 10 to 1620r turns.
- › Mechanical position indicator.
- › Mounting in all positions.

Caractéristiques moteur BERNARD AT3 à AT50

- › Plage de couple entre 12 Nm et 500 Nm.
- › Vitesse de sortie entre 10 et 1620 tr.
- › Indicateur visuel de position mécanique.
- › Enregistrement de la course et du couple.
- › Montage dans toutes les positions.
- › Indice de protection élevé IP68.
- › Environnement corrosif: testé en C4 selon ISO 12944.
- › Large passage de tige avec un capot facile à installer et étanche.
- › Application mobile pour smartphone (options sur demande auprès du constructeur).

- › High enclosure protection: IP68.
- › Corrosive environment : tested in C4 environment according to ISO 12944.
- › Application for mobile device (options on request from the manufacturer).

B04

BERNARD CONTROLS

Motorisation Bernard Controls 3 phases 400V/50Hz On/Off pour TECWAT
 Bernard Controls electric actuator 3-phase 400V/50Hz On/Off for TECWAT



Moteur équipé de :
 - 4 contacts fin de course
 - 1 résistance de chauffe
 - 2 limiteurs de couple
 Commande manuelle de secours
 Indicateur visuel de position
 Protection IP68

Actuator equipped with:
 - 4 limit switches
 - 1 heat resistor
 - 2 torque limiters switches
 Emergency handwheel
 Visual position indicator
 IP68 protection

*sur demande / on request

DN		L (mm)	PN10		PN16		PN25 / ASA150		PN40	
mm	inch		Ref.	Type	Ref.	Type	Ref.	Type	Ref.	Type
80	3"	-	-	-	300200180	AT3	-	-	-	-
100	4"	-	-	-	300190165	AT3	-	-	-	-
125	5"	-	-	-	-	-	-	-	-	-
150	6"	210	-	-	300190164	AT3	300190168	AT6L	300190171	AT6
200	8"	230	300190162	AT3	300190167	AT6L	300190176	AT14	300190176	AT14
250	10"	250	300190170	AT6	300190170	AT6	300190177	AT14	300190177	AT14
300	12"	270			300190176	AT14	300190173	AT6	300190173	AT6
350	14"	290			300190176	AT14	300190180	AT14	300190181	AT14
400	16"	310	300190176	AT14	300190172	AT6			300190182	AT14
450	18"	330			300190179	AT14	300190181	AT14	300190181	AT14
500	20"	350	300190169	AT6L	300190178	AT14	300190180	AT14	300190174	AT14
600	24"	390	300190178	AT14	300190179	AT14				
700	28"	430			300190179	AT14	300190182	AT14		
800	32"	470	300190179	AT14	300190185	AT25			300190175	AT14
900	36"	510	300190178	AT14	300190182	AT14	300190174	AT14		
1000	40"	550	300190181	AT14	300190174	AT14				
1200	48"	630					300190175	AT14	300190183	AT25
1400	56"	710	300190182	AT14	300190175	AT14	300190184	AT25	300190188	AT50
1600	64"	790					300190187	AT25	300190190	AT50
1800	72"	870	300190174	AT14	300190187	AT25	300190190	AT50	300190188	AT50
2000	80"	950	300190187	AT25	300190190	AT50	300190188	AT50	300190188	AT50

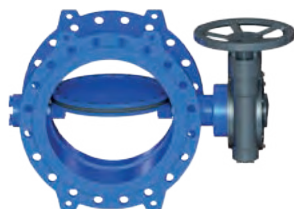



VANNE À PAPILLON DOUBLE EXCENTRATION - ASA150
DOUBLE ECCENTRIC BUTTERFLY VALVE - ASA150


**ASA
150**

 Arbre humide
Wet shaft

VP4238-08EP

 Vanne à papillon à double excentration type tecwat ASA 150 à réducteur
 Double eccentric type butterfly valve TECWAT ASA150 with gearbox


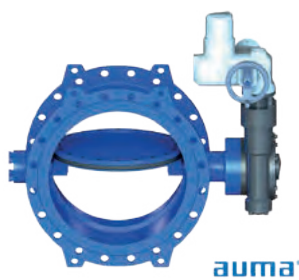
Corps et papillon : Fonte ductile revêtu époxy
 Siège : Acier inoxydable
 Joint de papillon : EPDM
 Raccordement : À brides ASA150
 Pression de service max : 20 bar
 Manœuvre par réducteur manuel avec indicateur d'ouverture.
 Platine ISO 5210 pour adaptation de moteur électrique.

Body and Disc: Ductile iron + epoxy coated
 Seat: Stainless steel
 Sealing: EPDM
 Connection: Flanged ASA150
 Maximum working pressure: 20 bar
 Gearbox with handwheel and visual indicator. ISO 5210 upper flange for electric actuator.

EN OPTION / OPTION
Réducteur motorisable fermeture sens anti-horaire, voir page 75
Motorized gearbox counterclockwise closing, see page 75

DN	L (mm)		Ref.	Kg
	mm	inch		
150	6"	210	VP4238-08EP0150	56
200	8"	230	VP4238-08EP0200	80
250	10"	250	VP4238-08EP0250	104
300	12"	270	VP4238-08EP0300	180
350	14"	290	VP4238-08EP0350	208
400	16"	310	VP4238-08EP0400	294
450	18"	330	VP4238-08EP0450	361
500	20"	350	VP4238-08EP0500	416
600	24"	390	VP4238-08EP0600	618
700	28"	430	VP4238-08EP0700	938
800	32"	470	VP4238-08EP0800	1192
900	36"	510	VP4238-08EP0900	2111
1000	40"	550	VP4238-08EP1000	2320
1200	48"	630	VP4238-08EP1200	3046
1400	56"	710	VP4238-08EP1400	4808

VP4238-U04EP
TECWAT AUMA

 Vanne à papillon à double excentration type tecwat ASA 150 avec motorisation AUMA
 Double eccentric type butterfly valve TECWAT ASA150 with AUMA electric actuator


Corps et papillon : Fonte ductile revêtu époxy
 Siège : Acier inoxydable
 Joint de papillon : EPDM
 Raccordement : À brides ASA150

Equipé d'un réducteur avec indicateur d'ouverture et d'un moteur électrique AUMA 400V TRI 50HZ - IP68 - Fonction TOR - 2 contacts fin de course - 2 limiteurs de couple - Résistance chauffante - Commande manuelle de secours.

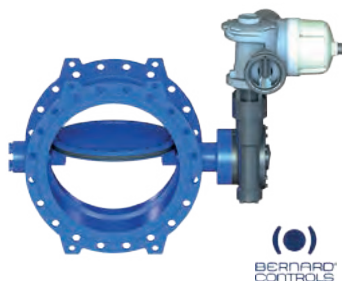
Body and Disc: Ductile iron + epoxy coated
 Seat: Stainless steel
 Sealing: EPDM
 Connection: Flanged ASA150

Gearbox with visual opening indicator operating by electric actuator AUMA 400V 3phase 50HZ ON/OFF function - Watertight IP68 - 2 limit switches - 2 torque limiters - Heat resistor - Emergency handwheel.

Kit de motorisation seul page 72
Motorization kit on page 72

DN	L (mm)		Ref.	Kg
	mm	inch		
150	6"	210	VP4238-U04EP0150	76
200	8"	230	VP4238-U04EP0200	100
250	10"	250	VP4238-U04EP0250	147
300	12"	270	VP4238-U04EP0300	223
400	16"	310	VP4238-U04EP0400	337
450	18"	330	VP4238-U04EP0450	361
500	20"	350	VP4238-U04EP0500	416
600	24"	390	VP4238-U04EP0600	661
700	28"	430	VP4238-U04EP0700	981
800	32"	470	VP4238-U04EP0800	1235
900	36"	510	VP4238-U04EP0900	2154
1000	40"	550	VP4238-U04EP1000	2363
1200	48"	630	VP4238-U04EP1200	3089
1400	56"	710	VP4238-U04EP1400	4856

VP4238-B04EP
TECWAT BERNARD CONTROLS

 Vanne à papillon à double excentration type tecwat ASA 150 avec motorisation BERNARD CONTROLS
 Double eccentric type butterfly valve TECWAT ASA150 with BERNARD CONTROLS electric actuator


Corps et papillon : Fonte ductile revêtu époxy
 Siège : Acier inoxydable
 Joint de papillon : EPDM
 Raccordement : À brides ASA150

Equipé d'un réducteur avec indicateur d'ouverture et d'un moteur électrique BERNARD 400V TRI 50HZ - IP68 - Fonction TOR - 4 contacts fin de course - 2 limiteurs de couple - Résistance chauffante - Commande manuelle de secours.

Body and Disc: Ductile iron + epoxy coated
 Seat: Stainless steel
 Sealing: EPDM
 Connection: Flanged ASA150

Gearbox with visual opening indicator operating by electric actuator BERNARD 400V 3phase 50HZ ON/OFF function - Watertight IP68 - 4 limit switches - 2 torque limiters - Heat resistor - Emergency handwheel.

Kit de motorisation seul page 73
Motorization kit on page 73

DN	L (mm)		Ref.	Kg
	mm	inch		
150	6"	210	VP4238-B04EP0150	81
200	8"	230	VP4238-B04EP0200	128
250	10"	250	VP4238-B04EP0250	152
300	12"	270	VP4238-B04EP0300	228
350	14"	290	VP4238-B04EP0350	256
400	16"	310	VP4238-B04EP0400	342
450	18"	330	VP4238-B04EP0450	409
500	20"	350	VP4238-B04EP0500	464
600	24"	390	VP4238-B04EP0600	666
700	28"	430	VP4238-B04EP0700	986
800	32"	470	VP4238-B04EP0800	1240
900	36"	510	VP4238-B04EP0900	1540
1000	40"	550	VP4238-B04EP1000	2159
1200	48"	630	VP4238-B04EP1200	3094
1400	56"	710	VP4238-B04EP1400	4872





ACCESSOIRES POUR TECWAT
ACCESSORIES FOR TECWAT



Arbre humide
Wet shaft



Arbre sec
Dry shaft



ASA
150

VPWREDUCTFSAH

Réducteur motorisable fermeture sens anti-horaire pour TECWAT seul
Motorized gearbox counterclockwise closing for TECWAT type valve



Embase suivant norme ISO5211
Indice de protection IP67

Prix à rajouter à la vanne

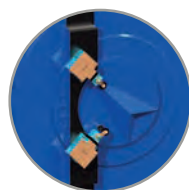
ISO mounting flange according to ISO5211
IP67 protection

Price to be added to the valve

DN	PN10	PN16	PN25 / ASA150	PN40
	Ref	Ref	Ref	Ref
100	-	VPWREDUCTFSAH0	VPWREDUCTFSAH1	VPWREDUCTFSAH1
150	-	VPWREDUCTFSAH0	VPWREDUCTFSAH1	VPWREDUCTFSAH2
200	VPWREDUCTFSAH1	VPWREDUCTFSAH1	VPWREDUCTFSAH2	VPWREDUCTFSAH2
250	VPWREDUCTFSAH1	VPWREDUCTFSAH2	VPWREDUCTFSAH2	VPWREDUCTFSAH3
300	VPWREDUCTFSAH2	VPWREDUCTFSAH2	VPWREDUCTFSAH3	VPWREDUCTFSAH34
350	VPWREDUCTFSAH2	VPWREDUCTFSAH3	VPWREDUCTFSAH34	VPWREDUCTFSAH44
400	VPWREDUCTFSAH3	VPWREDUCTFSAH3	VPWREDUCTFSAH44	VPWREDUCTFSAH44
450	VPWREDUCTFSAH3	VPWREDUCTFSAH34	VPWREDUCTFSAH44	VPWREDUCTFSAH55
500	VPWREDUCTFSAH34	VPWREDUCTFSAH44	VPWREDUCTFSAH55	VPWREDUCTFSAH55
600	VPWREDUCTFSAH44	VPWREDUCTFSAH44	VPWREDUCTFSAH55	VPWREDUCTFSAH66
700	VPWREDUCTFSAH44	VPWREDUCTFSAH55	VPWREDUCTFSAH66	VPWREDUCTFSAH77
800	VPWREDUCTFSAH55	VPWREDUCTFSAH55	VPWREDUCTFSAH66	VPWREDUCTFSAH77
900	VPWREDUCTFSAH55	VPWREDUCTFSAH66	VPWREDUCTFSAH67	VPWREDUCTFSAH77
1000	VPWREDUCTFSAH66	VPWREDUCTFSAH67	VPWREDUCTFSAH77	VPWREDUCTFSAH88
1100	VPWREDUCTFSAH66	VPWREDUCTFSAH77	-	VPWREDUCTFSAH88
1200	VPWREDUCTFSAH67	VPWREDUCTFSAH77	VPWREDUCTFSAH88	VPWREDUCTFSAH99
1400	VPWREDUCTFSAH77	VPWREDUCTFSAH88	VPWREDUCTFSAH88	VPWREDUCTFSAH99
1500	VPWREDUCTFSAH77	VPWREDUCTFSAH88	VPWREDUCTFSAH88	VPWREDUCTFSAH99
1600	VPWREDUCTFSAH77	VPWREDUCTFSAH88	VPWREDUCTFSAH99	-
1800-2000	VPWREDUCTFSAH88	VPWREDUCTFSAH99	-	-
2200-2400	VPWREDUCTFSAH99	-	-	-

KIT XCKM TELEMECANIQUE SCHNEIDER

Kit contact fin de course mécanique sur réducteur pour TECWAT
Mechanical limit switch kit for Tecwat gearbox for TECWAT type valve



Composé de :
- Plaque support inox 304
XCKM pour réducteur
- Contact fin de course
électromécanique

Comprised of:
- Support plate Stainless steel
304 XCKM for gearbox
- Tappet roller electro-
mechanical limit switch

Ref	PN10		PN16		PN25 / ASA150		PN40	
	mm	inch	mm	inch	mm	inch	mm	inch
300200096	-	-	DN 100 - 150	4"-6"	-	-	-	-
300200098	DN 200 - 250	8"-10"	DN 200	8"	DN 100 - 150	4"-6"	DN 100	4"
300200099	DN 300 - 350	12"-14"	DN 250 - 300	10"-12"	DN 200 - 250	8"-10"	DN 150 - 200	6"-8"
300200100	DN 400 - 500	16"-20"	DN 350 - 450	14"-18"	DN 300 - 350	12"-14"	DN 250 - 300	10"-12"
300200101	DN 600 - 700	24"-28"	DN 500 - 600	20"-24"	DN 400 - 450	16"-18"	DN 350 - 400	14"-16"
300200102	DN 800 - 900	32"-36"	DN 700 - 800	28"-32"	DN 500 - 600	20"-24"	DN 450 - 500	18"-20"
300200103	DN 1000 - 1200	40"-48"	DN 900 - 1000	36"-40"	DN 700 - 900	28"-36"	DN 600	24"
300200104	DN1400 - 1600	56"-64"	DN 1100 - 1200	44"-48"	DN 1000	40"	DN 700 - 900	28"-36"
300200105	DN1800 - 2000	72"-80"	DN 1400 - 1600	56"-64"	DN 1200 - 1500	48"-60"	DN 1000 - 1100	40"-44"
300200106	DN2200 - 2400	88"-96"	DN 1800 - 2000	72"-80"	DN 1600	64"	DN 1200 - 1500	48"-60"

*option version inductif possible, nous contacter / inductive option available on request

CARRE-B3F10 I CARRE-B3F14

Adaptateur carré conique sur axe pour TECWAT
Conical square coupling for stem for TECWAT type



Se positionne en sortie de réducteur pour une manœuvre par clés de fontainier (page 143).
Livré avec une vis de pression.
Can be positioned at the output of the gearbox for operation with fountain key (page 143).
Delivered with thrust screw.



Permet les montages à rallonge
Used for extension model

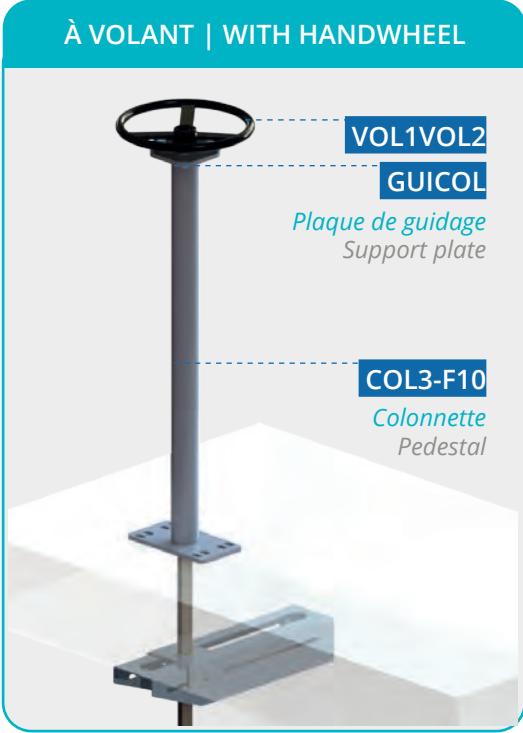
DN	PN	Ref.
100-1000	10-16-25-40	CARRE-B3F10
1200-1500	10-16-25	CARRE-B3F10
1200-1500	40	CARRE-B3F14
1600-1800	10-16	CARRE-B3F10
1600	25	CARRE-B3F14
2000-2200	10-25	CARRE-B3F14



KIT COLONNETTE DROITE POUR TECWAT

PEDESTAL FLOOR MOUNTING KIT FOR TECWAT BUTTERFLY VALVES

À VOLANT | WITH HANDWHEEL



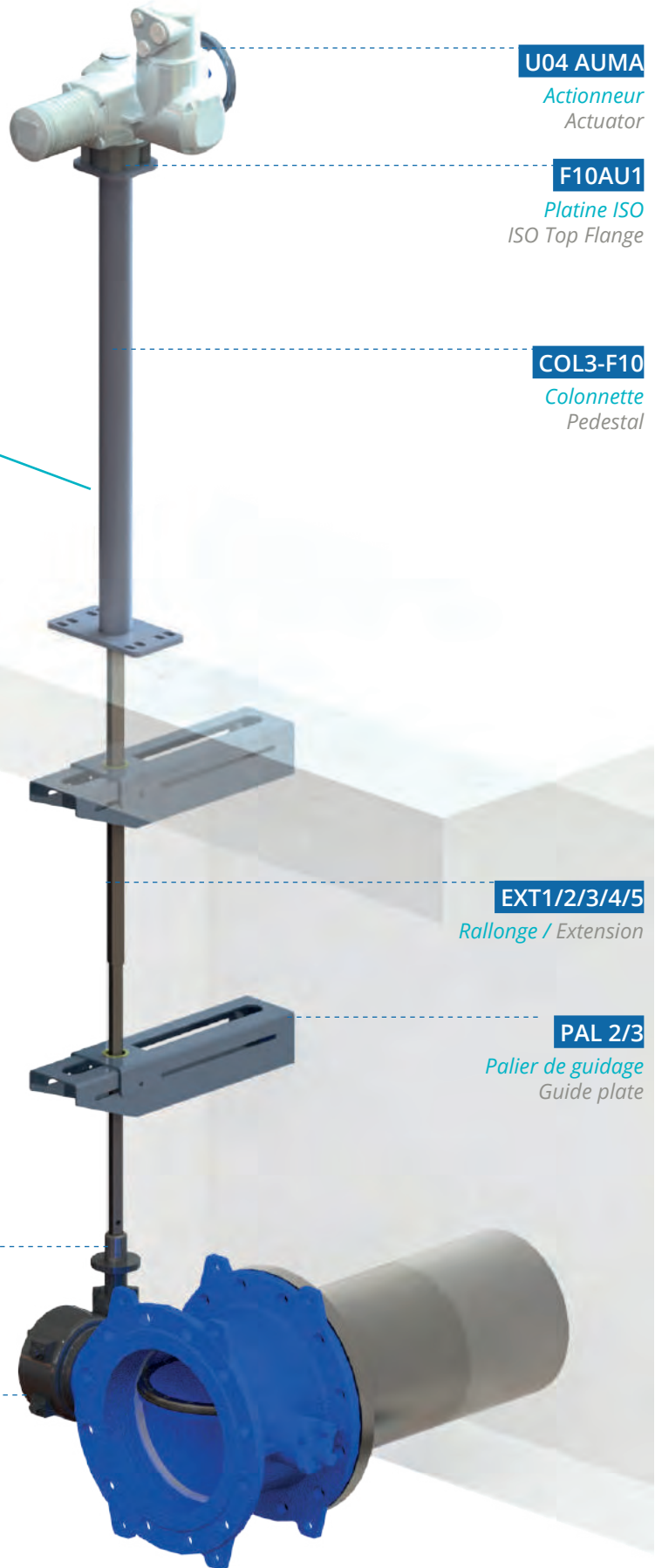
VOL1VOL2

GUCOL

*Plaque de guidage
Support plate*

COL3-F10

*Colonne
Pedestal*



U04 AUMA

*Actionneur
Actuator*

F10AU1

*Platine ISO
ISO Top Flange*

COL3-F10

*Colonne
Pedestal*

EXT1/2/3/4/5

Rallonge / Extension

PAL 2/3

*Palier de guidage
Guide plate*

VPDOUILLE0136

*Entraîneur
Coupling adapter*

VANNE PAPILLON TECWAT

Tecwat butterfly valve

*Représentation à titre indicatif (contre-bridés et tirants non représentés, ils sont obligatoires dans toutes installations).
Representation for reference only (counter flanges and tie rods not shown are required in all installations).*



KIT COLONNETTE MURALE POUR TECWAT

PEDESTAL WALL MOUNTING KIT FOR TECWAT BUTTERFLY VALVES

VANNE
BUTTE

À VOLANT | WITH HANDWHEEL



VOL1/VOL2

COL1

Colonnelle
Pedestal



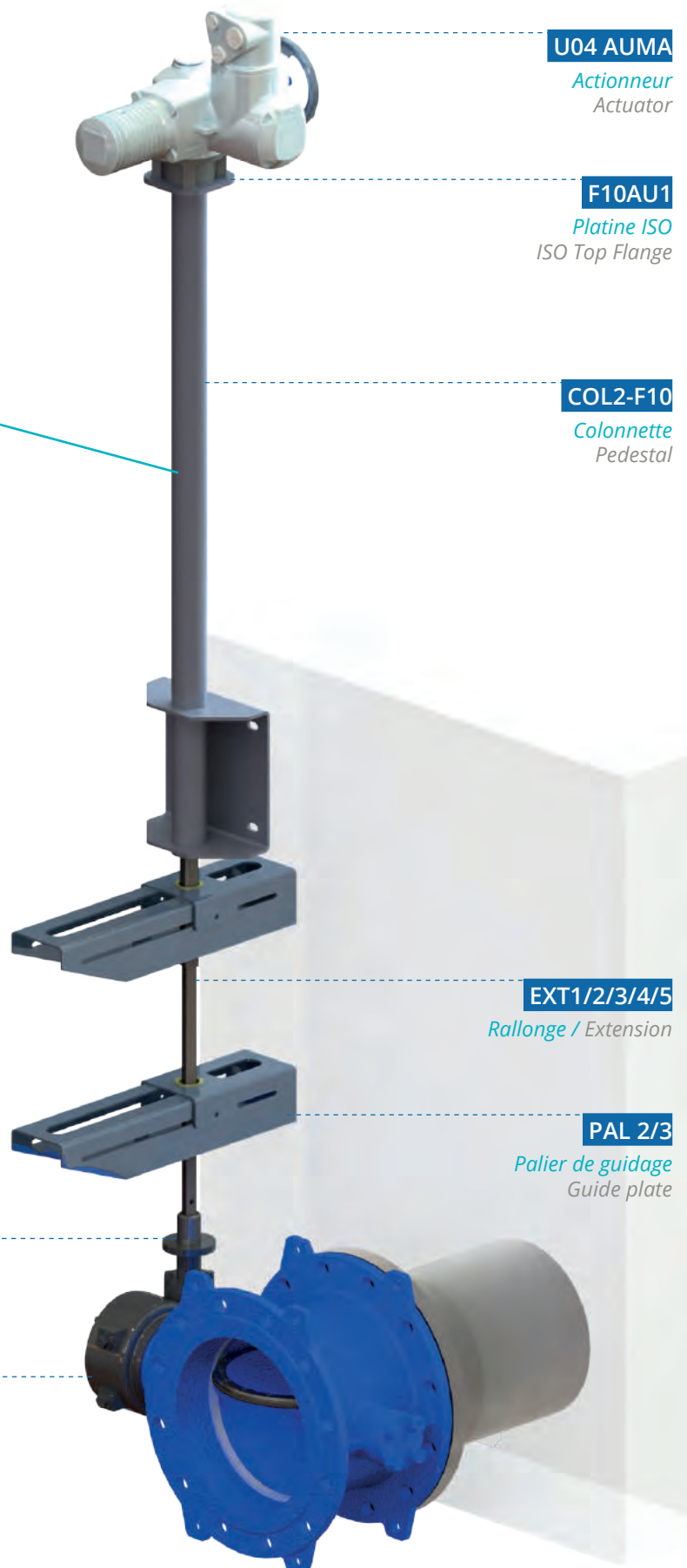
La distance entre le mur et les colonnettes murales n'est pas réglable. Prévoir un déport avec le mur ou un système pour plaquer la colonnette à la bonne distance.
The distance between the wall and the wall column is not adjustable, provide an offset with the wall or a system to place the column at the right distance.

VPDOUILLE0136

Entraineur
Coupling adapter

VANNE PAPILLON TECWAT

Tecwat butterfly valve



U04 AUMA

Actionneur
Actuator

F10AU1

Platine ISO
ISO Top Flange

COL2-F10

Colonnelle
Pedestal

EXT1/2/3/4/5

Rallonge / Extension

PAL 2/3

Palier de guidage
Guide plate

Représentation à titre indicatif (contre-bridés et tirants non représentés, ils sont obligatoires dans toutes installations).
Representation for reference only (counter flanges and tie rods not shown are required in all installations).



TRINGLERIES POUR MONTAGE SUR COLONNETTE - TECWAT
LINKAGE FOR PEDESTAL MOUNTED - TECWAT

ENTRAINEUR | COUPLING ADAPTER

Entraîneur Femelle pour tige de rallonge (EXT)
Female coupling adapter for EXTENSION



Matière : Inox 304

Material: Stainless Steel 304

Ref.	DN
VPDOUILLE0136	350-600

RALLONGE | EXTENSION

Rallonge télescopique
Telescopic spindle extension



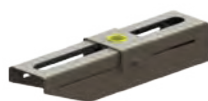
Matière : Inox 316L

Material: Stainless Steel 316L

Dimension (mm)	Ref.
800-1100	EXT1
1100-1750	EXT2
1750-3000	EXT3
3000-5500	EXT4
4000-8000	EXT5

PALIER DE GUIDAGE | GUIDE PLATE

Palier de guidage fixe pour rallonge télescopique EXT
Guide plate bearing for telescopic extension EXT



Matière : Inox 316L

Material: Stainless steel 316L

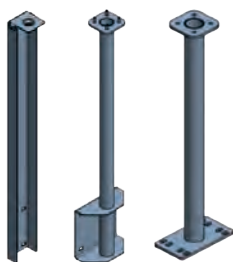
Dimension (mm)	Ref.
70-200	PAL2
70-500	PAL3



Mettre obligatoirement un palier tous les deux mètres + un autre avant le passage dans la colonnette.
Place one guide plate every two meters of the extension + one guide plate just before the pedestal floor.

COLONNETTES | PEDESTAL

Colonnette pour vannes à papillon
Floor stand for butterfly valves



1 2 3



COL1 : pour commande par volant et fixation murale
COL2-F10 : pour commande motorisée et fixation murale
COL3-F10 : pour fixation au sol

Matière : Inox 304
Hauteur fixe : 900mm

Pedestal wall mounted for handwheel
Pedestal wall mounted for electric actuator
Pedestal floor mounted

Material: Stainless Steel 304
Height: 900mm

Ref.
COL1
COL2-F10
COL3-F10

PLAQUE DE GUIDAGE | SUPPORT PLATE

Plaque de guidage pour colonette fixation sol et commande par volant
Support plate for pedestal floor mounted handwheel



Matière : POM

Material: POM

Ref.

GUICOL



**Permet de guider la rallonge
Used to guide the extension**



A utiliser obligatoirement en cas de commande par volant sur colonnette COL3-F10.
To use **only** with handwheel operation on pedestal COL3-F10.

VOLANT | HANDWHEEL

Volant
Handwheel



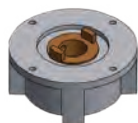
Matière : Acier revêtu Epoxy
VOL1 : Diamètre 300mm
VOL2 : Diamètre 500mm

Material: Epoxy-coated carbon steel
VOL1: Diameter 300mm
VOL2: Diameter 500mm

Ref.	DN	
	mm	inch
VOL1	50-300	2"-12"
VOL2	350-600	14"-24"

PLATINE ISO POUR MOTEUR | ISO TOP FLANGE FOR ACTUATOR

Platine F10 pour moteur Auma montage sur EXT
ISO Top Flange for Auma actuator on EXT



Matière : Fonte, écrou en bronze
Platine : ISO5210
Pour montage sur colonette

Material: Cast iron, bronze nut
Top mounted flange: ISO5210
For assembly on column

Ref.

F10AU1

U04 - MOTEUR TECWAT - COLONNETTE | AUMA ACTUATOR FOR PEDESTAL MOUNTED TECWAT

Motorisation Auma 3 phases 400V/50Hz On/Off
3-phase Auma actuator 400V/50Hz On/Off



Moteur équipé de :
- 2 contacts fin de course
- 1 résistance de chauffe
- 2 limiteurs de couple
Commande manuelle de secours
Indicateur visuel de position
Protection IP68

Actuator equipped with:
- 2 limit switches
- 1 heat resistor
- 2 torque limiters included
Emergency handwheel
Visual position indicator
IP68 protection

DN		PN10	PN16
		Ref.	Ref.
mm	inch		
100	4"	SA07.2-U04B1TOR22	SA07.2-U04B1TOR22
150	6"	SA07.2-U04B1TOR22	SA07.2-U04B1TOR22
200	8"	SA07.6-U04B1TOR32	SA07.6-U04B1TOR32
250	10"	SA07.6-U04B1TOR32	SA10.2-U04B1TOR45
300	12"	SA10.2-U04B1TOR45	SA10.2-U04B1TOR45
350	14"	SA10.2-U04B1TOR45	SA10.2-U04B1TOR45
400	16"	SA10.2-U04B1TOR45	SA10.2-U04B1TOR45
450	18"	SA10.2-U04B1TOR45	SA10.2-U04B1TOR63
500	20"	SA07.6-U04B1TOR63	SA10.2-U04B1TOR63
600	24"	SA10.2-U04B1TOR63	SA10.2-U04B1TOR63

*Pour tout DN supérieur, PN25/ASA150 et PN40 nous consulter / Larger DN: PN25/ASA150 and PN40 on request



VP SERIE 13

NEW

DOUBLE EXCENTRIQUE DOUBLE BRIDE
DOUBLE ECCENTRIC DOUBLE FLANGED
DN 80-2000 - PN10/16



Nouvelle gamme: double bride construction suivant EN593

- ✓ Montage facile et manipulations de maintenance optimisées.
- ✓ Faible couple de manœuvre, économie d'énergie.
- ✓ Axe de manœuvre acier Inoxydable 420.
- ✓ Longue durée de vie, fiabilité.
- ✓ Excellente performance de régulation.
- ✓ Ecartement suivant EN558 SERIE 13.
- ✓ Raccordement par brides suivant EN1092-2.
- ✓ Manœuvre par réducteur manuel motorisable à volant avec indicateur visuel de position IP66.

New range : double flanged design according to EN593

- ✓ Easy assembly and optimized maintenance handling.
- ✓ Low operating torque, energy saving.
- ✓ Control stem in Stainless steel 420.
- ✓ Long operating life, reliable.
- ✓ Excellent regulating performance.
- ✓ Face to face according EN558 SERIES 13.
- ✓ Ends flanged according EN1090-2.
- ✓ IP66 gearbox with handwheel, visual indicator and ISO top flange for electric actuator.

VP4208A-08 | VP4248A-08

Vanne papillon double excentrique double bride
Double flanged, double eccentric butterfly valve



Corps et papillon : Fonte ductile
GJS500-7 (GGG50)
Siège : Acier inoxydable 304
Joint de papillon : EPDM
Boulonnerie : Inox 304
Raccordement : À brides

Body and disc: Ductile iron
GJS500-7 (GGG50)
Seat: Stainless steel 304
Seal ring on disc: EPDM
Bolts and nuts: Stainless steel 304
Connection: Flanged

Manœuvre par réducteur manuel
motorisable à volant avec
indicateur visuel d'ouverture IP66

IP66 gearbox with handwheel,
visual indicator and ISO top flange
for electric actuator

DN			PN10		PN16	
mm	inch	L (mm)	Ref.	Kg	Ref.	Kg
80	3"	-	-	-	VP4248A-08EP0080	18
100	4"	190	-	-	VP4248A-08EP0100	30
150	6"	210	-	-	VP4248A-08EP0150	45
200	8"	230	VP4208A-08EP0200	65	VP4248A-08EP0200	80
250	10"	250	VP4208A-08EP0250	75	VP4248A-08EP0250	94
300	12"	270	VP4208A-08EP0300	84	VP4248A-08EP0300	105
350	14"	290	VP4208A-08EP0350	120	VP4248A-08EP0350	150
400	16"	310	VP4208A-08EP0400	170	VP4248A-08EP0400	196
450	18"	330	VP4208A-08EP0450	190	VP4248A-08EP0450	238
500	20"	350	VP4208A-08EP0500	291	VP4248A-08EP0500	335
600	24"	390	VP4208A-08EP0600	348	VP4248A-08EP0600	371
700	28"	430	VP4208A-08EP0700	523	VP4248A-08EP0700	645
800	32"	470	VP4208A-08EP0800	720	VP4248A-08EP0800	900
900	36"	510	VP4208A-08EP0900	850	VP4248A-08EP0900	1063
1000	40"	550	VP4208A-08EP1000	1109	VP4248A-08EP1000	1386
1200	48"	590	VP4208A-08EP1200	1561	VP4248A-08EP1200	1850
1400	56"	630	VP4208A-08EP1400	2350	VP4248A-08EP1400	2980
1600	64"	750	VP4208A-08EP1600	3600	VP4248A-08EP1600	4000
1800	72"	790	VP4208A-08EP1800	4230	VP4248A-08EP1800	4700
2000	80"	-	VP4208A-08EP2000	5490	VP4248A-08EP2000	6100



VANNE À PAPILLON DOUBLE EXCENTRIQUE DOUBLE BRIDE SÉRIE 13 - MOTORISÉE
DOUBLE ECCENTRIC DOUBLE FLANGED BUTTERFLY VALVE SERIE 13 - ACTUATED

SERIE 13

VP4208A-U04EP | VP4248A-U04EP

SERIE 13 AUMA

Vanne à papillon à double excentration SERIE 13 avec motorisation AUMA 400V/50Hz on/off
Double eccentric type butterfly valve SERIE 13 with AUMA electric actuator 3-phase 400V/50Hz



NEW



Moteur équipé de :
- 2 contacts fin de course
- 1 résistance de chauffe
- 2 limiteurs de couple
Commande manuelle de secours
Indicateur visuel de position
Protection IP68

Actuator equipped with:
- 2 limit switches
- 1 heat resistor
- 2 torque limiters
Emergency handwheel
Visual position indicator
IP68 protection

DN			PN10		PN16	
mm	inch	L (mm)	Ref.	Kg	Ref.	Kg
100	4"	190	voir / see PN16		VP4248A-U04EP0100	49
150	6"	210	voir / see PN16		VP4248A-U04EP0150	64
200	8"	230	VP4208A-U04EP0200	84	VP4248A-U04EP0200	105
250	10"	250	VP4208A-U04EP0250	95	VP4248A-U04EP0250	119
300	12"	270	VP4208A-U04EP0300	104	VP4248A-U04EP0300	130
350	14"	290	VP4208A-U04EP0350	195	VP4248A-U04EP0350	175
400	16"	310	VP4208A-U04EP0400	195	VP4248A-U04EP0400	221
450	18"	330	VP4208A-U04EP0450	215	VP4248A-U04EP0450	263
500	20"	350	VP4208A-U04EP0500	316	VP4248A-U04EP0500	366
600	24"	390	VP4208A-U04EP0600	379	VP4248A-U04EP0600	402
700	28"	430	VP4208A-U04EP0700	554	VP4248A-U04EP0700	693
800	32"	470	VP4208A-U04EP0800	768	VP4248A-U04EP0800	948
900	36"	510	VP4208A-U04EP0900	898	VP4248A-U04EP0900	1111
1000	40"	550	VP4208A-U04EP1000	1157	VP4248A-U04EP1000	1434
1200	48"	590	VP4208A-U04EP1200	1609	VP4248A-U04EP1200	1898
1400	56"	630	VP4208A-U04EP1400	2398	VP4248A-U04EP1400	3033
1600	64"	750	VP4208A-U04EP1600	3653	VP4248A-U04EP1600	4053
1800	72"	790	VP4208A-U04EP1800	4283	VP4248A-U04EP1800	4753
2000	80"	-	VP4208A-U04EP2000	5543	VP4248A-U04EP2000	6153

VP4208A-B04EP | VP4248A-B04EP

SERIE 13 BERNARD CONTROLS

Vanne à papillon à double excentration SERIE 13 avec motorisation BERNARD CONTROLS 400V/50Hz on/off
Double eccentric type butterfly valve SERIE 13 with BERNARD CONTROLS electric actuator 3-phase 400V/50Hz



NEW



Moteur équipé de :
- 4 contacts fin de course
- 1 résistance de chauffe
- 2 limiteurs de couple
Commande manuelle de secours
Indicateur visuel de position
Protection IP68

Actuator equipped with:
- 4 limit switches
- 1 heat resistor
- 2 torque limiters switches
Emergency handwheel
Visual position indicator
IP68 protection

DN			PN10		PN16	
mm	inch	L (mm)	Ref.	Kg	Ref.	Kg
100	4"	190	voir / see PN16		VP4248A-B04EP0100	55
150	6"	210	voir / see PN16		VP4248A-B04EP0150	70
200	8"	230	VP4208A-B04EP0200	90	VP4248A-B04EP0200	128
250	10"	250	VP4208A-B04EP0250	123	VP4248A-B04EP0250	142
300	12"	270	VP4208A-B04EP0300	132	VP4248A-B04EP0300	153
350	14"	290	VP4208A-B04EP0350	168	VP4248A-B04EP0350	198
400	16"	310	VP4208A-B04EP0400	218	VP4248A-B04EP0400	244
450	18"	330	VP4208A-B04EP0450	238	VP4248A-B04EP0450	302
500	20"	350	VP4208A-B04EP0500	339	VP4248A-B04EP0500	383
600	24"	390	VP4208A-B04EP0600	396	VP4248A-B04EP0600	419
700	28"	430	VP4208A-B04EP0700	571	VP4248A-B04EP0700	709
800	32"	470	VP4208A-B04EP0800	784	VP4248A-B04EP0800	964
900	36"	510	VP4208A-B04EP0900	914	VP4248A-B04EP0900	1127
1000	40"	550	VP4208A-B04EP1000	1173	VP4248A-B04EP1000	1450
1200	48"	590	VP4208A-B04EP1200	1625	VP4248A-B04EP1200	1914
1400	56"	630	VP4208A-B04EP1400	2414	VP4248A-B04EP1400	3046
1600	64"	750	VP4208A-B04EP1600	3666	VP4248A-B04EP1600	4066
1800	72"	790	VP4208A-B04EP1800	4294	VP4248A-B04EP1800	4766
2000	80"	-	VP4208A-B04EP2000	5556	VP4248A-B04EP2000	6166



TECFLON PTFE

SÉCURITÉ ANTI ÉJECTION DE L'AXE

par circlips
Blowout-proof stem by circlips

MANCHETTE PTFE ÂME FPM

Épaisseur PTFE de 2 à 2.5 mm suivant DN.
Âme FPM apportant élasticité (autre matière sur demande)
PTFE sleeve FPM insert
*PTFE thickness from 2 to 2.5 mm according to DN
FPM insert to ensure elasticity (other versions on request)*

PAPILLON INOX 316 REVÊTU PTFE

Épaisseur PTFE de 4 à 7.5mm d'épaisseur suivant DN, variante papillon inox non revêtu
PTFE-coated Stainless steel 136 disc
PTFE thickness from 4 to 7.5 mm according to DN, un-lined stainless steel disc option

DISPOSITIF ASSURANT UNE PARFAITE ÉTANCHÉITÉ ET PROTECTION DE L'AXE

Paliers en FRP+PTFE
Rondelles belleville
Device ensuring perfect sealing and protection of the shaft
*FRP+PTFE shaft sleeve
Belleville washers*

POIGNÉE TECOFI TRIPLE FONCTION

Secteur cranté 10 positions, cadennassable en fonte ductile EN-GJS-400-15 anti corrosion (boulonnerie inox A2) et régulation.

Triple use Tecofi handle

10-positions notched locking quadrant, regulation function, lockable in ductile iron EN-GJS-400-15 anti corrosion (stainless steel A2 bolts and nuts).

PLATINE ISO 5211

Assemblage direct avec tous types de motorisation
ISO 5211 mounting plate
Direct assembly with all actuators

RACCORDEMENT

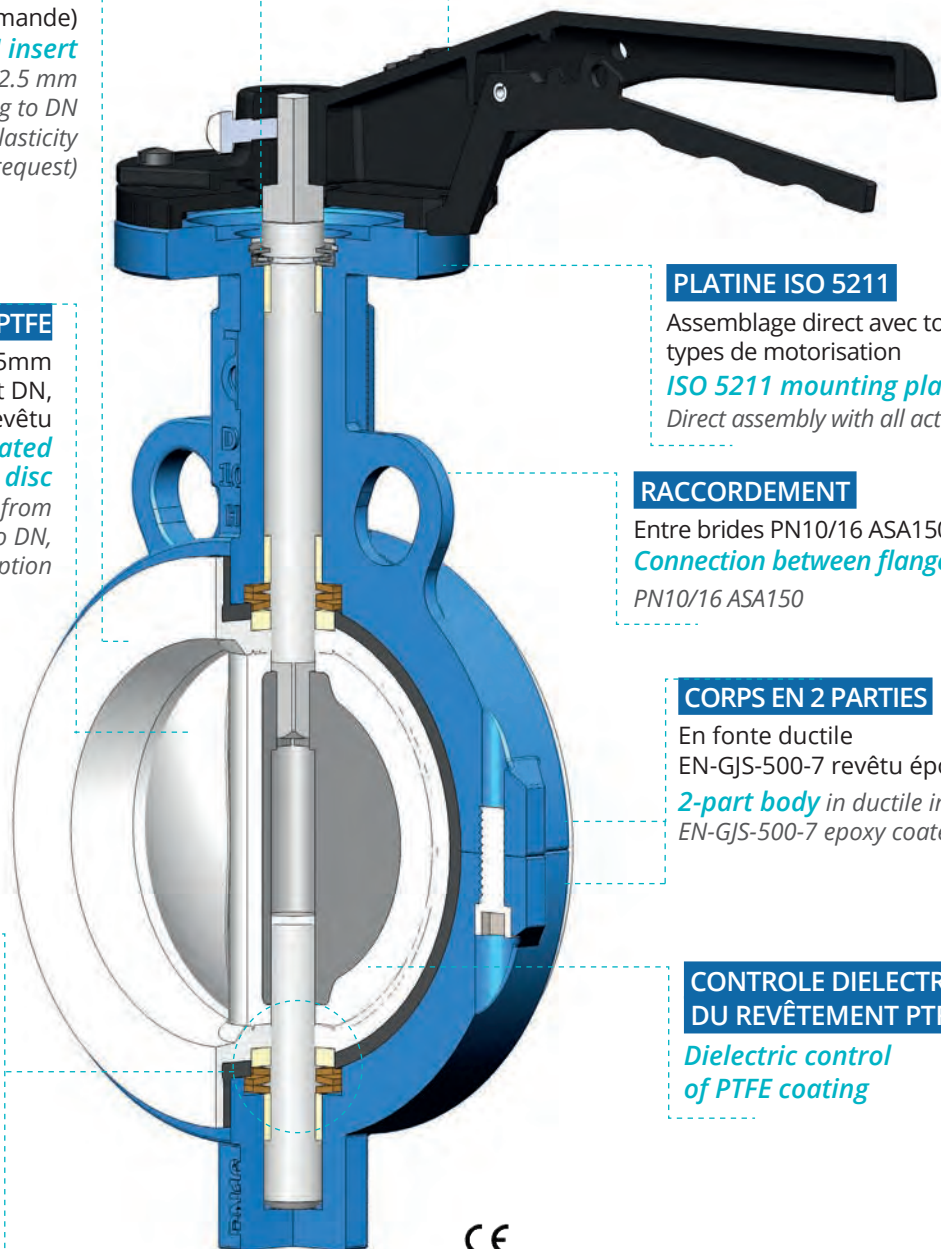
Entre brides PN10/16 ASA150
Connection between flanges
PN10/16 ASA150

CORPS EN 2 PARTIES

En fonte ductile EN-GJS-500-7 revêtu époxy
2-part body in ductile iron EN-GJS-500-7 epoxy coated

CONTROLE DIELECTRIQUE DU REVÊTEMENT PTFE

Dielectric control of PTFE coating



TECFLON PTFE



Acier Inox | Stainless steel

VANNE BUTTE

VP4449-02PTFE | VP4449-08PTFE

Vanne à papillon à oreilles de centrage - papillon inox - manchette PTFE
Wafer type butterfly valve - Stainless steel disc - PTFE sleeve



Modèle -08 / Model -08



Corps : Fonte ductile EN-GJS-500-7 (GGG50)
Papillon : Inox A351 CF8M
Manchette : PTFE avec âme FPM
Raccordement :
DN40-150 : entre brides PN10/16 - ASA150
DN200-300: PN10- ASA150
Pression de service : 16 bar jusqu'au DN150
au-delà 10 bar
Température de service : -20°C/+190°C

Body: Ductile iron EN-GJS-500-7 (GGG50)
Disc: Stainless steel A351 CF8M
Sleeve: PTFE with FPM insert
Connection:
DN40-150 :Between flanges PN10/16 - ASA150
DN200-300 : PN10 - ASA150
Working pressure: 16 bar to DN150
10 bar for over sizes
Working temperature: -20°C/+190°C

Triple-use handle up to DN100
With gearbox from DN125

Poignée triple fonctions jusqu'au DN100
Réducteur manuel à partir du DN125

ATEX sur demande / ATEX on demand



Poignée / Handle				
DN		L (mm)	Kg	Ref.
mm	inch			
40	1"1/2	47	2,75	VP4449-02PTFE0040
50	2"	47	2,75	VP4449-02PTFE0050
65	2"1/2	50	3,2	VP4449-02PTFE0065
80	3"	50	3,65	VP4449-02PTFE0080
100	4"	55,5	5,05	VP4449-02PTFE0100

Réducteur manuel / Gearbox				
DN		L (mm)	Kg	Ref.
mm	inch			
125	5"	59	10,55	VP4449-08PTFE0125
150	6"	59	11,35	VP4449-08PTFE0150
200	8"	63	18,80	VP4449-08PTFE0200
250	10"	73	26,60	VP4449-08PTFE0250
300	12"	81	40,47	VP4449-08PTFE0300

VP4649-02PTFE | VP4649-08PTFE

Vanne à papillon à oreilles taraudées - papillon inox - manchette PTFE
Lug type butterfly valve - Stainless steel disc - PTFE sleeve



Modèle -08 / Model -08



Corps : Fonte ductile EN-GJS-500-7 (GGG50)
Papillon : Inox A351 CF8M
Manchette : PTFE avec âme FPM
Raccordement : oreilles taraudées
DN40-150 : PN10/16
DN200-300: PN10
Pression de service : 16 bar jusqu'au DN150
au-delà 10 bar
Température de service : -20°C/+190°C

Body: Ductile iron EN-GJS-500-7 (GGG50)
Disc: Stainless steel A351 CF8M
Sleeve: PTFE with FPM insert
Connection: Lugged
DN40-150 : PN10/16
DN200-300: PN10
Working pressure: 16 bar to DN150 - 10 bar for over sizes
Working temperature: -20°C/+190°C

Triple-use handle up to DN100
With gearbox from DN125

Poignée triple fonctions jusqu'au DN100
Réducteur manuel à partir du DN125

ATEX sur demande / ATEX on demand



Poignée / Handle				
DN		L (mm)	Kg	Ref.
mm	inch			
40	1"1/2	47	3,47	VP4649-02PTFE0040
50	2"	47	3,47	VP4649-02PTFE0050
65	2"1/2	50	4,10	VP4649-02PTFE0065
80	3"	50	4,55	VP4649-02PTFE0080
100	4"	55,5	6,80	VP4649-02PTFE0100

Réducteur manuel / Gearbox				
DN		L (mm)	Kg	Ref.
mm	inch			
125	5"	59	13,09	VP4649-08PTFE0125
150	6"	59	13,45	VP4649-08PTFE0150
200	8"	63	23,85	VP4649-08PTFE0200
250	10"	73	32,40	VP4649-08PTFE0250
300	12"	81	50,67	VP4649-08PTFE0300

Accessoires disponibles : boîtiers fin de course, électrodistributeurs pages 57 à 64
Accessories : limit switches box, solenoid valve pages 57 up to 64






VP4449R-02PTFE | VP4449R-08PTFE

Vanne à papillon à oreilles de centrage - papillon et manchette PTFE
Wafer type butterfly valve - PTFE sleeve and disc



Corps : Fonte ductile EN-GJS-500-7 (GGG50)
Papillon : Inox A351 CF8M revêtu PTFE
Manchette : PTFE avec âme FPM
Raccordement : Entre brides PN10/16 jusqu'au DN150 - PN10 au-delà - ASA150
Pression de service : 16 bar jusqu'au DN150 - au-delà 10 bar
Température de service : -20°C/+190°C

Body: Ductile iron EN-GJS-500-7 (GGG50)
Disc: Stainless steel A351 CF8M PTFE coated
Sleeve: PTFE with FPM insert
Connection: Between flanges PN10/16 to DN150 - PN10 for larger sizes - ASA150
Working pressure: 16 bar up to DN150 - 10 bar for larger sizes
Working temperature: -20°C/+190°C

CE Modèle -08 / Model -08



Papillon PTFE
PTFE disc

Poignée / Handle				
DN		L (mm)	Kg	Ref.
mm	inch			
40	1"1/2	47	2,9	VP4449R-02PTFE0040
50	2"	47	2,9	VP4449R-02PTFE0050
65	2"1/2	50	3,36	VP4449R-02PTFE0065
80	3"	50	3,81	VP4449R-02PTFE0080
100	4"	55,5	5,3	VP4449R-02PTFE0100

Réducteur manuel / Gearbox				
DN		L (mm)	Kg	Ref.
mm	inch			
125	5"	59	10,93	VP4449R-08PTFE0125
150	6"	59	11,8	VP4449R-08PTFE0150
200	8"	63	19,8	VP4449R-08PTFE0200
250	10"	73	28	VP4449R-08PTFE0250
300	12"	81	42,6	VP4449R-08PTFE0300

 ATEX sur demande / ATEX on demand

VP4649R-02PTFE | VP4649R-08PTFE

Vanne à papillon à oreilles taraudées - papillon et manchette PTFE
Lug type butterfly valve - PTFE sleeve and disc



Corps : Fonte ductile EN-GJS-500-7 (GGG50)
Papillon : Inox A351 CF8M revêtu PTFE
Manchette : PTFE avec âme FPM
Raccordement : Oreilles taraudées PN10/16 jusqu'au DN150 - PN10 au-delà
Pression de service : 16 bar jusqu'au DN150 - au-delà 10 bar
Température de service : -20°C/+190°C

Body: Ductile iron EN-GJS-500-7 (GGG50)
Disc: Stainless steel A351 CF8M PTFE coated
Sleeve: PTFE with FPM insert
Connection: Lugged PN10/16 to DN150 - PN10 for larger sizes
Working pressure: 16 bar up to DN150 - 10 bar for larger sizes
Working temperature: -20°C/+190°C

CE Modèle -08 / Model -08



Papillon PTFE
PTFE disc

Poignée / Handle				
DN		L (mm)	Kg	Ref.
mm	inch			
40	1"1/2	47	3,85	VP4649R-02PTFE0040
50	2"	47	3,85	VP4649R-02PTFE0050
65	2"1/2	50	4,55	VP4649R-02PTFE0065
80	3"	50	5,05	VP4649R-02PTFE0080
100	4"	55,5	7,55	VP4649R-02PTFE0100

Réducteur manuel / Gearbox				
DN		L (mm)	Kg	Ref.
mm	inch			
125	5"	59	14,15	VP4649R-08PTFE0125
150	6"	59	14,55	VP4649R-08PTFE0150
200	8"	63	26,5	VP4649R-08PTFE0200
250	10"	73	36	VP4649R-08PTFE0250
300	12"	81	56,30	VP4649R-08PTFE0300

ACCESSOIRES POUR TECFLON
ACCESSORIES FOR TECFLON



REDUCTEUR -08 | -08 GEARBOX

Réducteur mécanique pour vanne papillon Tecflon
Gearbox for Tecflon butterfly valve



Corps : Aluminium
Indicateur visuel de position

Body: Aluminium
Visual indicator position

DN		Ref. TECFLON
mm	inch	
40-80	1"1/2-3"	300190357
100	4"	300190358



Livré avec vis, rondelle (A2)
Supplied with bolt, washer (A2)



Les volants peuvent être livrés démontés pour l'optimisation de l'envoi. Nous vous invitons à spécifier le montage du volant lors de votre commande si impératif (coût de montage en sus).
Handwheels are delivered disassembled for the optimization of the shipment. Please contact us if it is imperative that the valve is shipped with handwheel assembled.



NEW

EN OPTION | OPTION

Kit cadénassable pour réducteur 08
Padlock kit for gearbox 08

Système de blocage du réducteur par cadenas composé de :

- Plaque de verrouillage
- Bague de verrouillage
- Cadenas

Padlock blocking system for gearbox, comprised of:

- Locking plate
- Locking ring
- Padlock

DN		Ref.
mm	inch	
40-100	1"1/2-4"	300200107

*Pour cadénassage sur TECFLON DN supérieur, nous consulter
Larger TECFLON padlock kit on request

ACTIONNEUR POUR GAMME TECFLON | ACTUATOR FOR TECFLON RANGE

ACTIONNEUR PNEUMATIQUE POUR VANNE PAPILLON TECFLON

Pneumatic actuator for TECFLON butterfly valves



ΔP max : 16 bar
Construction: Aluminium
Pression de service : 6 bar (air lubrifié)
Butées réglables



Composé de :

- actionneur simple ou double effet
- douille d'adaptation
- arcade
- Came visuel de position

ΔP max: 16 bar
Construction: Aluminium
Working pressure: 6 bar (air lubricated)
Stop bolt retaining nut



ATEX ZONE 1 / 2 / 21 / 22

Comprised of:

- pneumatic actuator
- machined metal piece
- metal sheet bracket
- Visual position cam

DN		Double effet / Double-acting		Simple effet / Single-acting	
		Ref.KIT	Type	Ref.KIT	Type
40	1"1/2	300190342	TDA075	300190350	TSR105
50	2"				
65	2"1/2	300190343	TDA083	300190351	TSR125
80	3"				
100	4"	300190344	TDA092	300190352	TSR125
125	5"	300190345	TDA105	300190353	TSR160
150	6"	300190346	TDA125		
200	8"	300190347	TDA160	300190354	TSR210
250	10"	300190348	TDA160	300190355	TSR240
300	12"	300190349	TDA190	300190356	TSR270



Accessoires et options possibles pour vérin p.57 à 64
See accessories and options for pneumatic actuator p.57 up to 64





GAMME GAZ
GAS RANGE



Vanne à papillon idéale pour le sectionnement ou le réglage de réseaux de gaz. Certifiée NF ROB-GAZ et garantie 5 ans. Compatible pour les atmosphères explosives ATEX zone 1 & 21 (autres zones sur demande).
Wafer butterfly valve for closing or setting networks of gas. Valves with NF ROB-GAZ certification, 5 years warranty. Compatible with explosive atmosphere, Atex Zone 1 & 21 (other zones on request).

VP4449GZ-02NI | VP4448GZ-02NI

Vanne à papillon à oreilles de centrage à poignée pour usage Gaz
 Wafer butterfly valve with lever for Gas



Corps : Fonte ductile EN-GJS-500-7 (GGG50)
Papillon :
 DN 40-100 : Inox ASTM A351 CF8M
 DN 125-200 : Fonte ductile EN-GJS-500-7 revêtu Epoxy
Manchette : Nitrile gaz
Raccordement : Entre brides PN10/16/ASA150
Pression de service : Classe MOP 5
Température de service max : -20°C/+60°C
 ATEX Zone 1&21 et Zone 2&22 sur demande

Body: Ductile iron EN-GJS-500-7 (GGG50)
Disc:
 DN 40-100 : Stainless steel ASTM A 351 CF8M
 DN 125-200 : Ductile iron Epoxy coated EN-GJS-500-7
Sleeve: Gas NBR
Connection: Between flanges PN10/16/ASA150
Working pressure: MOP 5 Class
Maximum working temperature: -20°C/+60°C
 ATEX Zone 1&21 and Zone 2&22 on request



Certifié / certified : NF Rob-064-R3
Selon / according to : NF EN 13774, NF EN 549



Acier Inox | Stainless Steel

Papillon : Inox A351 CF8M Disc: Stainless steel A351 CF8M				
DN		L (mm)	Kg	Ref.
mm	inch			
40	1 1/2	33	2,4	VP4449GZ-02NI0040
50	2"	43	3,5	VP4449GZ-02NI0050
65	2 1/2	46	4,1	VP4449GZ-02NI0065
80	3"	46	4,7	VP4449GZ-02NI0080
100	4"	52	5,9	VP4449GZ-02NI0100



Fonte ductile | Ductile Iron

Papillon : Fonte ductile ENGJS-500-7 EPOXY Disc: Ductile iron ENGJS-500-7 EPOXY				
DN		L (mm)	Kg	Ref.
mm	inch			
125	5"	56	7,6	VP4448GZ-02NI0125
150	6"	56	8,7	VP4448GZ-02NI0150
200	8"	60	14	VP4448GZ-02NI0200

VP4649GZ-02NI | VP4648GZ-02NI

Vanne à papillon à oreilles taraudées à poignée pour usage Gaz
 Lug butterfly valve with lever for Gas



Corps : Fonte ductile EN-GJS-500-7 (GGG50)
Papillon :
 DN 50-100 : Inox ASTM A351 CF8M
 DN 125-200 : Fonte ductile EN-GJS-500-7 revêtu Epoxy
Manchette : Nitrile Gaz
Raccordement : Oreilles taraudées PN 0/16 - DN 200 PN10
Pression de service max : Classe MOP 5
Température de service max : -20°C/+60°C
 ATEX Zone 1&21 et Zone 2&22 sur demande

Body: Ductile Iron EN-GJS-500-7 (GGG50)
Disc:
 DN 50-100 : Stainless steel ASTM A 351 CF8M
 DN 125-200 : Ductile iron Epoxy coated EN-GJS-500-7
Sleeve: Gas NBR
Connection: Lug type PN10/16 - DN 200 PN10
Maximum working pressure: MOP 5 class
Maximum working temperature: -20°C/+60°C
 ATEX Zone 1&21 and Zone 2&22 on request



Certifié / certified : NF Rob-064-R3
Selon / according to : NF EN 13774, NF EN 549



Acier Inox | Stainless steel

Papillon : Inox A351 CF8M Disc: Stainless Steel A351 CF8M				
DN		L (mm)	Kg	Ref.
mm	inch			
40	1 1/2	33	2,7	VP4649GZ-02NI0040
50	2"	43	3,96	VP4649GZ-02NI0050
65	2 1/2	46	4,31	VP4649GZ-02NI0065
80	3"	46	5,52	VP4649GZ-02NI0080
100	4"	52	6,98	VP4649GZ-02NI0100



Fonte ductile | Ductile Iron

Papillon : Fonte ductile ENGJS-500-7 epoxy Disc: Ductile iron ENGJS-500-7 epoxy				
DN		L (mm)	Kg	Ref.
mm	inch			
125	5"	56	11,4	VP4648GZ-02NI0125
150	6"	56	11,6	VP4648GZ-02NI0150
200	8"	60	18,9	VP4648GZ-02NI0200





GAMME INDUSTRIE
INDUSTRIAL RANGE



VANNE
BUTTE



Vanne à papillon idéale pour les fluides de réseau de vapeur, chauffage urbain, certifiée sécurité feu.
Wafer butterfly valve for heating, steam, certified fire safe.

VP5451-02 | VP5451-08

Acier - Sécurité feu | Carbon steel - Fire safe

Vanne à papillon haute performance à oreilles de centrage - double excentration - Acier - SECURITE FEU - ISO PN25

High performance wafer butterfly valve - double eccentric - Steel - FIRE SAFE - ISO PN25



Corps : ASTM A216 WCB
Papillon : ASTM A351 CF8M
Siège : PTFE + 15 % graphite
Raccordement : Entre-bridés PN25
Pression de service max : 25 bar
Température de service max : -20°C / +210°C
Commande par levier, avec réducteur au dessus du DN 150
ATEX Groupe II Cat. 2 G/2D Zone 1 & 21 Zone 2 & 22

Body: ASTM A216 WCB
Disc: ASTM A351 CF8M
Seat: PTFE +15% graphite
Connection: Wafer PN 25
Maximum working pressure: 25 bar
Maximum working temperature: -20°C / +210°C
Lever operator up through DN 150,
Gearbox operating above DN 150
ATEX Group II Category 2 G/2D Zone 1 & 21 Zone 2 & 22

DN		L (mm)	Kg	Poignée / Handle
mm	inch			Ref.
50	2"	43	4,6	VP5451-02PTF0050
65	2 1/2"	46	5,2	VP5451-02PTF0065
80	3"	47	7,8	VP5451-02PTF0080
100	4"	53	9,8	VP5451-02PTF0100
125	5"	57	13,6	VP5451-02PTF0125
150	6"	56	15,1	VP5451-02PTF0150

Réducteur / Gearbox

200	8"	62	29,5	VP5451-08PTF0200
250	10"	68	41	VP5451-08PTF0250
300	12"	78	70	VP5451-08PTF0300
350	14"	78	88	VP5451-08PTF0350
400	16"	102	142	VP5451-08PTF0400
450	18"	114	165	VP5451-08PTF0450
500	20"	127	198	VP5451-08PTF0500



VP6451-02 | VP6451-08

Inox - Sécurité feu | Stainless Steel - Fire safe

Vanne à papillon haute performance à oreilles de centrage - double excentration - Inox - SECURITE FEU - ISO PN25

High performance wafer butterfly valve - double eccentric - Stainless steel - ISO PN 25



Corps : ASTM A351 CF8M
Papillon : ASTM A351 CF8M
Siège : PTFE + 15 % graphite
Raccordement : Entre-bridés PN25
Pression de service max : 25 bar
Température de service max : -20°C / +210°C
Commande par levier, avec réducteur au dessus du DN 150
ATEX Groupe II Cat. 2 G/2D Zone 1 & 21 Zone 2 & 22

Body: ASTM A351 CF8M
Disc: ASTM A351 CF8M
Seat: PTFE +15% graphite
Connection: Wafer PN25
Maximum working pressure: 25 bar
Maximum working temperature: -20°C / +210°C
Lever operator up through DN 150,
Gearbox operating above DN 150
ATEX Group II Category 2 G/2D Zone 1 & 21 Zone 2 & 22

DN		L (mm)	Kg	Poignée / Handle
mm	inch			Ref.
50	2"	43	4,6	VP6451-02PTF0050
65	2 1/2"	46	5,2	VP6451-02PTF0065
80	3"	47	7,8	VP6451-02PTF0080
100	4"	53	9,8	VP6451-02PTF0100
125	5"	57	13,6	VP6451-02PTF0125
150	6"	56	15,1	VP6451-02PTF0150

Réducteur / Gearbox

200	8"	62	29,5	VP6451-08PTF0200
250	10"	68	41	VP6451-08PTF0250
300	12"	78	70	VP6451-08PTF0300
350	14"	78	88	VP6451-08PTF0350
400	16"	102	142	VP6451-08PTF0400
450	18"	114	165	VP6451-08PTF0450
500	20"	127	198	VP6451-08PTF0500



VP5441-02 | VP5441-08

Acier ISO PN20 ASA 150 - Sécurité feu | ASA 150 Carbon steel - Fire safe

Vanne à papillon haute performance à oreilles de centrage - double excentration - Acier - ISO PN20 ASA 150
High performance wafer butterfly valve - double eccentric - Steel - ISO PN20 ASA 150



Corps : ASTM A216 WCB
Papillon : ASTM A351 CF8M
Siège : PTFE +15% graphite
Raccordement : Entre-brides ASA150
Pression de service max : 20 bar
Température de service max : -20°C /+210°C
Commande : par levier, avec réducteur au dessus du DN150
ATEX Groupe II Cat. 2 G/2D Zone 1 & 21 Zone 2 & 22

Body: ASTM A216 WCB
Disc: ASTM A351 CF8M
Seat: PTFE +15% graphite
Connection: Wafer ASA150
Maximum working pressure: 20 bar
Maximum working temperature: -20°C/ +210°C
Lever operator up through DN 150,
Gearbox operating above DN 150
ATEX Group II Category 2 G/2D Zone 1 & 21 Zone 2 & 22



DN		L (mm)	Kg	Poignée / Handle	
mm	inch			Ref.	
50	2"	43	4,6	VP5441-02PTF0050	
65	2 1/2"	46	5,2	VP5441-02PTF0065	
80	3"	47	7,8	VP5441-02PTF0080	
100	4"	53	9,8	VP5441-02PTF0100	
125	5"	57	13,6	VP5441-02PTF0125	
150	6"	56	15,1	VP5441-02PTF0150	

Réducteur / Gearbox

200	8"	62	29,5	VP5441-08PTF0200
250	10"	68	41	VP5441-08PTF0250
300	12"	78	70	VP5441-08PTF0300
350	14"	78	88	VP5441-08PTF0350
400	16"	102	142	VP5441-08PTF0400
450	18"	114	165	VP5441-08PTF0450
500	20"	127	198	VP5441-08PTF0500

VP6441-02 | VP6441-08

Inox ISO PN20 ASA 150 - Sécurité feu | ASA 150 SS - Fire safe

Vanne à papillon haute performance à oreilles de centrage - double excentration - Inox - ISO PN20 ASA 150
High performance wafer butterfly valve - double eccentric - Stainless steel - ISO PN20 ASA 150



Corps : ASTM A351 CF8M
Papillon : ASTM A351 CF8M
Siège : PTFE +15% graphite
Raccordement : Entre-brides ASA150
Pression de service max : 20 bar
Température de service max : -20°C /+210°C
Commande : par levier, avec réducteur au dessus du DN150
ATEX Groupe II Cat. 2 G/2D Zone 1 & 21 Zone 2 & 22

Body: ASTM A351 CF8M
Disc: ASTM A351 CF8M
Seat: PTFE +15% graphite
Connection: Wafer ASA150
Maximum working pressure: 20 bar
Maximum working temperature: -20°C/ +210°C
Lever operator up through DN150,
gearbox operating above DN150
ATEX Group II Category 2 G/2D Zone 1 & 21 Zone 2 & 22



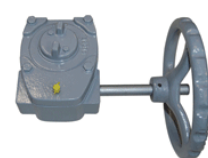
DN		L (mm)	Kg	Poignée / Handle	
mm	inch			Ref.	
50	2"	43	4,6	VP6441-02PTF0050	
65	2 1/2"	46	5,2	VP6441-02PTF0065	
80	3"	47	7,8	VP6441-02PTF0080	
100	4"	53	9,8	VP6441-02PTF0100	
125	5"	57	13,6	VP6441-02PTF0125	
150	6"	56	15,1	VP5441-02PTF0150	

Réducteur / Gearbox

200	8"	62	29,5	VP6441-08PTF0200
250	10"	68	41	VP6441-08PTF0250
300	12"	78	70	VP6441-08PTF0300
350	14"	78	88	VP6441-08PTF0350
400	16"	102	142	VP6441-08PTF0400
450	18"	114	165	VP6441-08PTF0450
500	20"	127	198	VP6441-08PTF0500

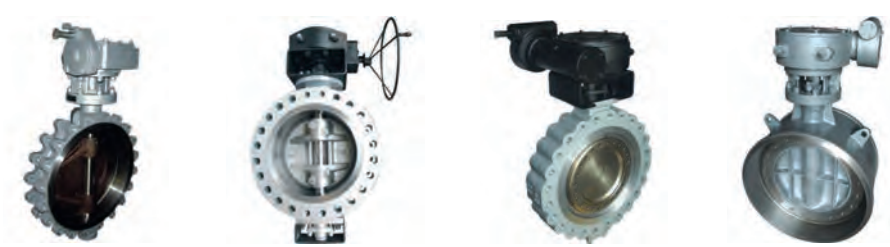
VPREDUCT-TECSUP

Réducteur manuel pour vannes haute performance
Gearbox for high performance butterfly valves



DN		Ref.
mm	inch	
50-65	2"-2 1/2"	VPREDUCT-TECSUP050
80	3"	VPREDUCT-TECSUP080
100	4"	VPREDUCT-TECSUP100
125-150	5"-6"	VPREDUCT-TECSUP125

VANNE PAPILLON TRIPLE EXCENTRATION | TRIPLE OFFSET TYPE BUTTERFLY VALVE



Modèles à bride, entre bride, oreilles taraudées et à souder. Consultez-nous !
Lugged, flanged and welded types. Consult us!



VP5447-02 | VP6447-02

Etanchéité relative | Relative tightness

Vanne à papillon à oreilles de centrage - métal / métal - PN16 - étanchéité relative
 Wafer butterfly valve - metal / metal - PN16 - Relative seal



VP5447-02 :
 Corps : A216WCB
 Papillon : ASTM A351 CF8M
 jusqu'au DN100 - au delà Fonte ductile EN-GJS-500-7

VP6447-02 :
 Corps : ASTM A351 CF8M
 Papillon : ASTM A351 CF8M

Body: A216WCB
Disc: ASTM A351 CF8M up through DN100 - above DN 125 ductile iron EN-GJS-500-7

Body: ASTM A351 CF8M
Disc: ASTM A351 CF8M

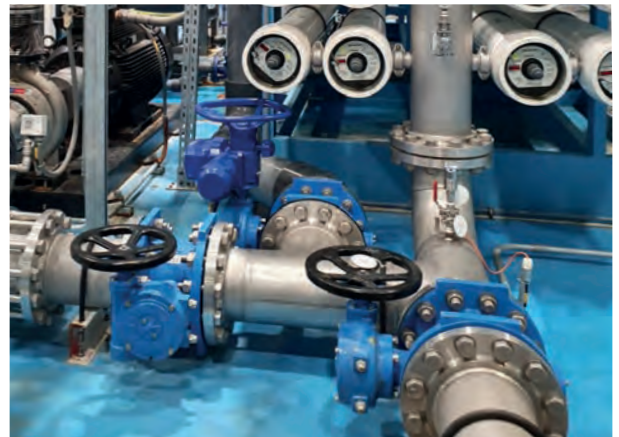
Tightness : Metal / metal
 Not 100% tight, loss factor : 1,5 to 2% of KVS

Connection:
 Wafer PN10/16/ASA150
Maximum working pressure: 16 bar
Maximum working temperature: +20°C / +350 °C
ATEX Group II Category 2 G/2D Zone 1 & 21 Zone 2 & 22

Etanchéité : Métal / métal
 Non étanche, coefficient de perte : 1,5 à 2% du KVS
Raccordement :
 Entre-brides PN10/16/ASA150
 Pression de service max : 16 bar
 Température max : +20°C / +350°C
ATEX Group II Cat. 2 G/2D Zone 1 & 21 Zone 2 & 22



DN		T L (mm)	Kg	Acier / Steel	Inox / Stainless steel
mm	inch			Ref.	Ref.
40	1 1/2	33	3,1	VP5447-02MM0040	VP6447-02MM0040
50	2"	43	4,27	VP5447-02MM0050	VP6447-02MM0050
65	2 1/2	46	5,27	VP5447-02MM0065	VP6447-02MM0065
80	3"	46	5,78	VP5447-02MM0080	VP6447-02MM0080
100	4"	52	7,4	VP5447-02MM0100	VP6447-02MM0100
125	5"	56	10,15	VP5447-02MM0125	VP6447-02MM0125
150	6"	56	11,74	VP5447-02MM0150	VP6447-02MM0150
200	8"	60	19,6	VP5447-02MM0200	VP6447-02MM0200



**VANNES
 À PAPILLON
 TECOFI®
 BUTTERFLY
 VALVES**



NOTICE D'INSTALLATION ET D'UTILISATION USE AND INSTALLATION NOTE



VANNES À PAPILLON BUTTERFLY VALVES

INSTALLATION ET MISE EN SERVICE

Vérifier que le robinet peut s'insérer entre les brides sans difficulté et sans endommager la manchette. (Voir Fig. 2)
Positionner le papillon 1/4 ouvert pour effectuer le montage. (Voir Fig. 3)
Ne pas utiliser de joint entre le robinet à papillon et les brides. (Voir Fig. 5)
Vérifier que le diamètre intérieur des brides est conforme aux dimensions du tableau «Diamètre intérieur des brides» (Voir Fig. 1). Pour les robinets à papillon de grandes dimensions avec actionneur (Gamme TECLARGE), dans le cas où les robinets sont installés verticalement, il est nécessaire de procéder par étapes :

1. Monter les actionneurs avec les robinets à l'horizontale.
2. Ensuite, positionner l'ensemble monté «robinet + actionneur» à la verticale.

Si le montage des actionneurs est réalisé sur les robinets en position verticale, il peut y avoir des problèmes de descente du papillon par rapport à la manchette et ainsi créer une fuite. Avant la mise en service, vérifiez que l'indicateur sur la commande ou que la position de la poignée, indique bien la position du papillon.
Sur une installation neuve ou après une maintenance, le circuit devra être rincé avec le robinet à papillon totalement ouvert afin d'évacuer les corps solides qui risqueraient d'endommager les parties internes du robinet.

INSTALLATION AND COMMISSIONING

Verify that the valve can fit between flanges without any trouble and without damaging the sleeve. (See Fig. 2)
Put the disc in 1/4 open position before carrying out the assembly. (See Fig. 3)
Do not use gasket between the butterfly valve and the flanges. (See Fig. 5)
Verify that the internal diameter of flanges is in compliance with the dimensions of the table «internal diameter of flanges» (See Fig. 1).
For large-diameter butterfly valves with actuators (Range TECLARGE), in the case when valves are vertically installed, it is necessary to follow the following steps:

1. Assemble actuators with valves horizontal.
2. Then place the valve-actuator assembly in the upright position. If actuators are assembled while the valve is upright, the disc may descend in regards to the sleeve and can cause leaks.

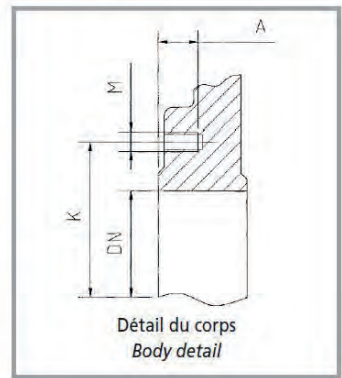
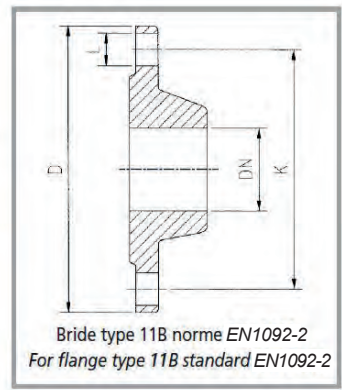
Before the start-up, verify that the indicator on the actuator or the position of the handle correctly indicates the position of the disc.
During installation or after maintenance, the circuit must be rinsed with the butterfly completely open to evacuate any solid particles that could risk damaging the internal parts of the valve.

! Le montage des vannes à papillon sur collets PVC n'est possible que si les collets sont chanfreinés.

collars are beveled.

RACCORDEMENT ISO PN 10 POUR BRIDE TYPE 11B / FLANGED ISO PN 10 FOR FLANGE TYPE 11B

DN	Raccordement de la bride Flange connection			Equipement pour montage entre 2 brides Equipment for assembling between 2 flanges					
	Diamètre extérieur Ø D External diameter	Diamètre de perçage des trous Ø K Drilling circle	Nombre de trous x Ø L Hole number x Ø L	TECFLY / TECLARGE		TECFLY LUG	TECLARGE FL		
				Boulons (rouge) Bolt (red) Number x M-lg Number x M-lg	Vis (jaune) Screw (yellow) Number x M-lg Number x M-lg	Vis (jaune) Screw (yellow) Number x M-lg Number x M-lg	Boulons (rouge) Bolt (red) Number x M-lg Number x M-lg	Vis (jaune) Screw (yellow) Number x M-lg Number x M-lg	
mm	inch	mm	mm	TYPE 1 mm	TYPE 3 mm	TYPE 2 mm	TYPE 3 mm	TYPE 3 mm	
40	1" 1/2	150	110	4 x 18	4 x M 16-100	-	8 x M 16-30	-	-
50	2"	165	125	4 x 18	4 x M 16-110	-	8 x M 16-35	-	-
65	2" 1/2	185	145	4 x 18	4 x M 16-120	-	8 x M 16-35	-	-
80	3"	200	160	8 x 18	8 x M 16-120	-	16 x M 16-40	-	-
100	4"	220	180	8 x 18	8 x M 16-130	-	16 x M 16-40	-	-
125	5"	250	210	8 x 18	8 x M 16-130	-	16 x M 16-45	-	-
150	6"	285	240	8 x 22	8 x M 20-140	-	16 x M 20-45	-	-
200	8"	340	295	8 x 22	8 x M 20-150	-	16 x M 20-50	-	-
250	10"	395	350	12 x 22	12 x M 20-160	-	24 x M 20-55	-	-
300	12"	445	400	12 x 22	12 x M 20-170	-	24 x M 20-60	-	-
350	14"	505	460	16 x 22	16 x M 20-170	-	-	16 x M 20-170	-
400	16"	565	515	16 x 26	16 x M 24-220	-	-	16 x M 24-200	-
450	18"	615	565	20 x 26	20 x M 24-130	-	-	20 x M 24-220	-
500	20"	670	620	20 x 26	20 x M 24-230	-	-	20 x M 24-240	-
600	24"	780	725	20 x 30	20 x M 27-260	-	-	20 x M 27-260	-
700	28"	895	840	24 x 30	24 x M 27-270	-	-	20 x M 27-280	8 x M 27-70
800	32"	1015	950	24 x 33	24 x M 30-300	-	-	20 x M 30-300	8 x M 30-120
900	36"	1115	1050	28 x 33	24 x M30-320	8 x M30-70	-	24 x M30-320	8 x M 30-70
1000	40"	1230	1160	28 x 36	24 x M 33-340	8 x M 33-70	-	24 x M 33-340	8 x M 33-70
1200	48"	1455	1380	32 x 39	28 x M 36-390	8 x M 36-80	-	28 x M 36-390	8 x M 36-75





Les vis en jaune
Screws in yellow



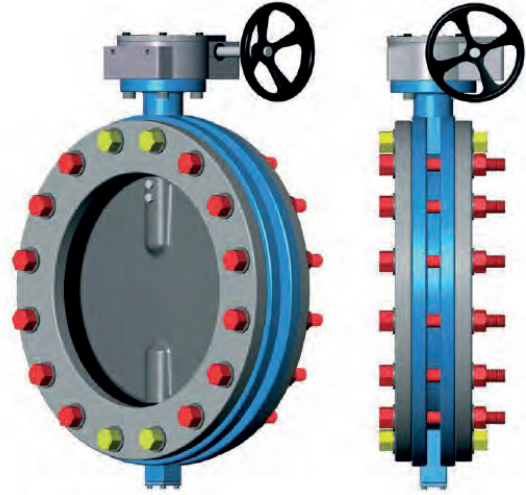
Les boulons en rouge
Bolts in red



Montage type 1
Avec ensemble boulons.
Assembling type 1
With bolts set.



Montage type 2
Avec vis.
Assembling type 2
With screws.



Montage type 3
Avec vis et ensemble boulons .
Assembling type 3
With screws and bolts set.

DIAMÈTRE INTÉRIEUR DES BRIDES / FLANGE INTERNAL DIAMETER

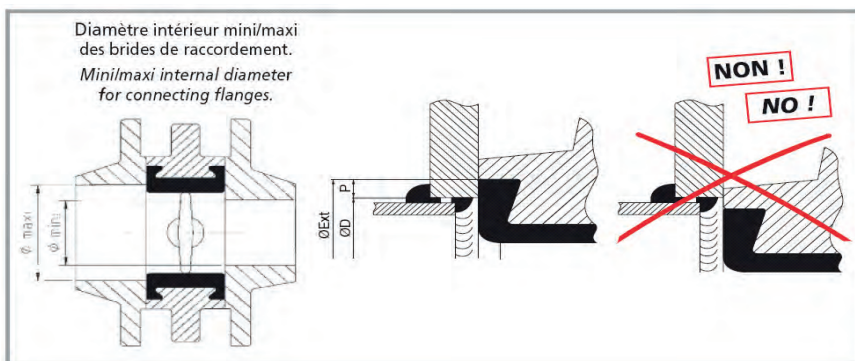


Fig.1

DN		Diamètre intérieur des brides Flange internal diameter	
mm	inch	mini	maxi
40	1" 1/2	25	50
50	2"	36	63
65	2" 1/2	50	78
80	3"	66	91
100	4"	92	116
125	5"	118	147
150	6"	143	171
200	8"	196	223
250	10"	246	277
300	12"	297	328
350	14"	324	359
400	16"	376	412
450	18"	425	462
500	20"	475	514
600	24"	572	630
700	28"	675	722
800	32"	772	842
900	36"	841	925
1000	40"	941	1025
1200	48"	1170	1235



NOTICE D'INSTALLATION ET D'UTILISATION USE AND INSTALLATION NOTE



Laisser suffisamment de place entre les deux brides pour pouvoir introduire le robinet sans endommager la manchette.

Leave enough space between the two flanges to allow valve installation without damaging the sleeve.

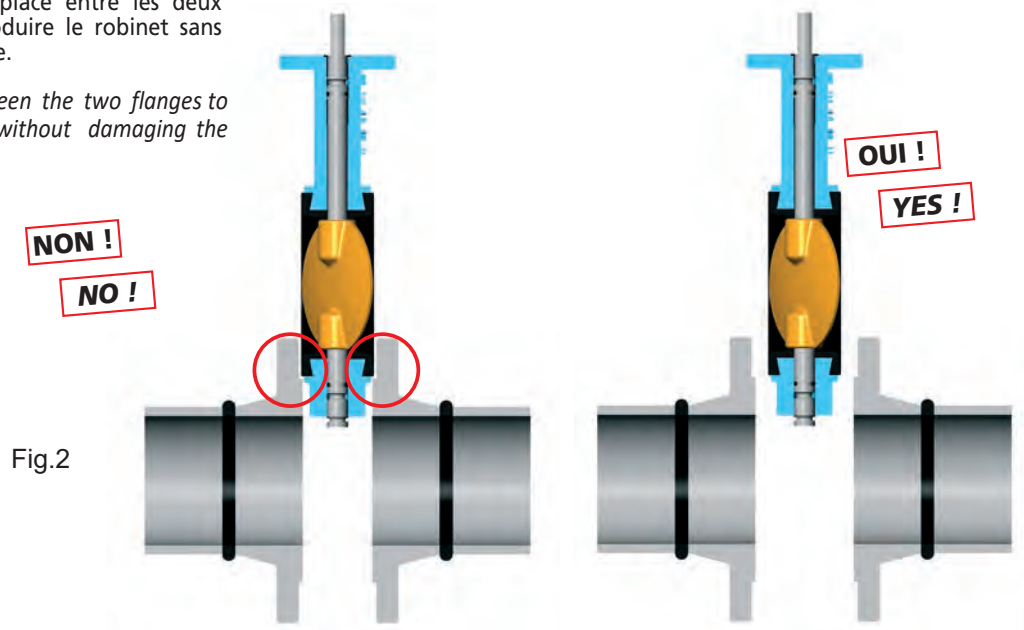


Fig.2

Ne pas monter le robinet à papillon en position fermée. La manchette risque d'être déformée provoquant serrage, blocage et fuite.

Do not assemble the butterfly valve in closed position to avoid sleeve deformation causing high tightening, sticking and leakage.

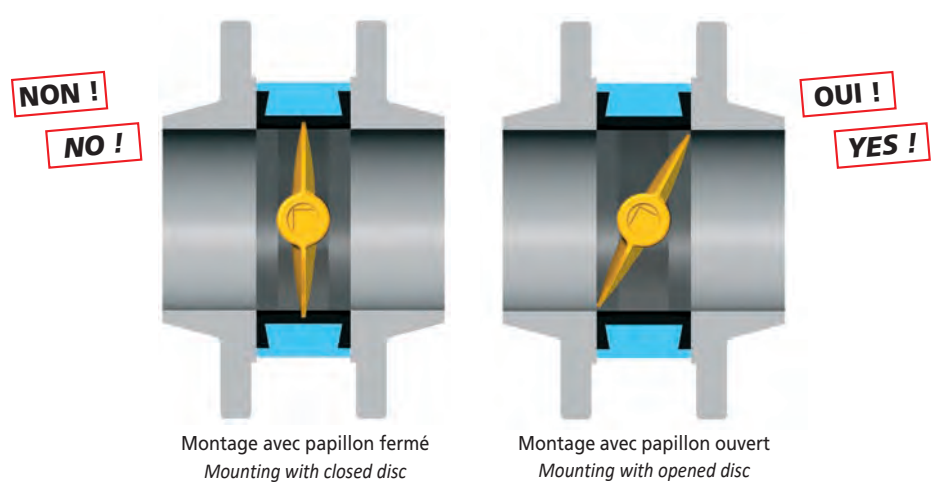


Fig.3

Montage avec papillon fermé
Mounting with closed disc

Montage avec papillon ouvert
Mounting with opened disc

Des brides non conformes peuvent bloquer le papillon et/ou créer des turbulences dans la canalisation.

Unsuitable flanges can jam the disc and/or create turbulence in the pipe.

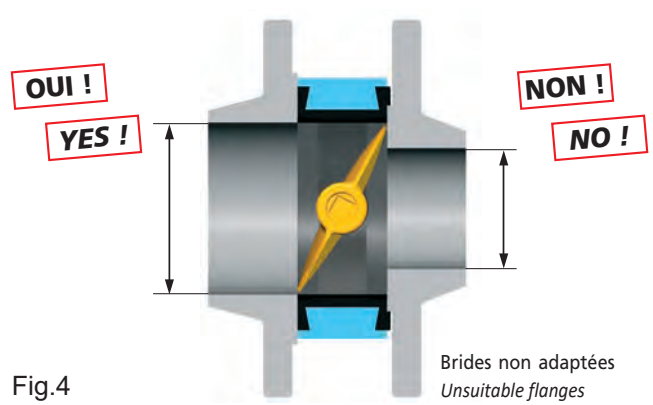
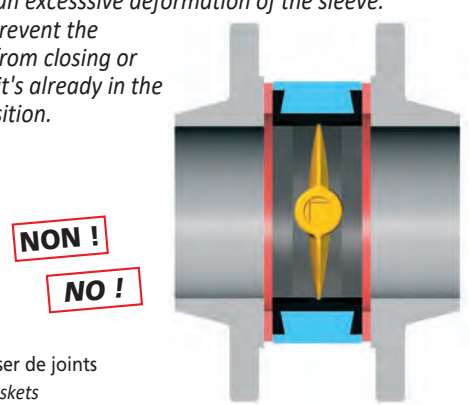


Fig.4

La pose d'un joint entre la bride et la manchette entraîne une déformation excessive de cette dernière. Cela a pour effet d'empêcher la fermeture du papillon ou de le bloquer s'il est déjà en position fermée.

The installation of a gasket between the flange and the sleeve results in an excessive deformation of the sleeve.

This can prevent the butterfly from closing or block it if it's already in the closed position.



Ne pas utiliser de joints
Don't use gaskets

Fig.5





Démontage aval

Pour le montage sous pression de robinets à papillon à oreilles lisses, la pression de service ne doit pas dépasser 0,4 fois le PN.

Downstream dismantling

When mounting smooth lugged butterfly valves under pressure, the working pressure must not exceed 0.4 times the PN.

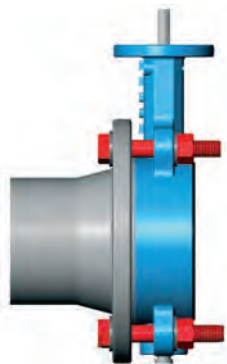


Fig.6

Parallélisme

Veiller au bon parallélisme des brides.

Alignment

Check that the flanges are parallel.

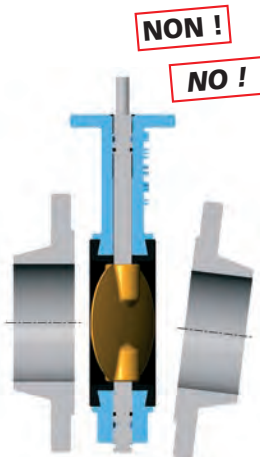


Fig.7

Serrer les boulons progressivement afin d'obtenir un contact métal/métal.

Progressively tighten the bolts in order to make contact between the body and the flange.

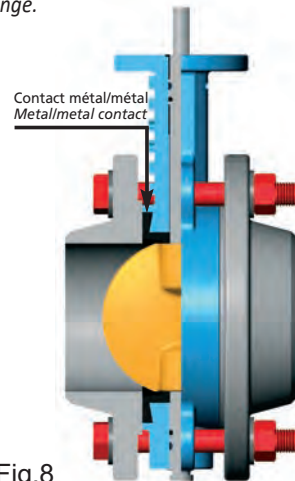


Fig.8

Remplacement d'une vanne à passage direct par un robinet à papillon et une manchette de compensation.

Replacing a gate valve with a butterfly valve with compensation sleeve.

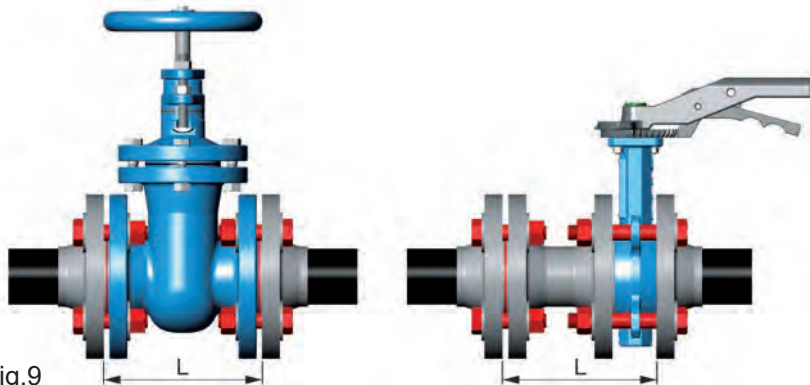


Fig.9

Nettoyer les tuyauteries et les portées de joints.

Clean pipes and flange surfaces

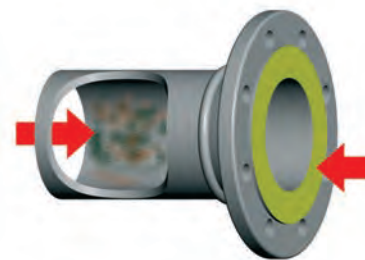


Fig.10

Soudure

Ne jamais souder les brides à proximité des robinets à papillon montés. Risque de dégâts importants et irrémédiables sur la manchette et de dépôts sur le papillon.

Welding

Never weld flanges near the installed butterfly valve. Risk of significant and irreparable damage to the sleeve and material deposit on the disc.

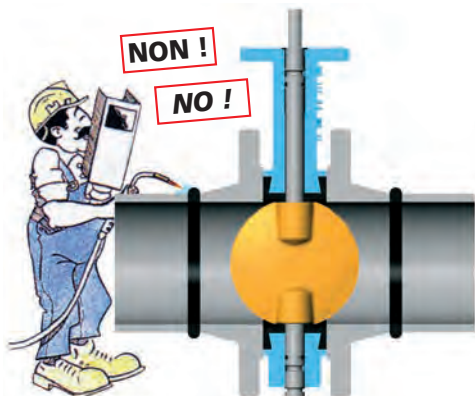
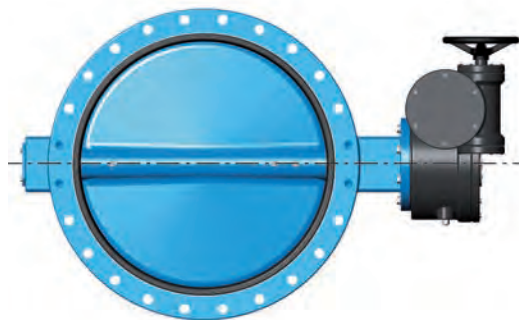


Fig.11

Conseil pour le montage de robinets à papillon de gros diamètre.

Advice for mounting large-diameter butterfly valves.



Monter les robinets de gros diamètre, de préférence, avec leurs axes horizontaux.

Install the large-diameter valve preferably with the stem in the horizontal position.

Fig.12

